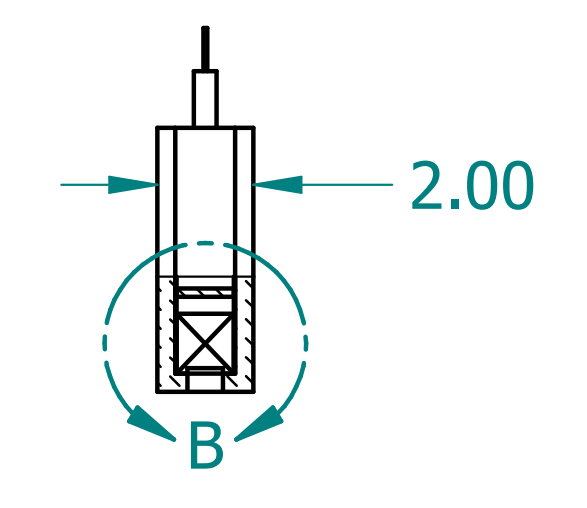
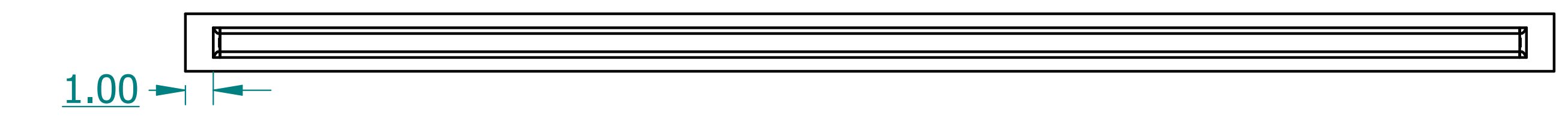
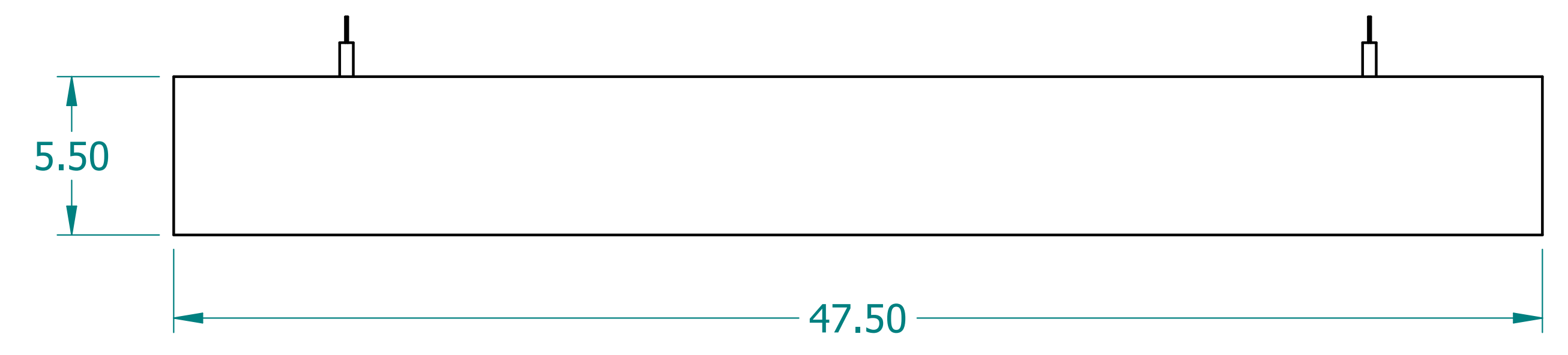
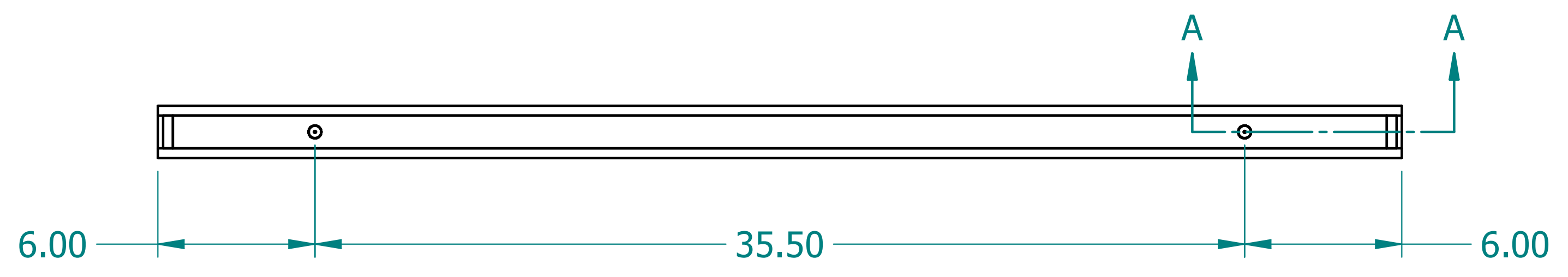
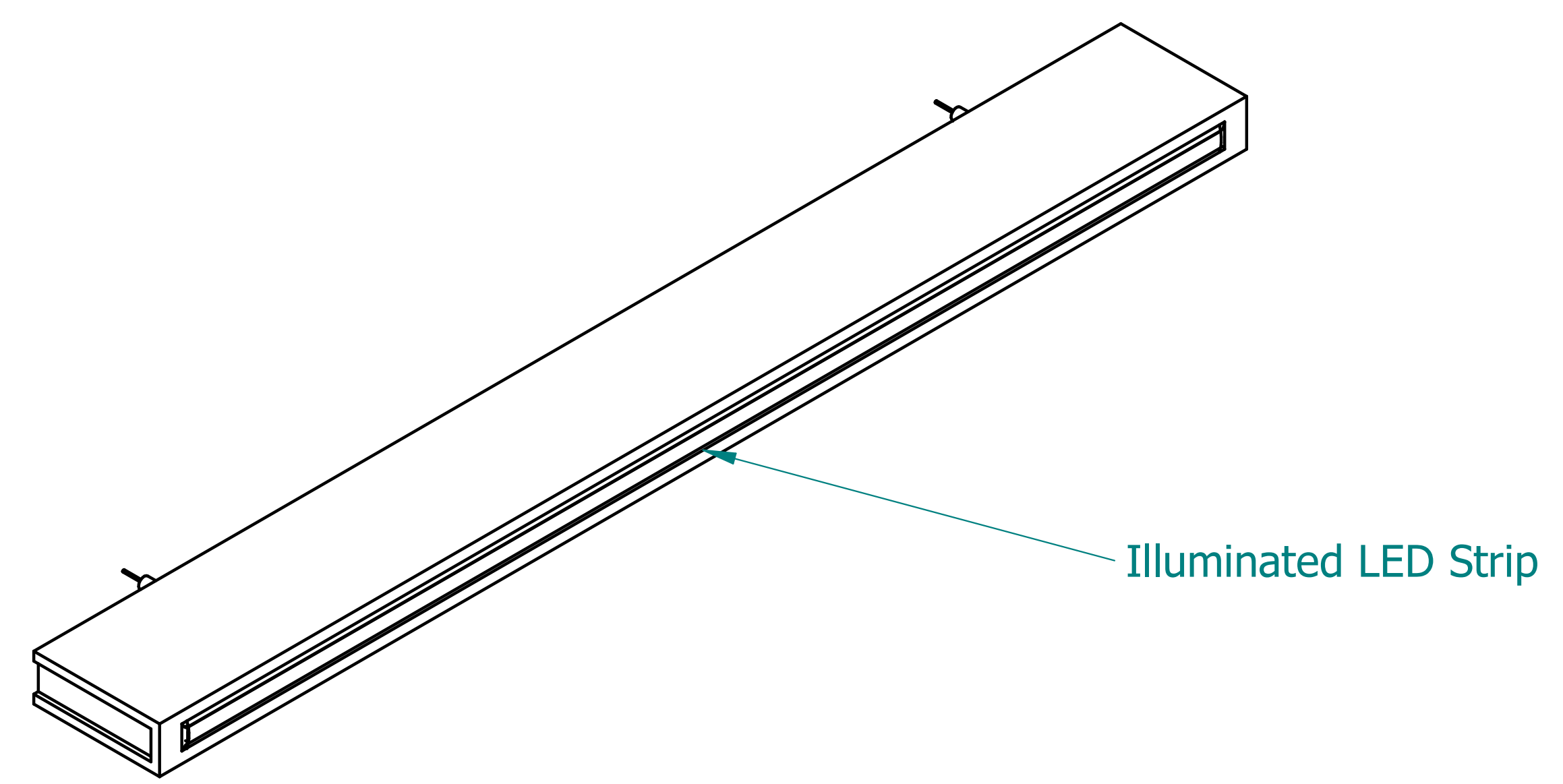
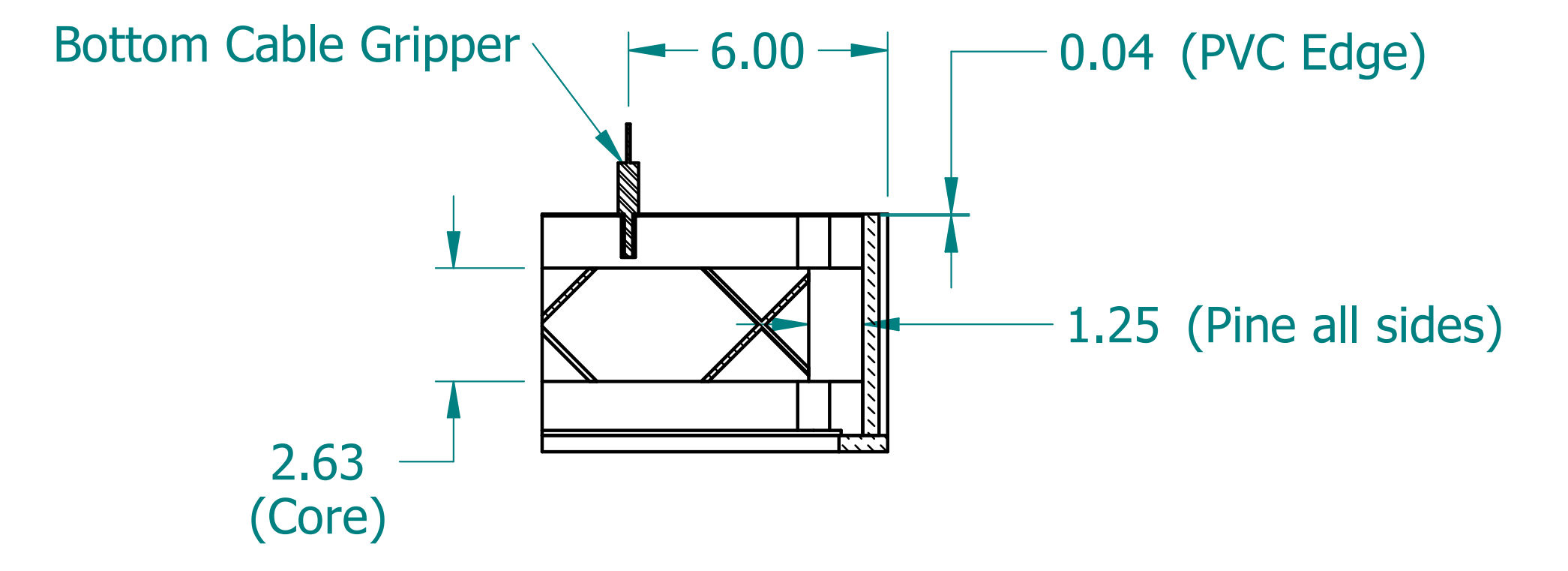


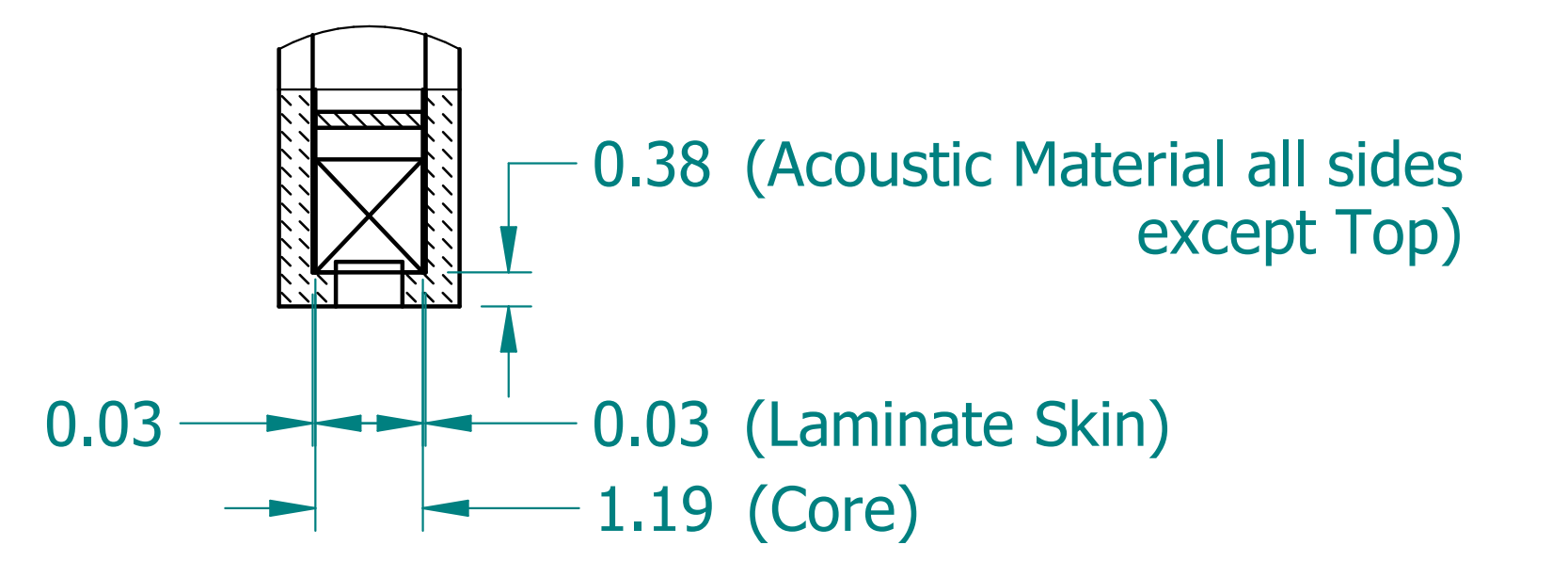
REVISION HISTORY			
REV.	DESCRIPTION	DATE	APPROVED



SECTION A-A



DETAIL B



NAME	DATE	
DRAWN CBS	11/16/23	
ENG APPR CBS	11/16/23	
<p>UNLESS OTHERWISE SPECIFIED DIMENSIONS ARE IN 'INCHES'          ANGLES ±0.8° ; 2 PL ±0.040 ; 3 PL ±0.020</p>		TITLE <b>Illuminated Acoustic Blade</b>
SUBTITLE		48"x6"x2"
PART NO:	IXABlade-021-XX	REV. 1.0
SIZE: 34"x22"	SCALE: 0.25	SHEET 1 OF 1
FILE NAME: Illuminated Acoustic Blade (48.6.2).dft		