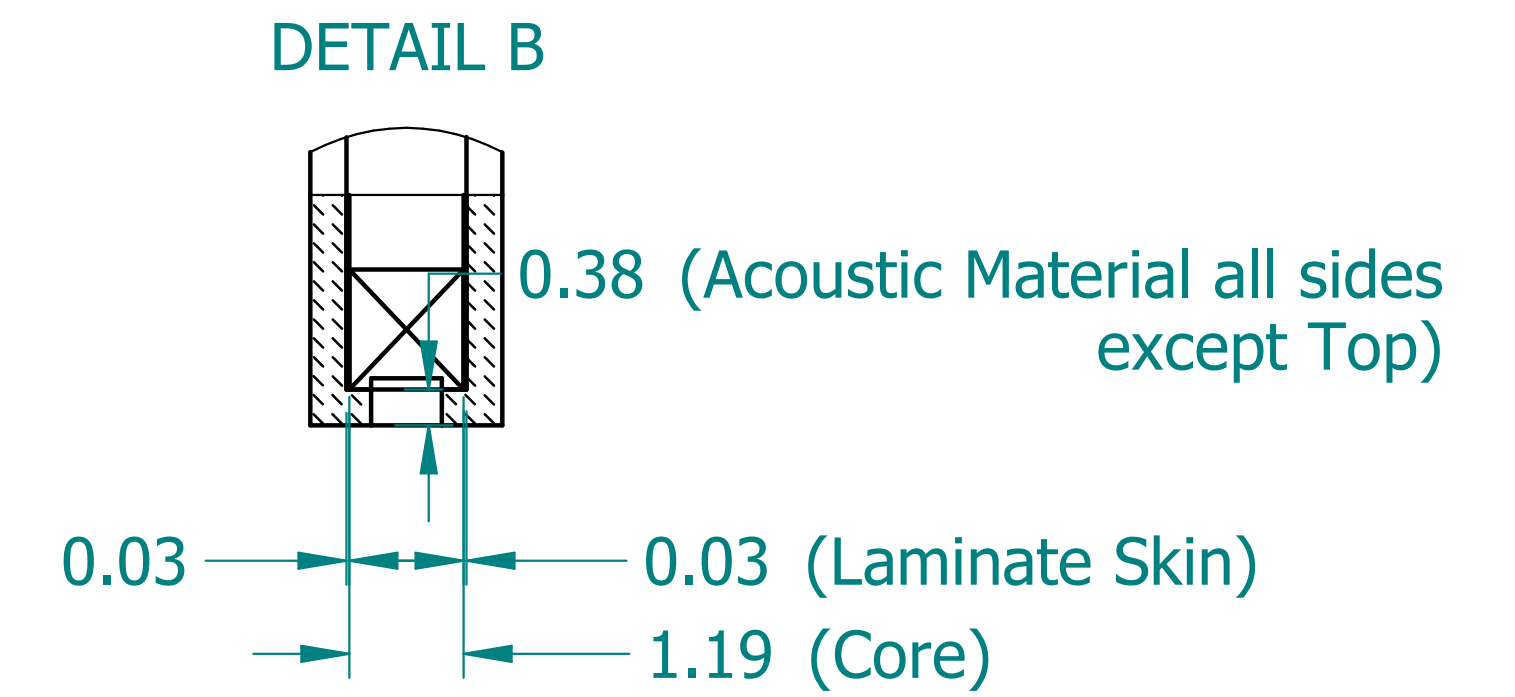
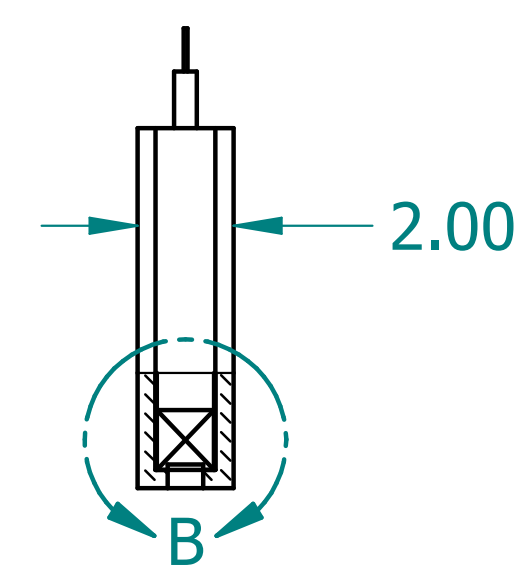
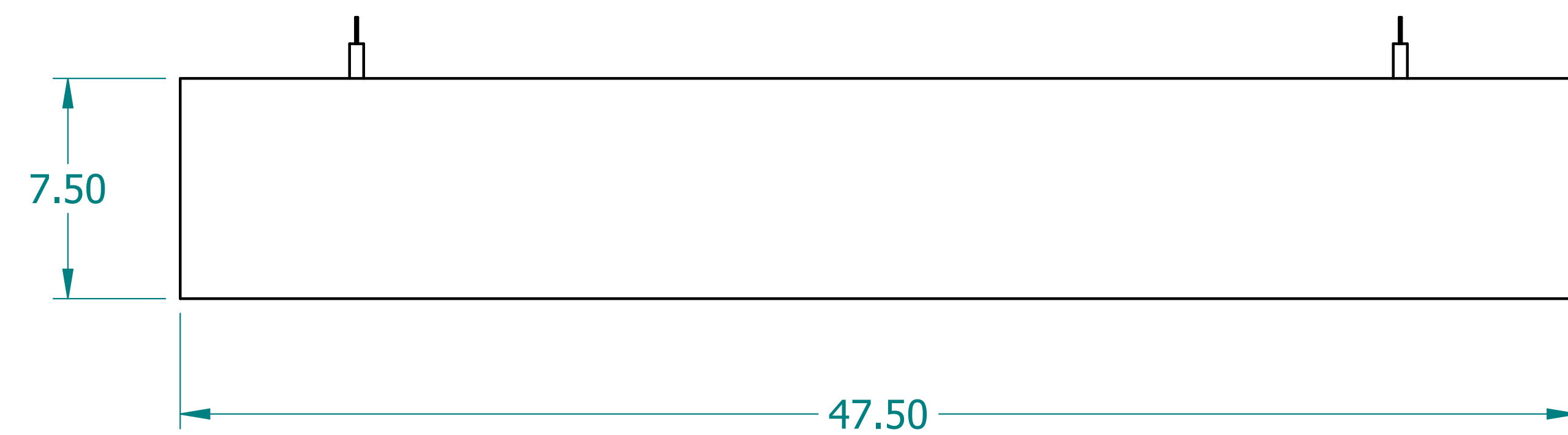
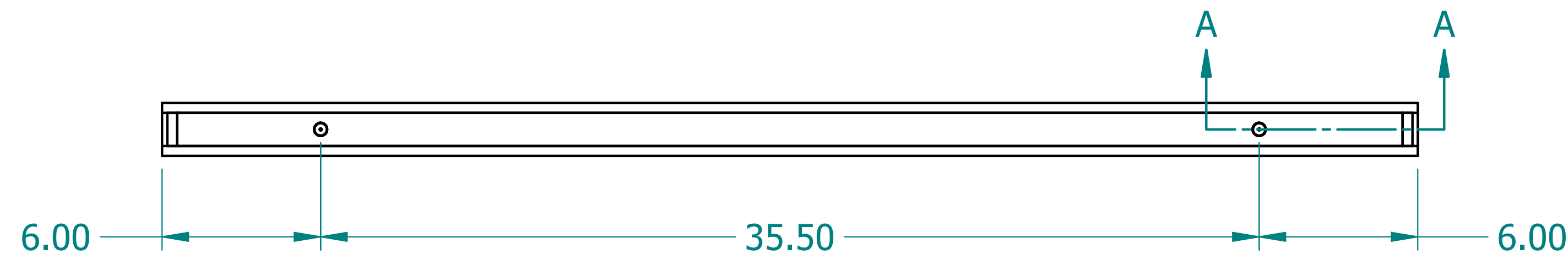
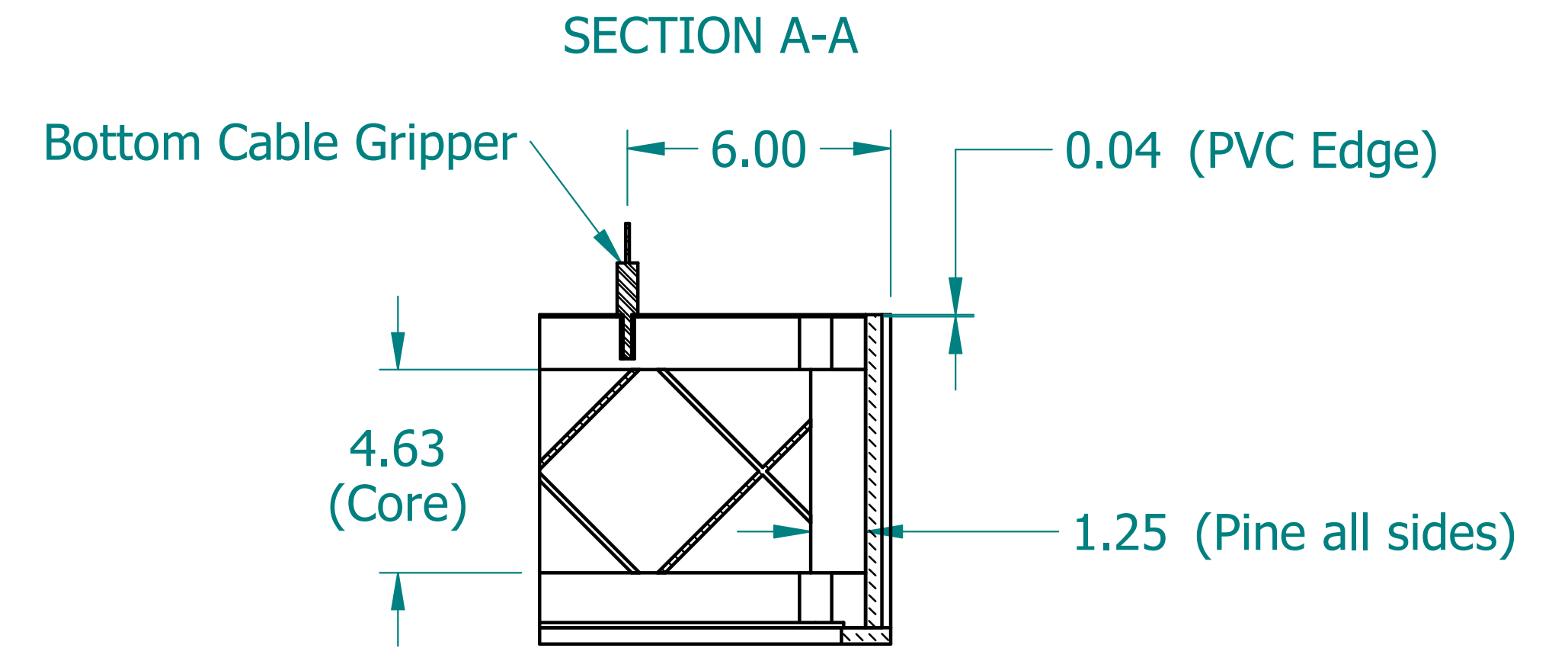
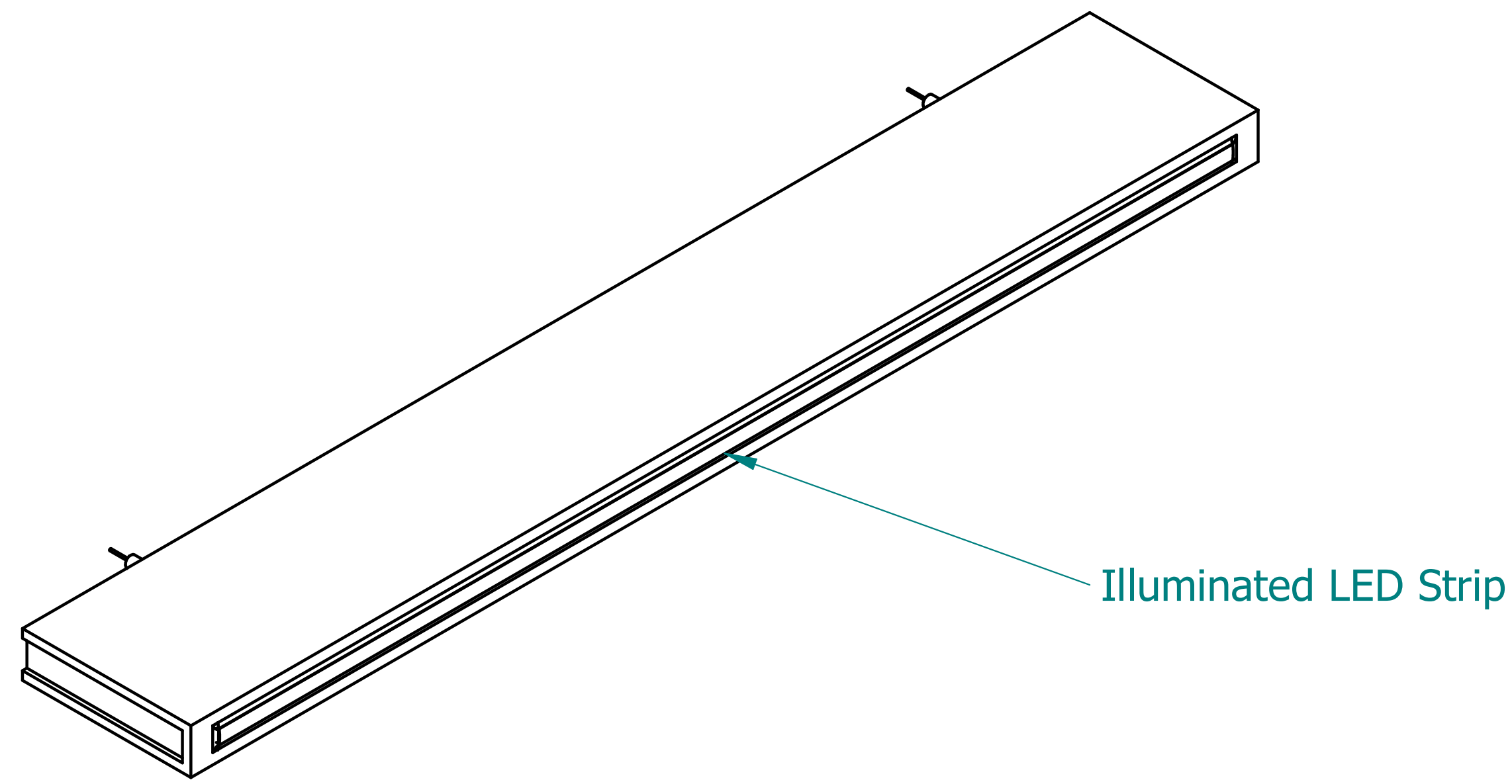


REVISION HISTORY			
REV.	DESCRIPTION	DATE	APPROVED



NAME	DATE	ALTISPACE	
DRAWN CBS	11/16/23		
ENG APPR CBS	11/16/23		
<p>UNLESS OTHERWISE SPECIFIED DIMENSIONS ARE IN 'INCHES'            ANGLES ±0.8° ; 2 PL ±0.040 ;            3 PL ±0.020</p>		<p>TITLE Illuminated Acoustic Blade</p> <p>SUBTITLE 48"x8"x2"</p> <p>PART NO: IXABlade-022-XX REV. 1.0</p> <p>SIZE: 34"x22" SCALE: 0.25 SHEET 1 OF 1</p> <p>FILE NAME: Illuminated Acoustic Blade (48.8.2).dft</p>	