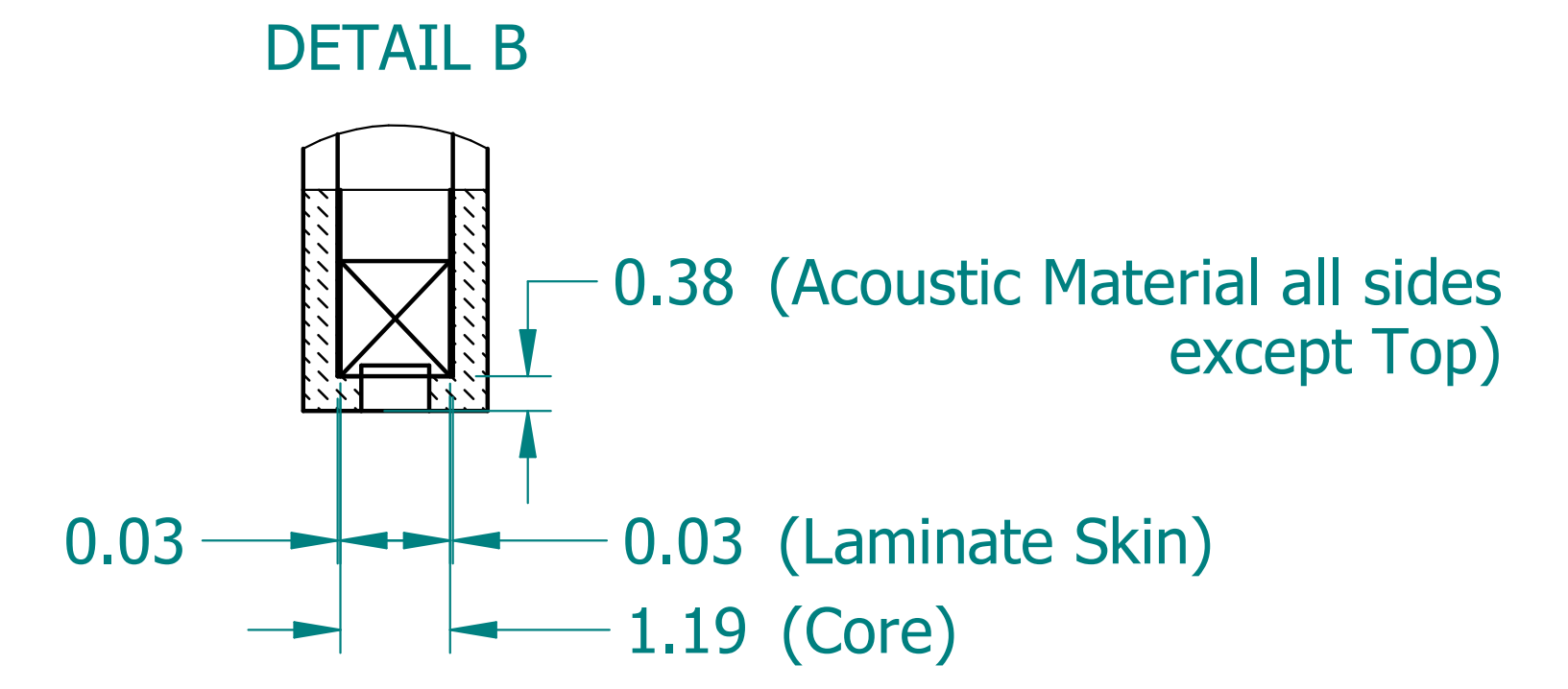
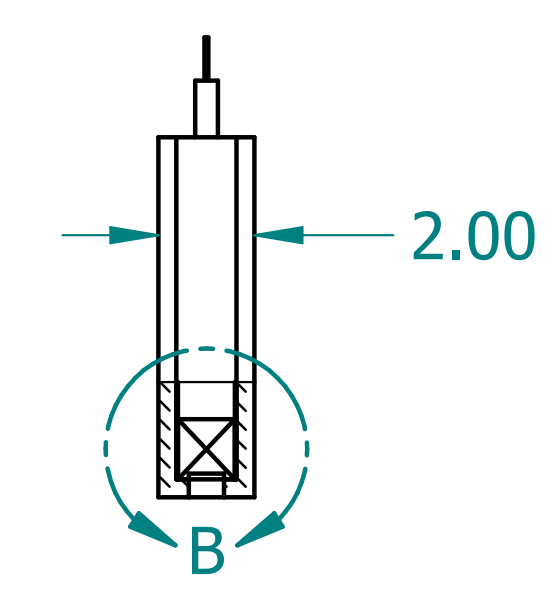
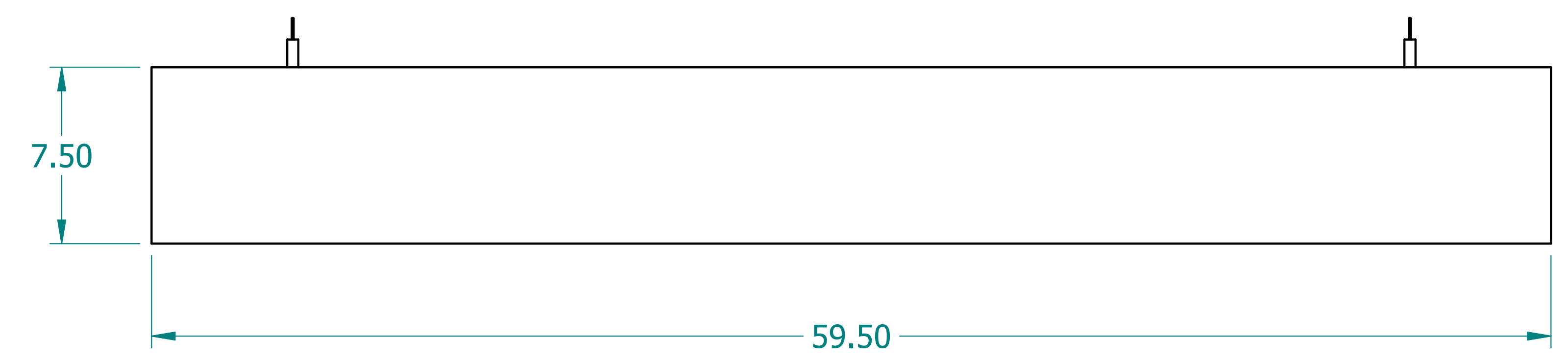
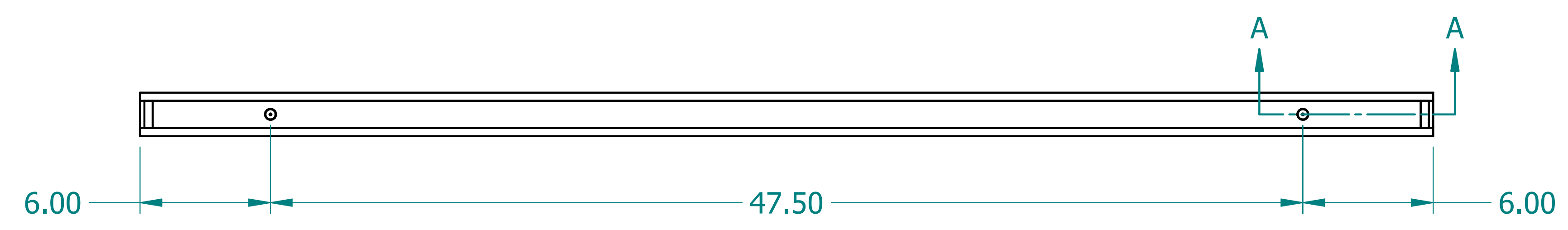
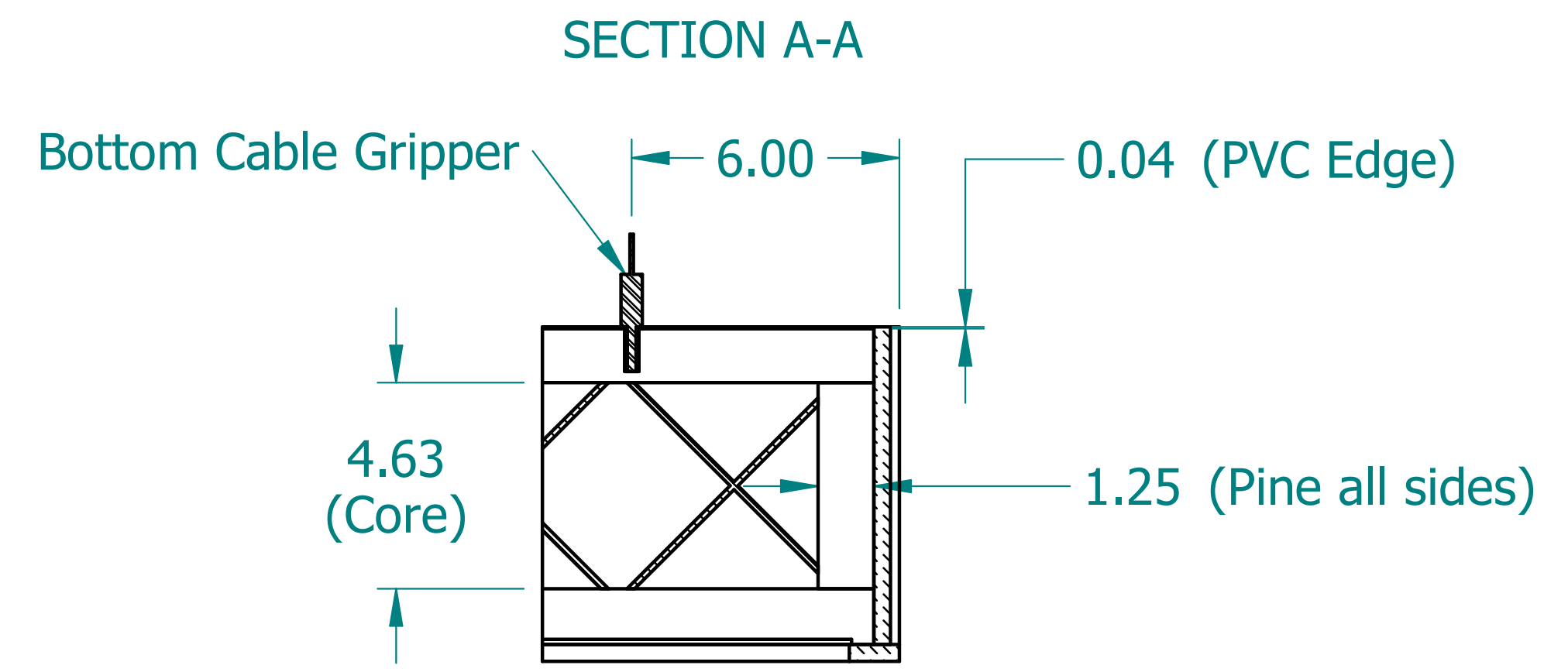
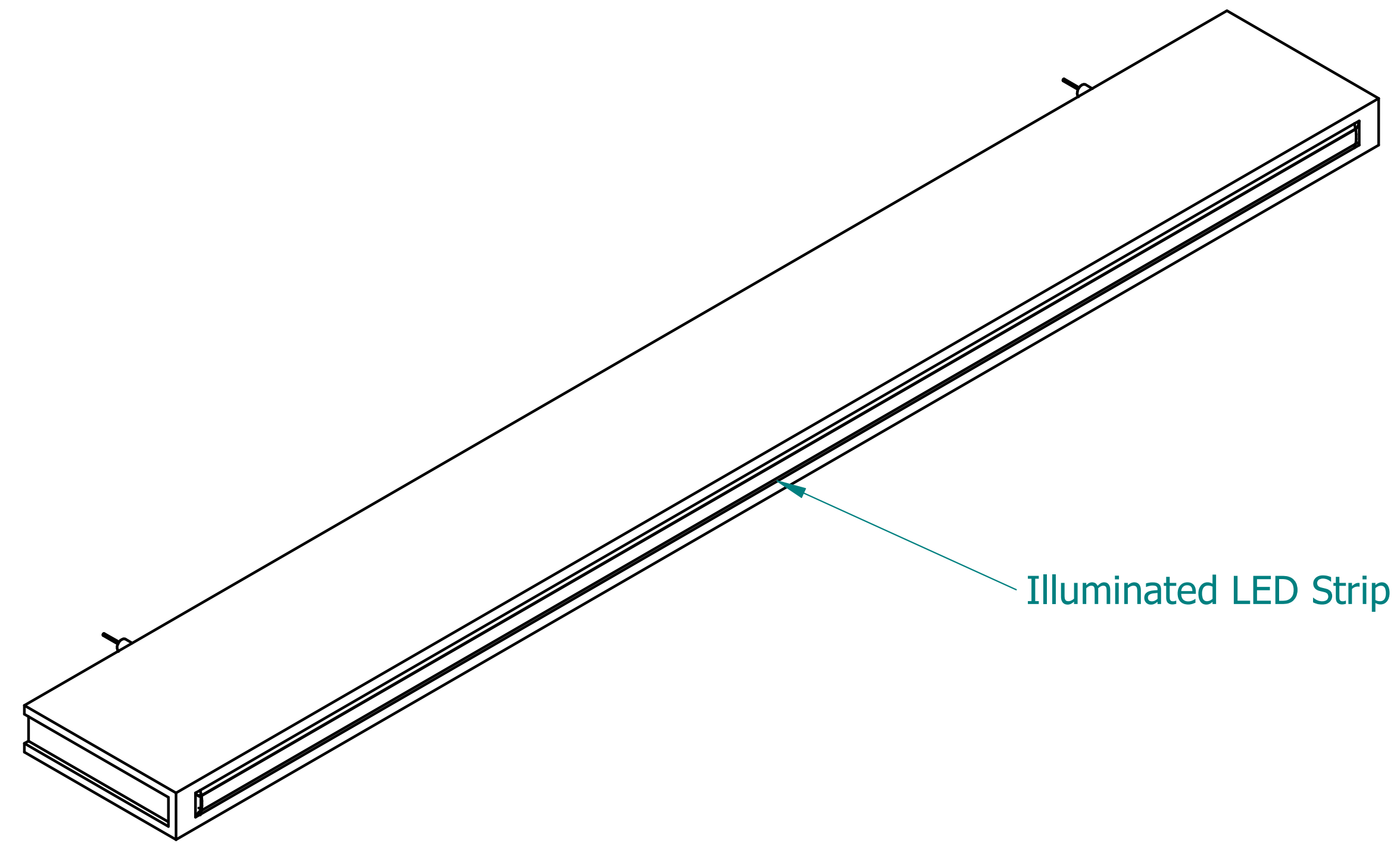


| REVISION HISTORY |             |      |          |
|------------------|-------------|------|----------|
| REV.             | DESCRIPTION | DATE | APPROVED |
|                  |             |      |          |



|   |          |  |
|---|----------|--|
| NAME  | DATE     |  |
| DRAWN CBS   | 11/16/23 |  |
| ENG APPR CBS  | 11/16/23 |  |
| <p>UNLESS OTHERWISE SPECIFIED DIMENSIONS ARE IN 'INCHES'</p> <p>ANGLES <math>\pm 0.8^\circ</math> ; 2 PL <math>\pm 0.040</math> ; 3 PL <math>\pm 0.020</math></p> |          | <p>TITLE</p> <p><b>Illuminated Acoustic Blade</b></p> <p>SUBTITLE</p> <p>60"x8"x2"</p> <p>PART NO: IXABlade-030-XX</p> <p>SIZE: 34"x22"    SCALE: 0.25</p> <p>REV. 1.0</p> <p>SHEET 1 OF 1</p> <p>FILE NAME: Illuminated Acoustic Blade (60.8.2).dft</p> |