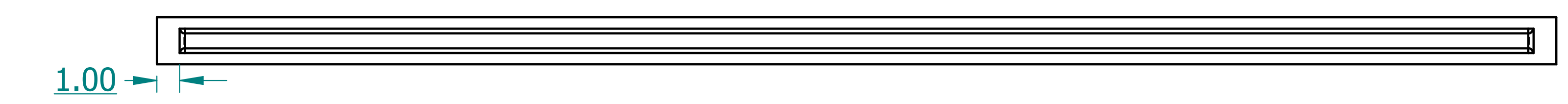
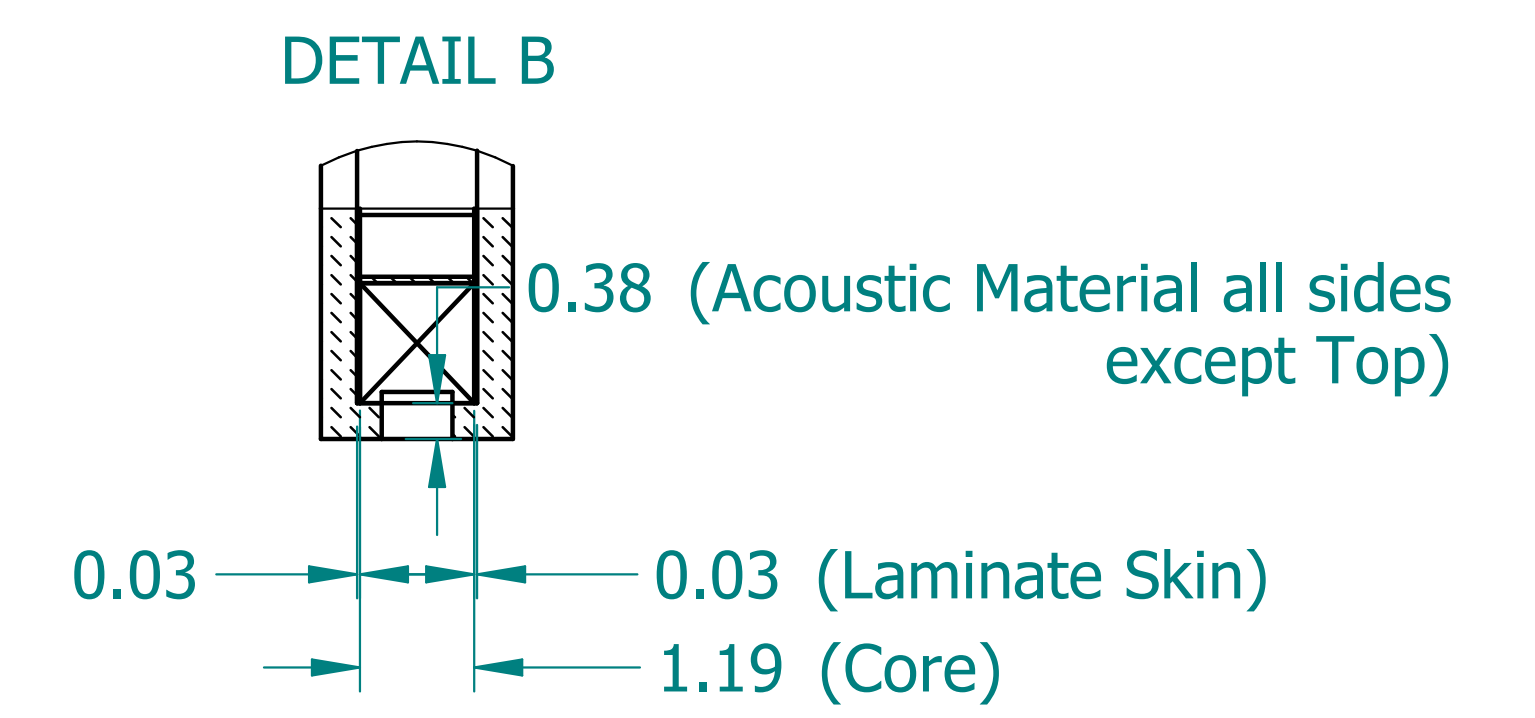
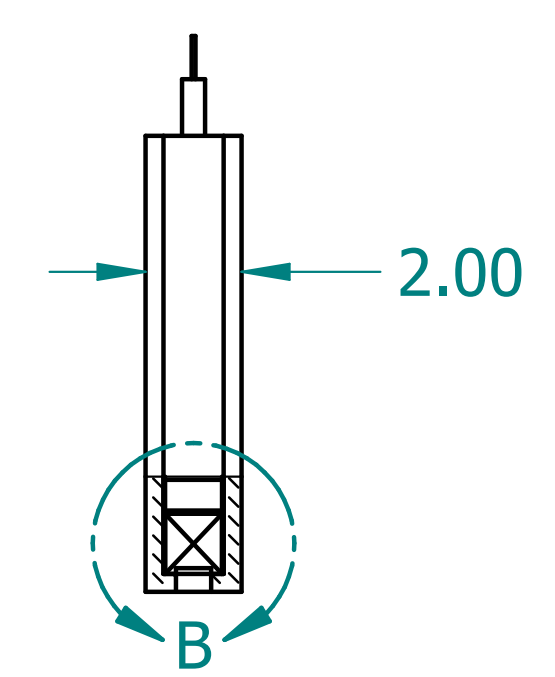
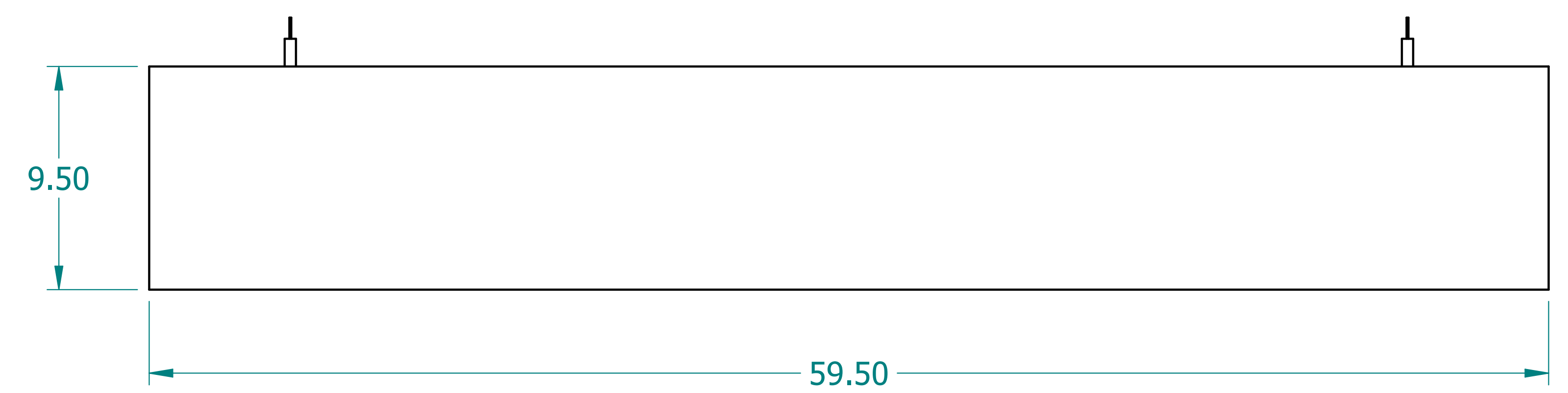
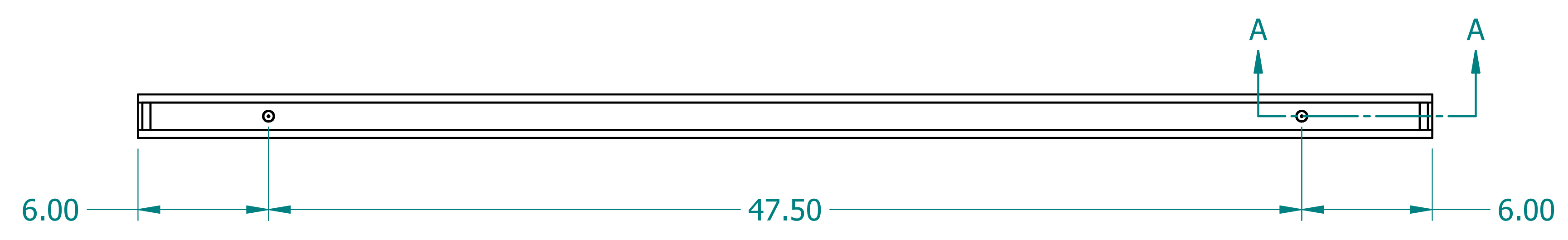
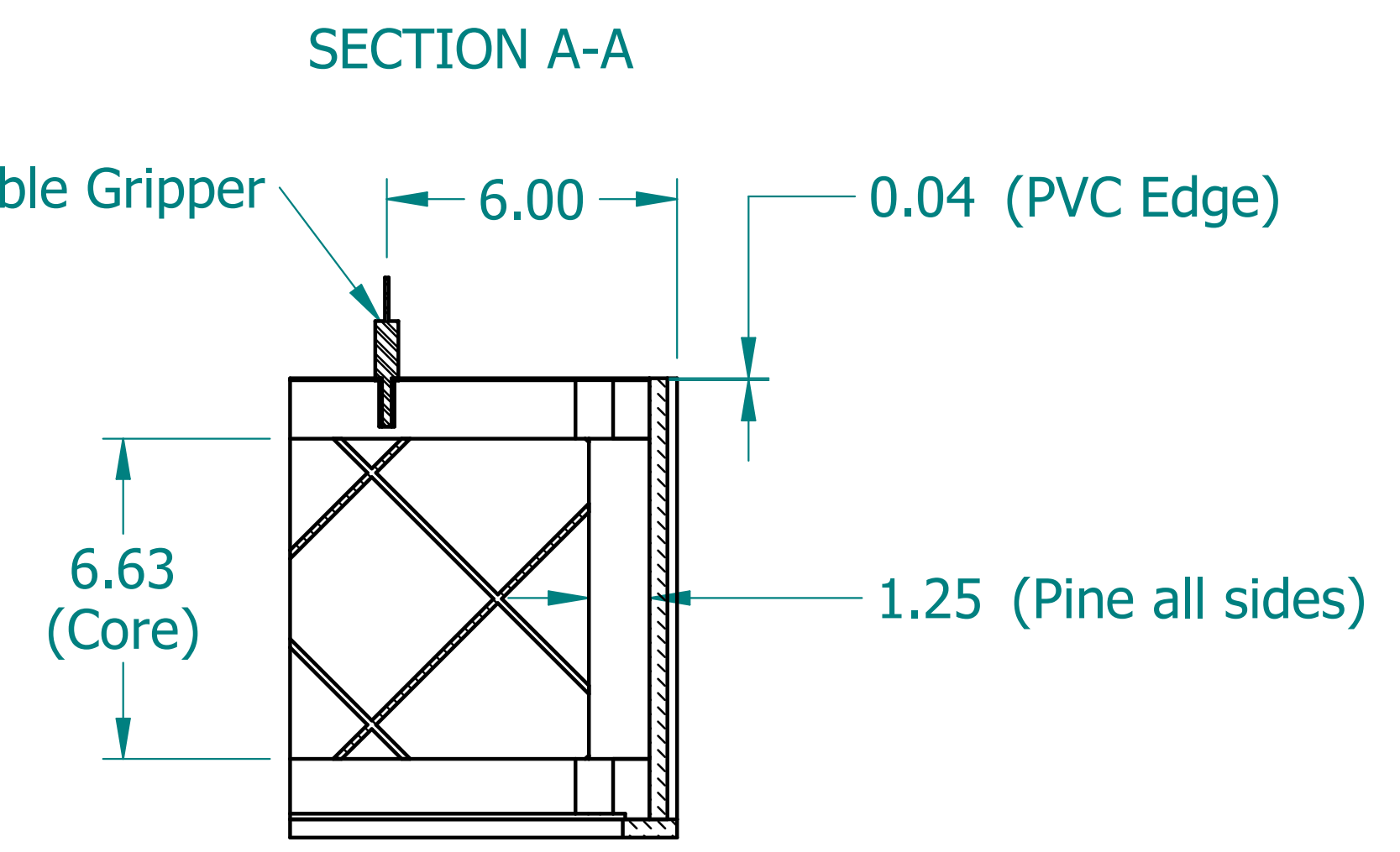
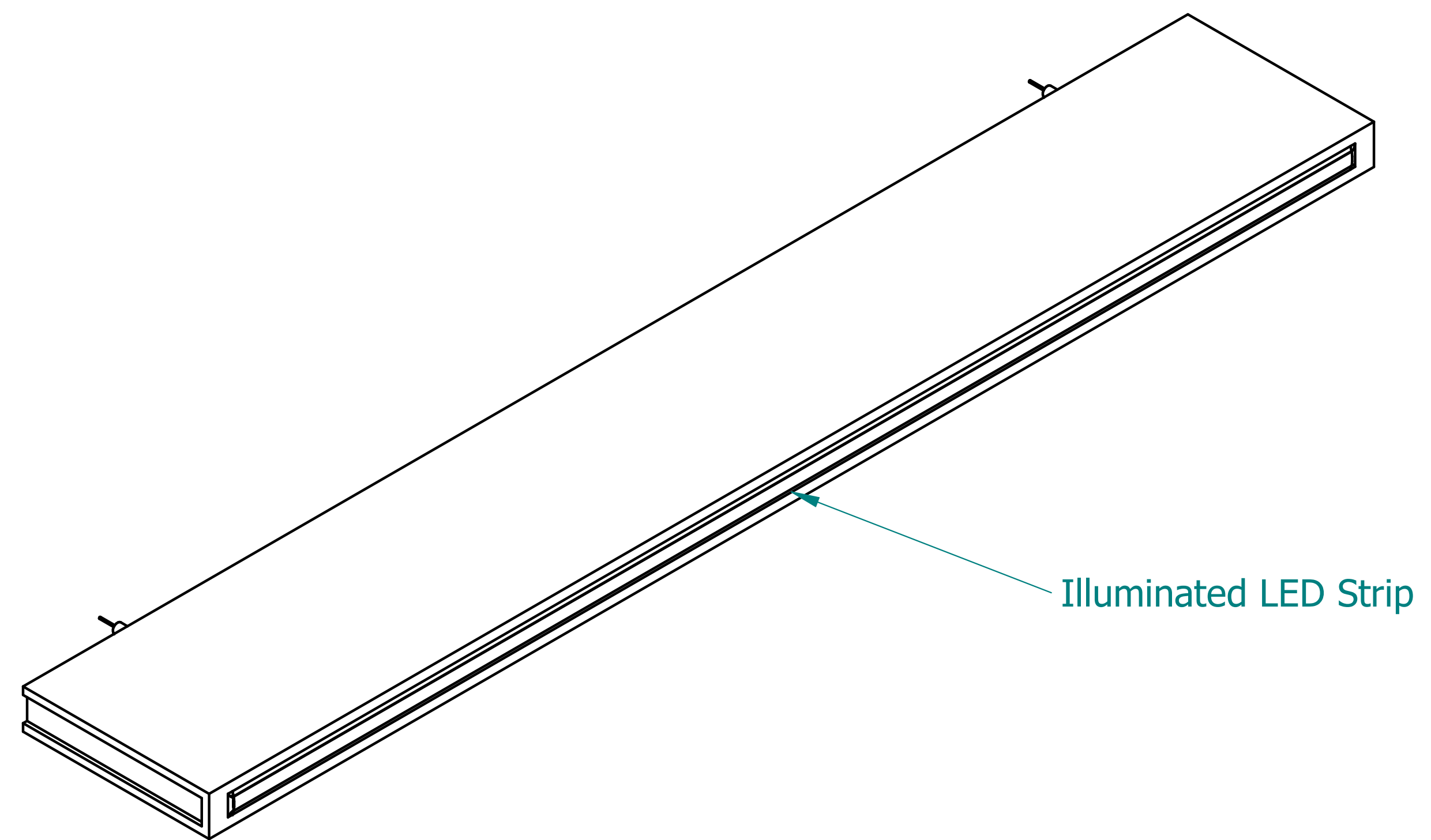


REVISION HISTORY			
REV.	DESCRIPTION	DATE	APPROVED



NAME	DATE	
DRAWN CBS	11/16/23	
ENG APPR CBS	11/16/23	
<p>UNLESS OTHERWISE SPECIFIED DIMENSIONS ARE IN 'INCHES'</p> <p>ANGLES ±0.8° ; 2 PL ±0.040 ; 3 PL ±0.020</p>		<p>TITLE</p> <p>Illuminated Acoustic Blade</p> <p>SUBTITLE</p> <p>60"x10"x2"</p> <p>PART NO: IXABlade-031-XX</p> <p>REV. 1.0</p> <p>SIZE: 34"x22" SCALE: 0.25 SHEET 1 OF 1</p> <p>FILE NAME: Illuminated Acoustic Blade (60.10.2).dft</p>