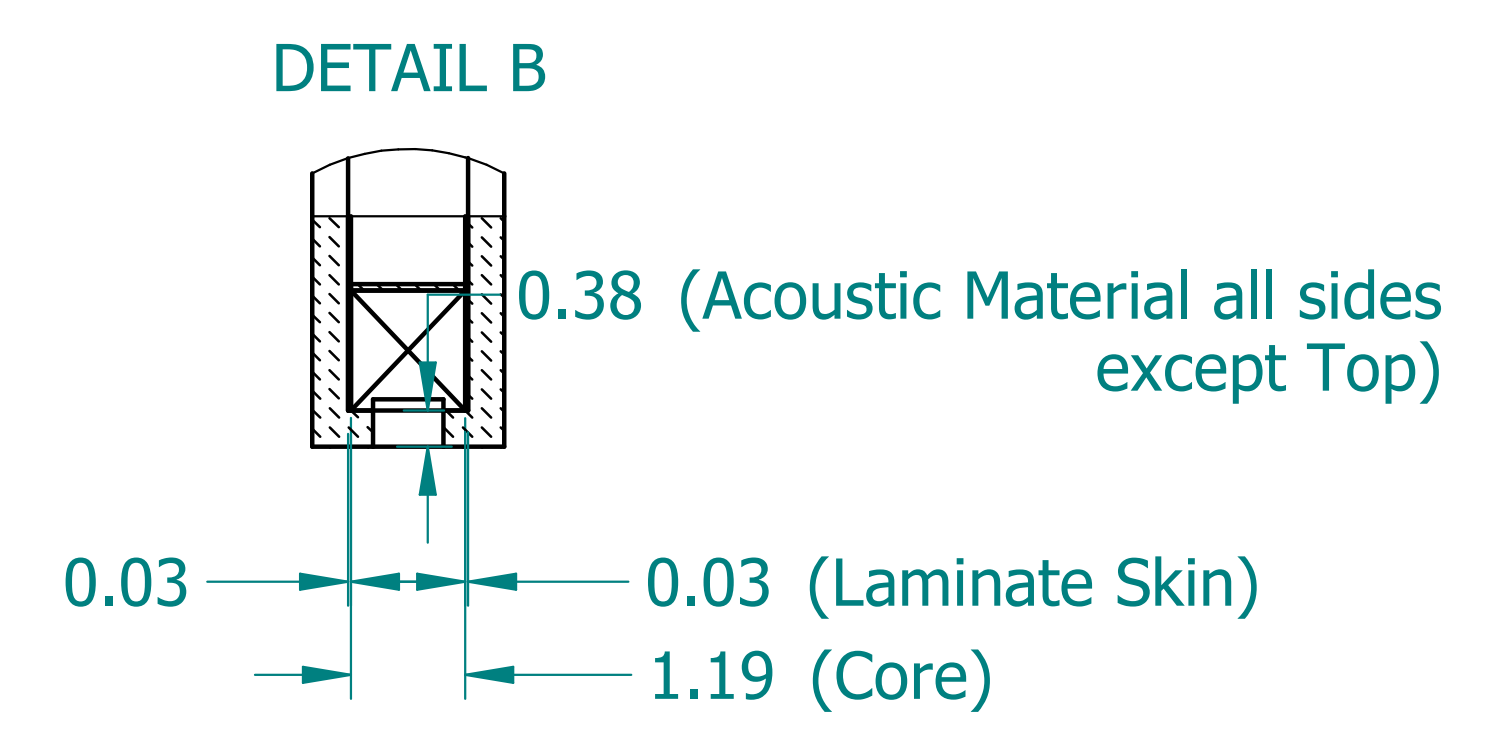
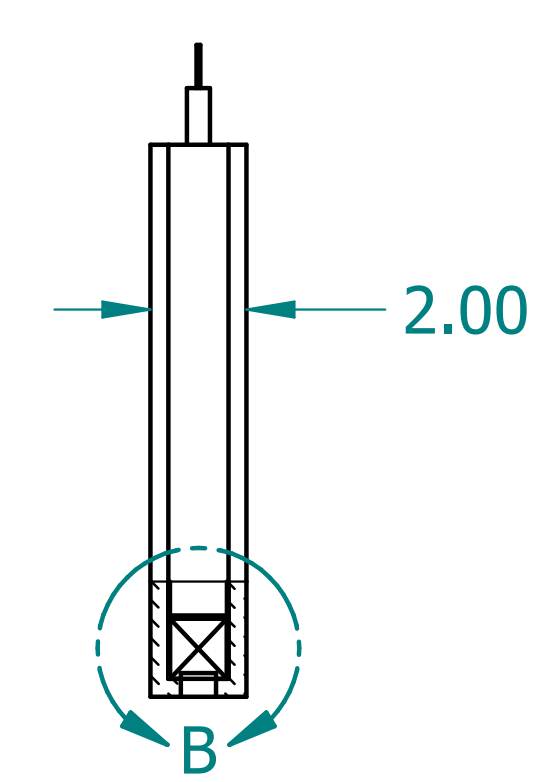
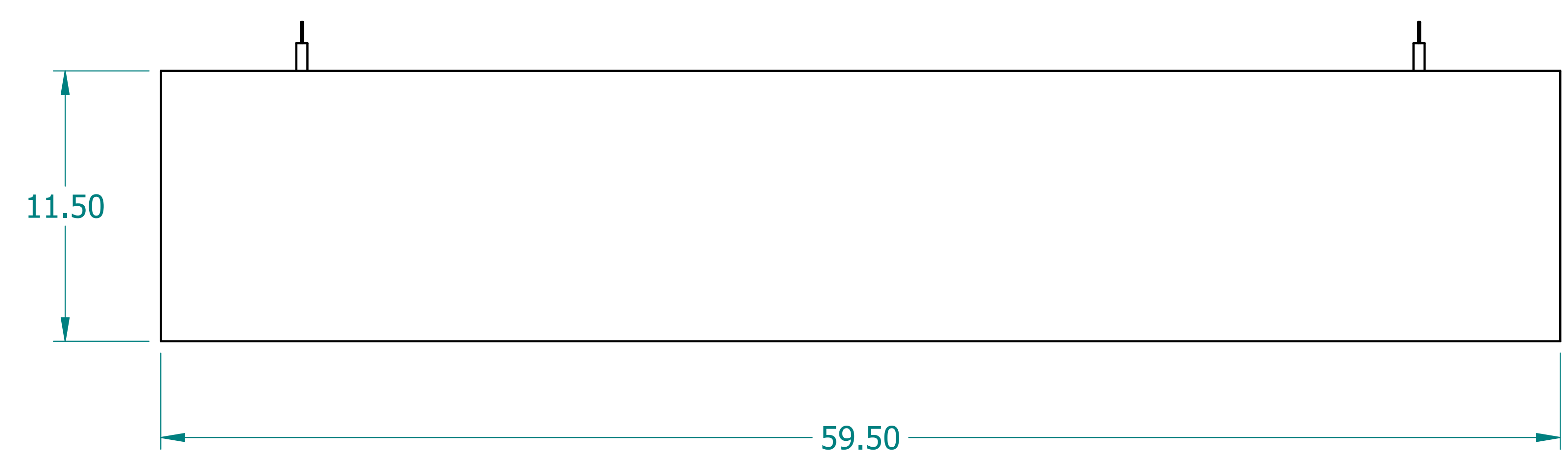
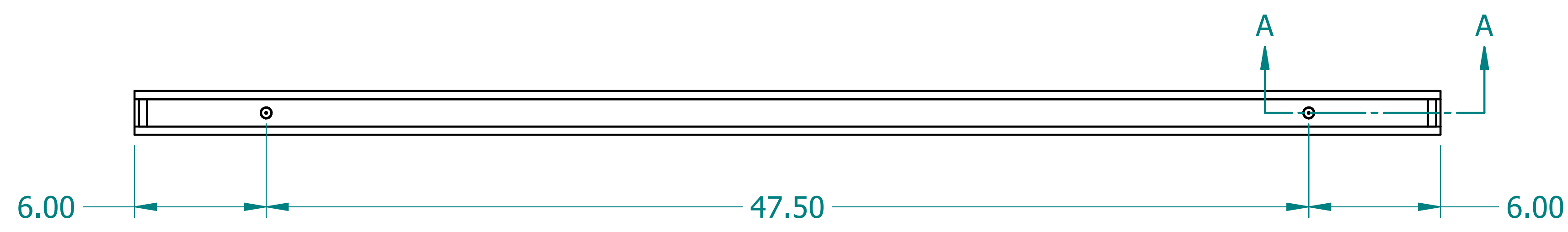
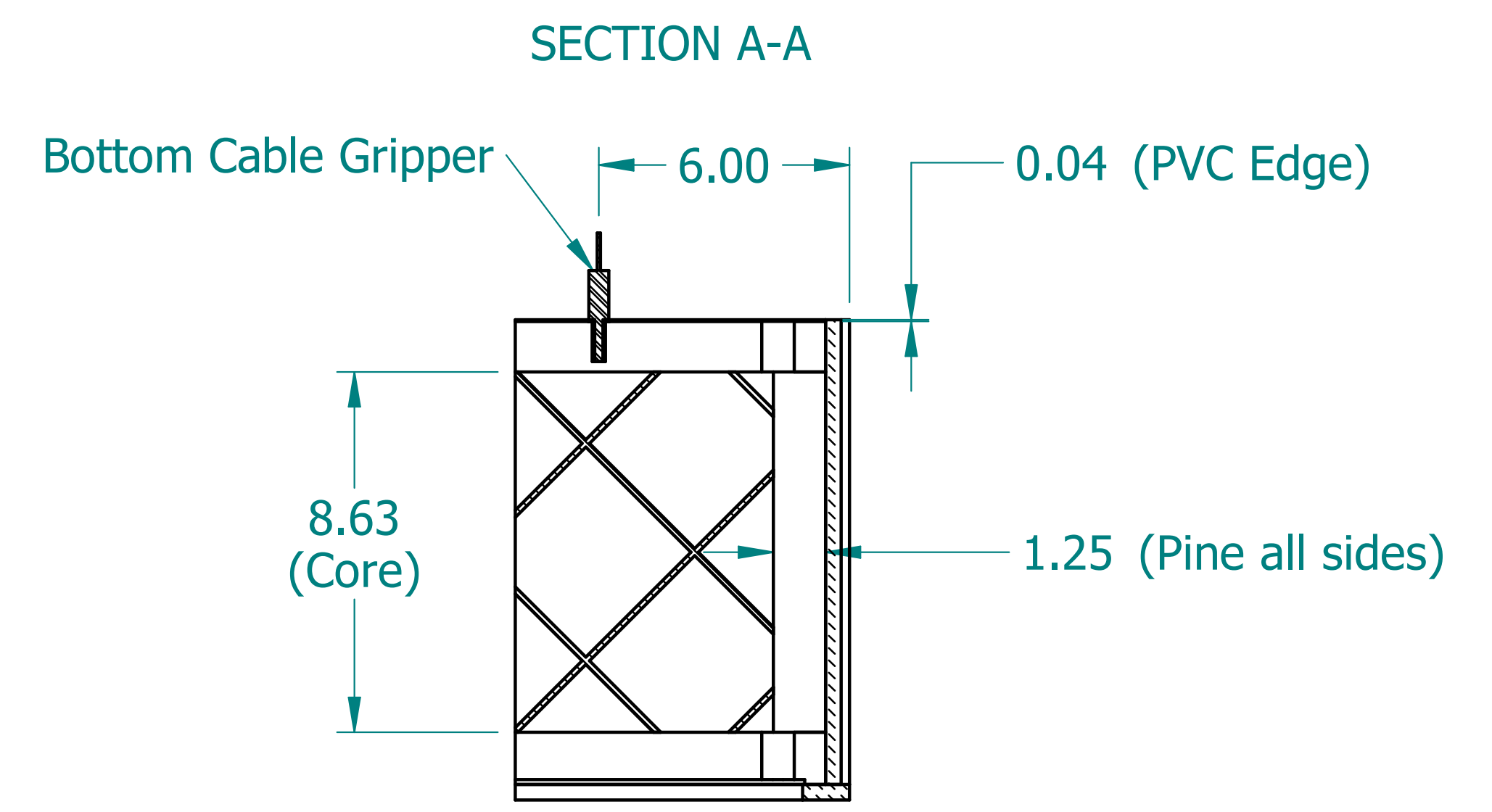
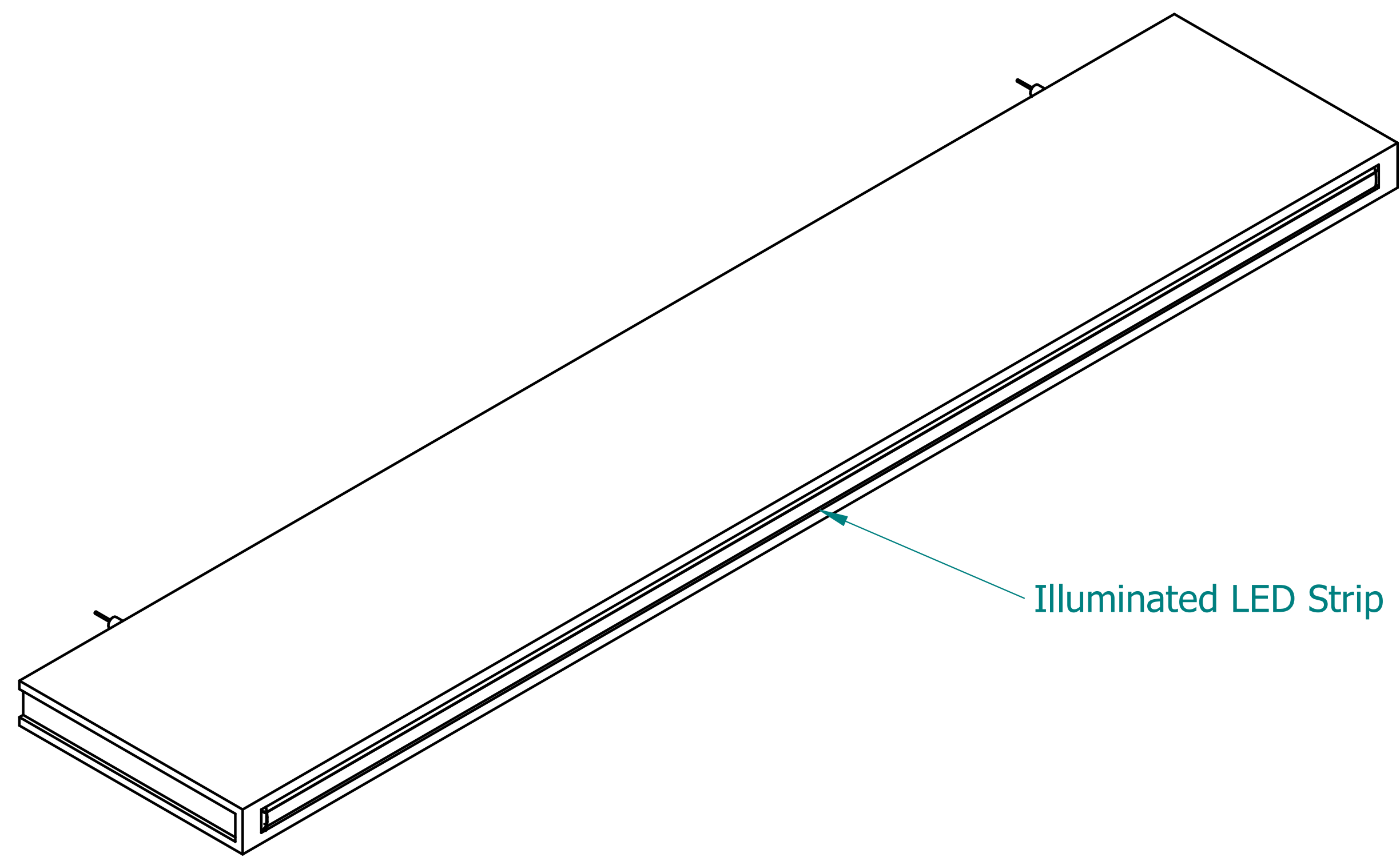


REVISION HISTORY			
REV.	DESCRIPTION	DATE	APPROVED



	NAME	DATE		
DRAWN	CBS	11/16/23		
ENG APPR	CBS	11/16/23		
<p>UNLESS OTHERWISE SPECIFIED DIMENSIONS ARE IN 'INCHES'</p> <p>ANGLES $\pm 0.8^\circ$; 2 PL ± 0.040 ; 3 PL ± 0.020</p>			<p>TITLE Illuminated Acoustic Blade</p> <p>SUBTITLE 60"x12"x2"</p> <p>PART NO: IXABlade-032-XX REV. 1.0</p> <p>SIZE: 34"x22" SCALE: 0.25 SHEET 1 OF 1</p> <p>FILE NAME: Illuminated Acoustic Blade (60.12.2).dft</p>	