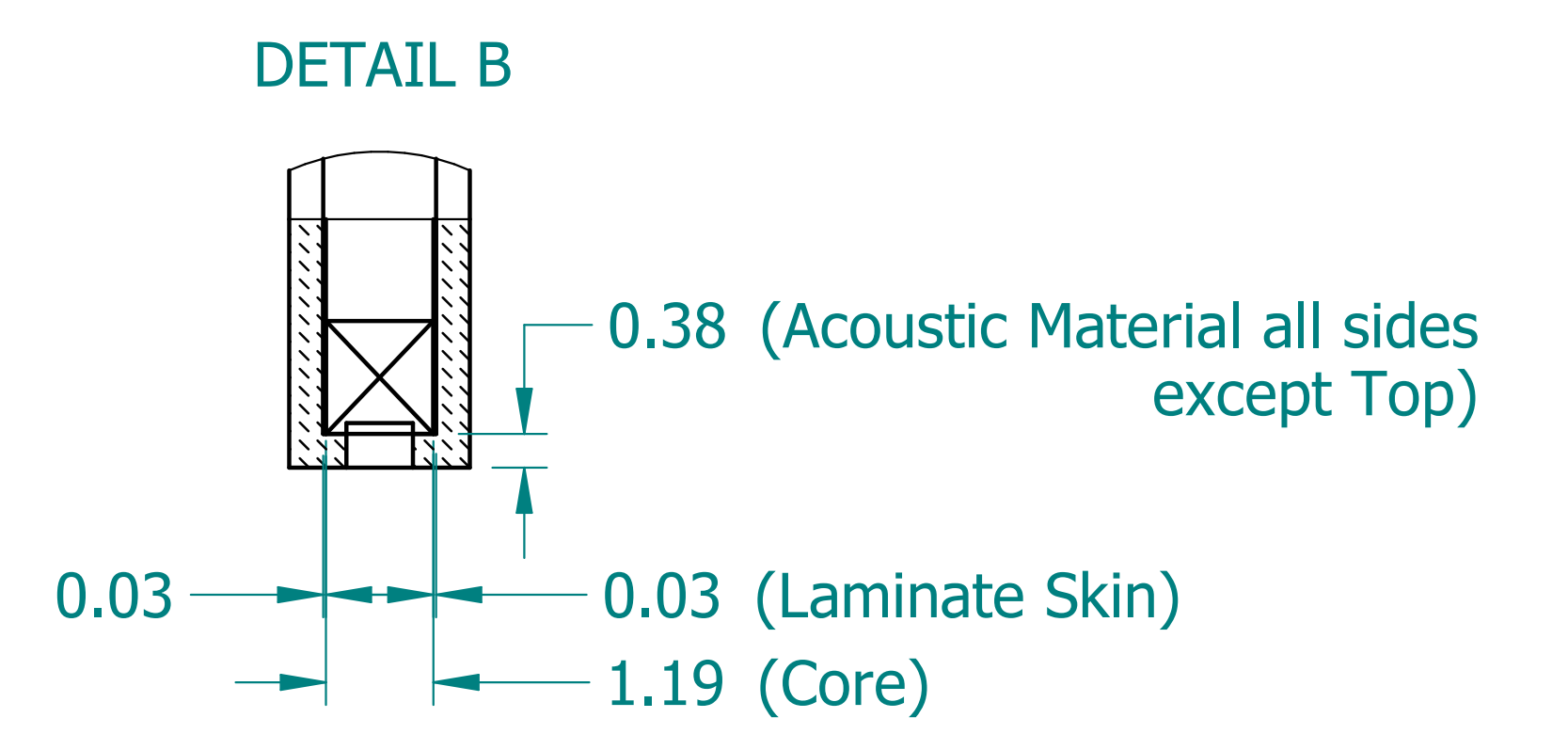
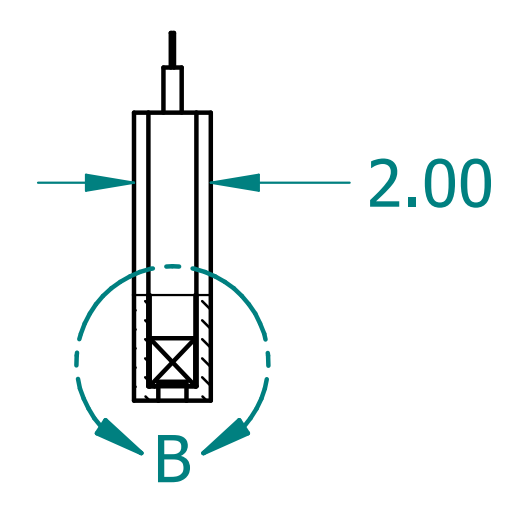
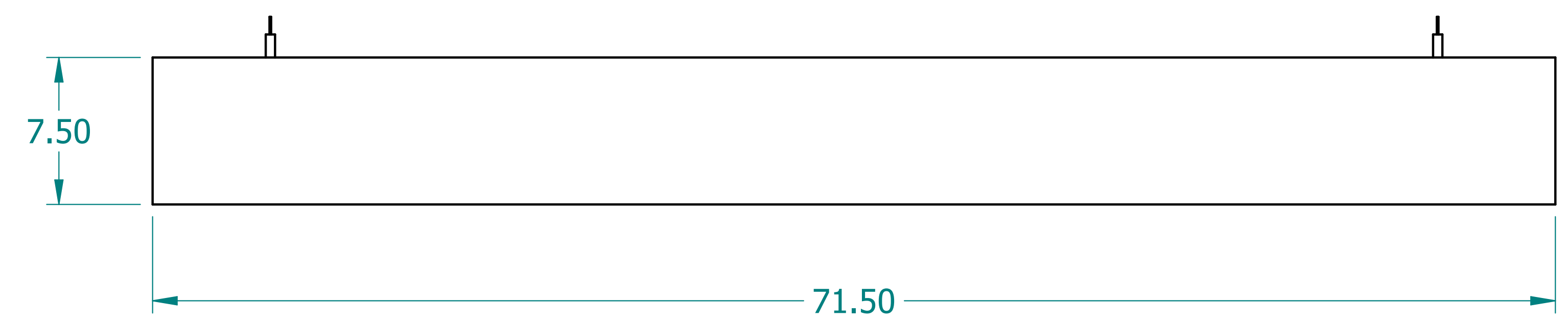
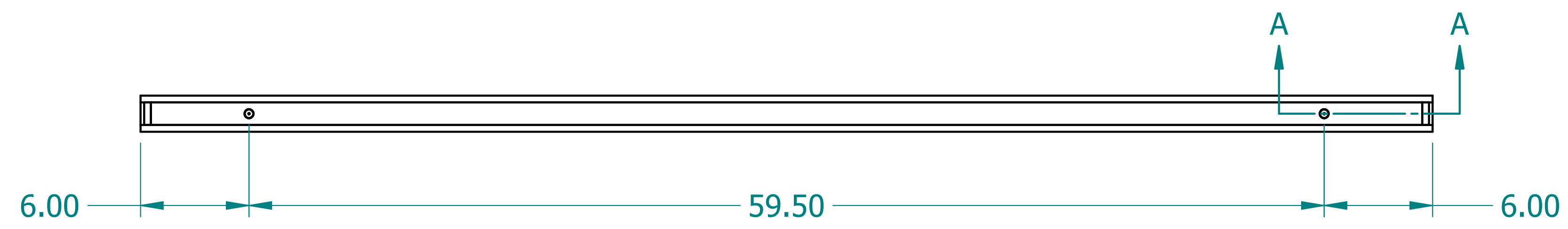
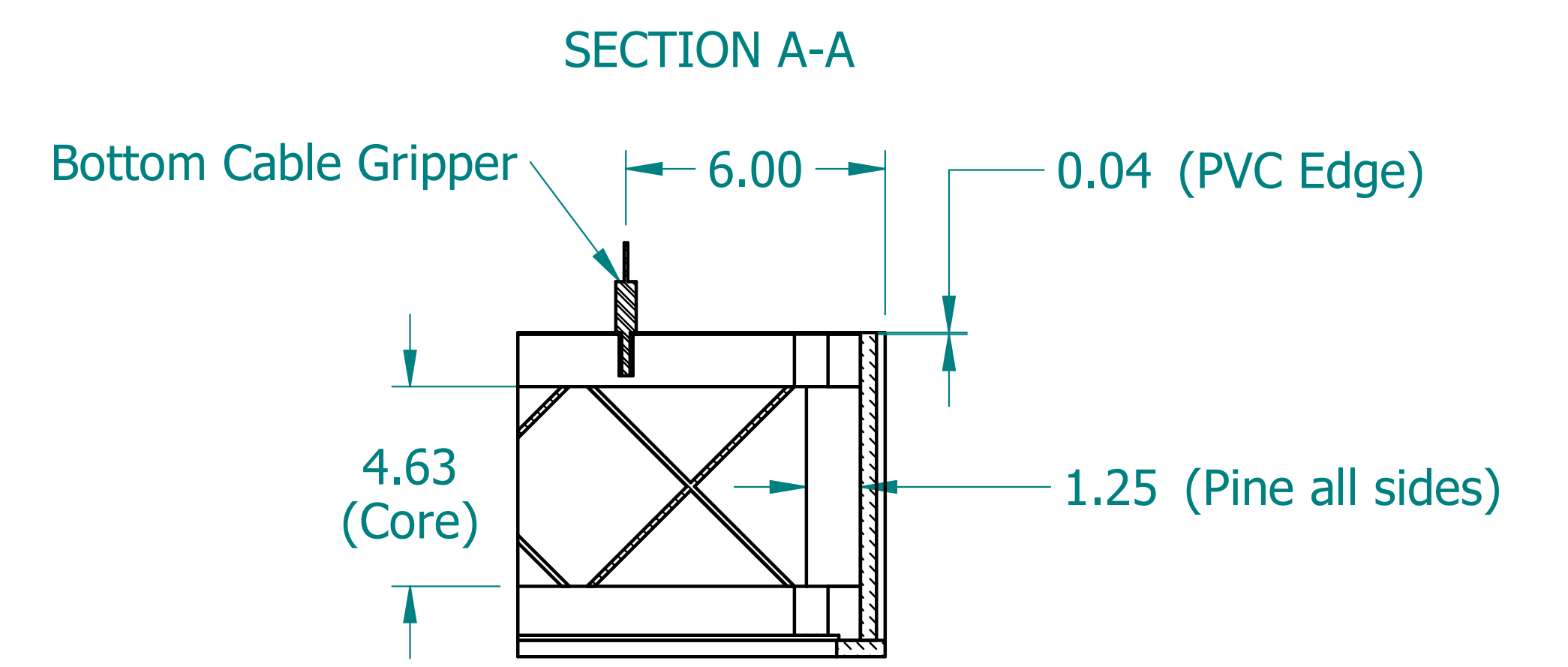
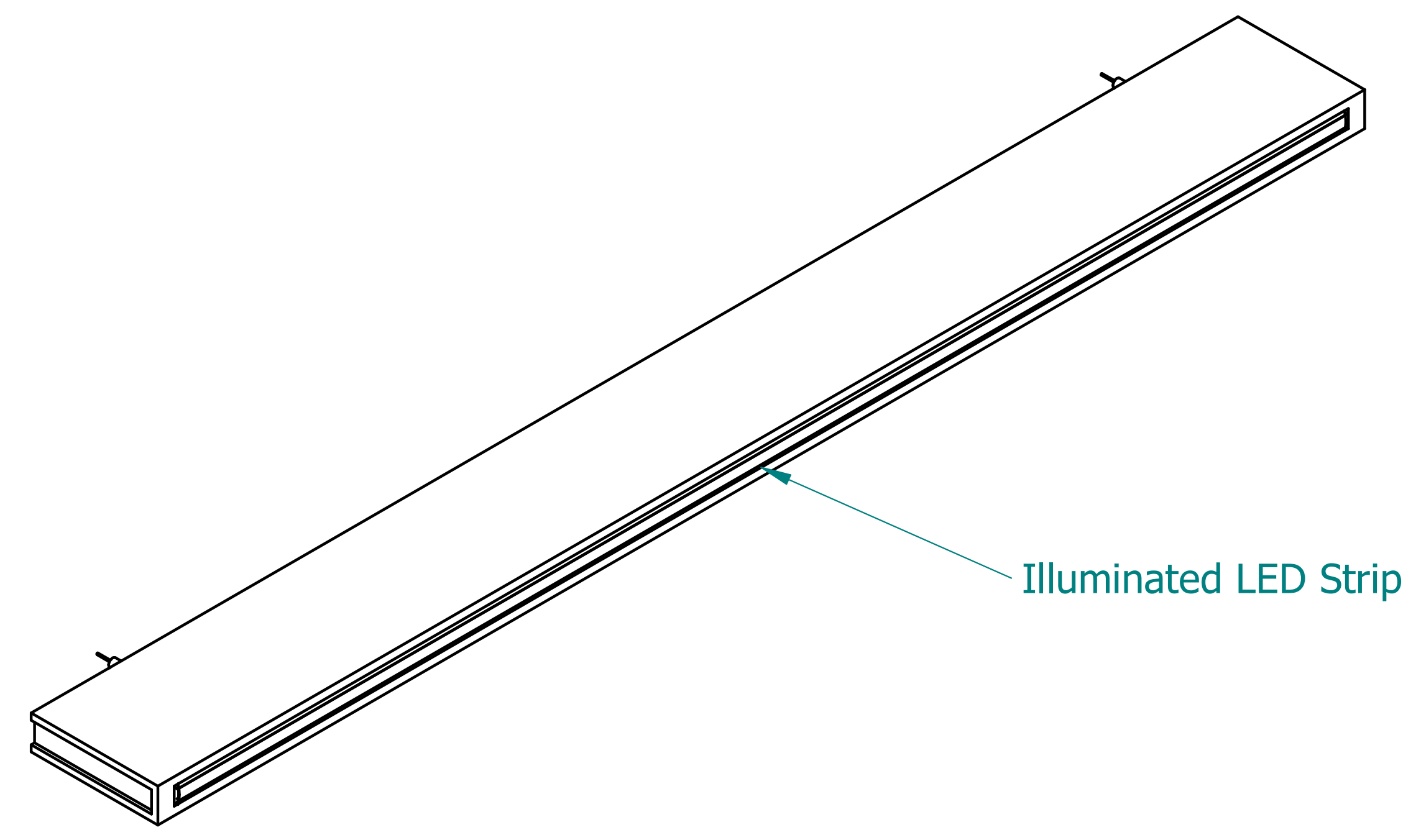


REVISION HISTORY			
REV.	DESCRIPTION	DATE	APPROVED



NAME	DATE	
DRAWN CBS	11/01/23	
ENG APPR CBS	11/01/23	
		TITLE
UNLESS OTHERWISE SPECIFIED DIMENSIONS ARE IN 'INCHES'		ILLUMINATED ACOUSTIC BLADE
ANGLES ±0.8° ; 2 PL ±0.040 ; 3 PL ±0.020		SUBTITLE
		72"x8"x2"
		PART NO: IXABlade-038-XX
		REV. 1.0
		SIZE: 34"x22" SCALE: 0.20 SHEET 1 OF 1
		FILE NAME: Illuminated Acoustic Blade (72.8.2).dft