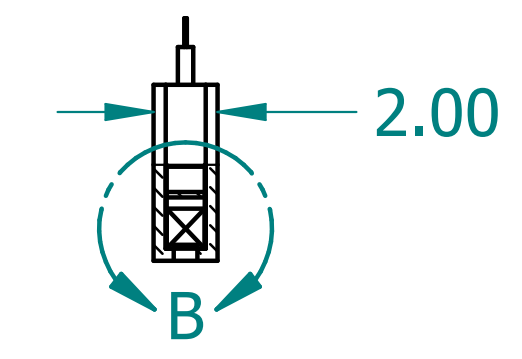
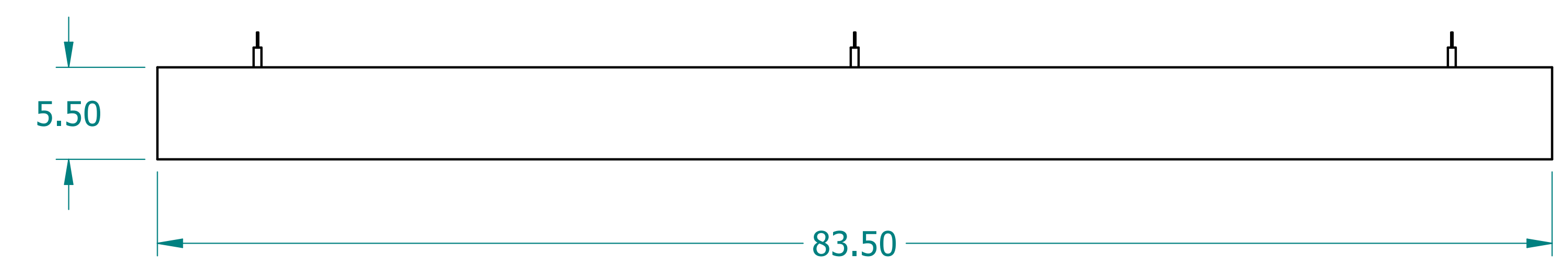
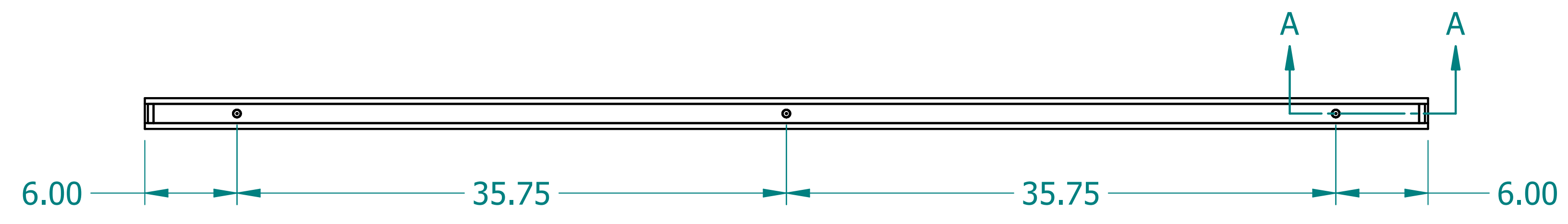
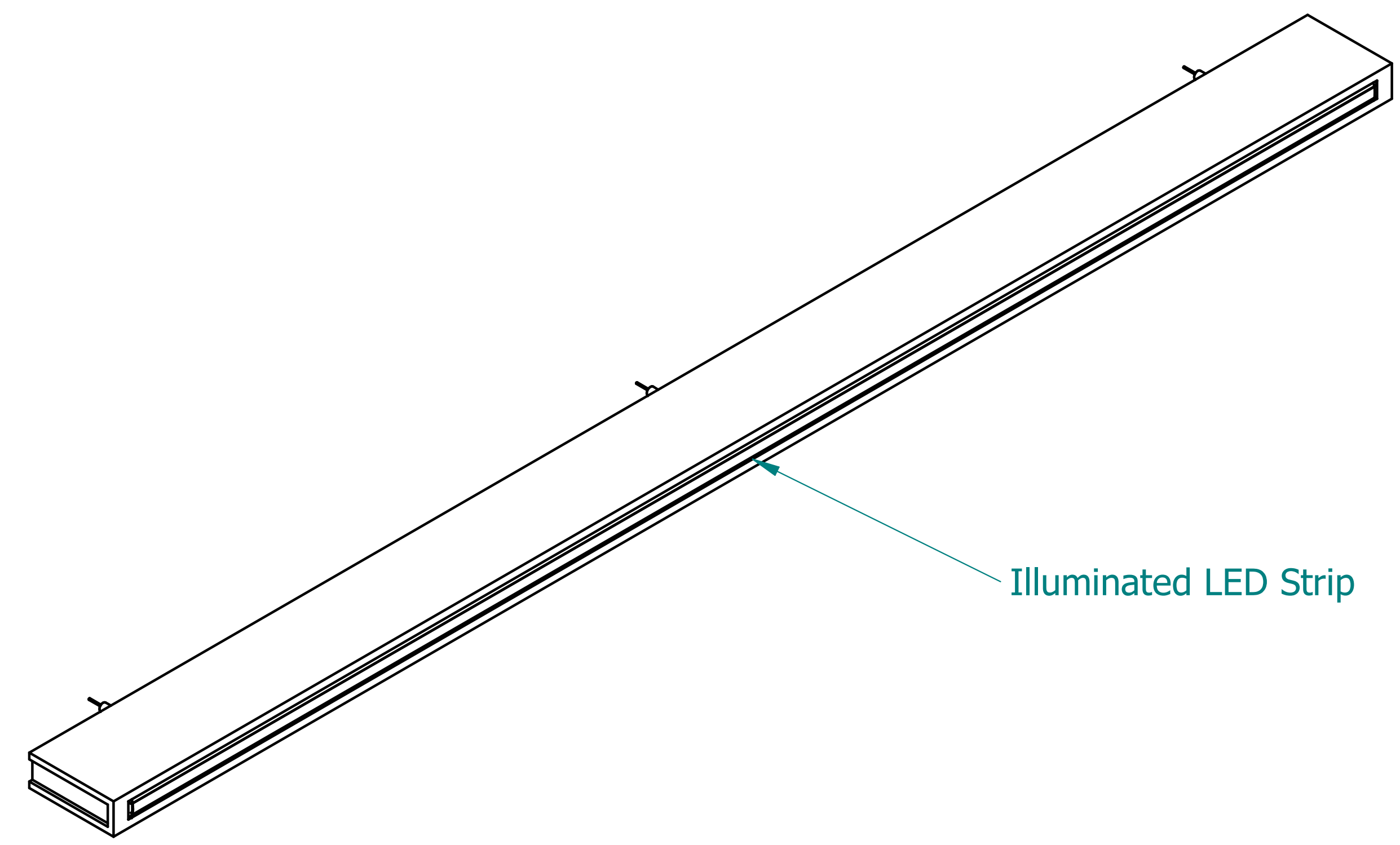
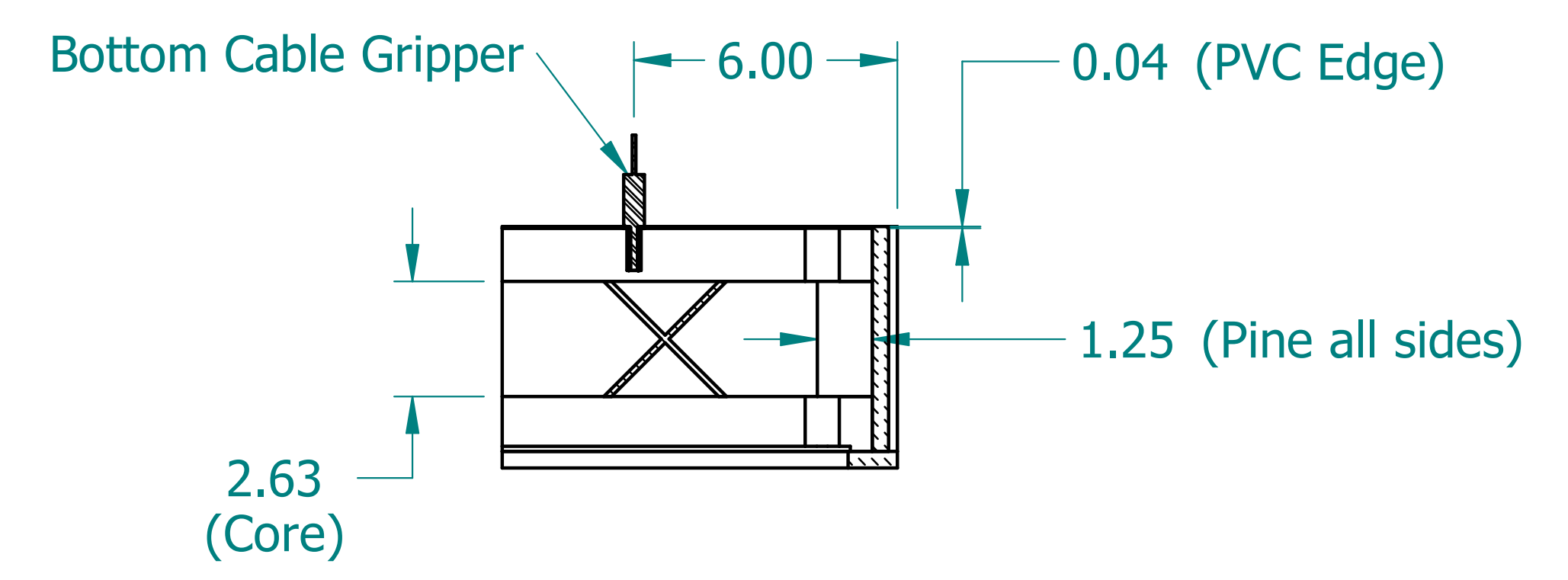


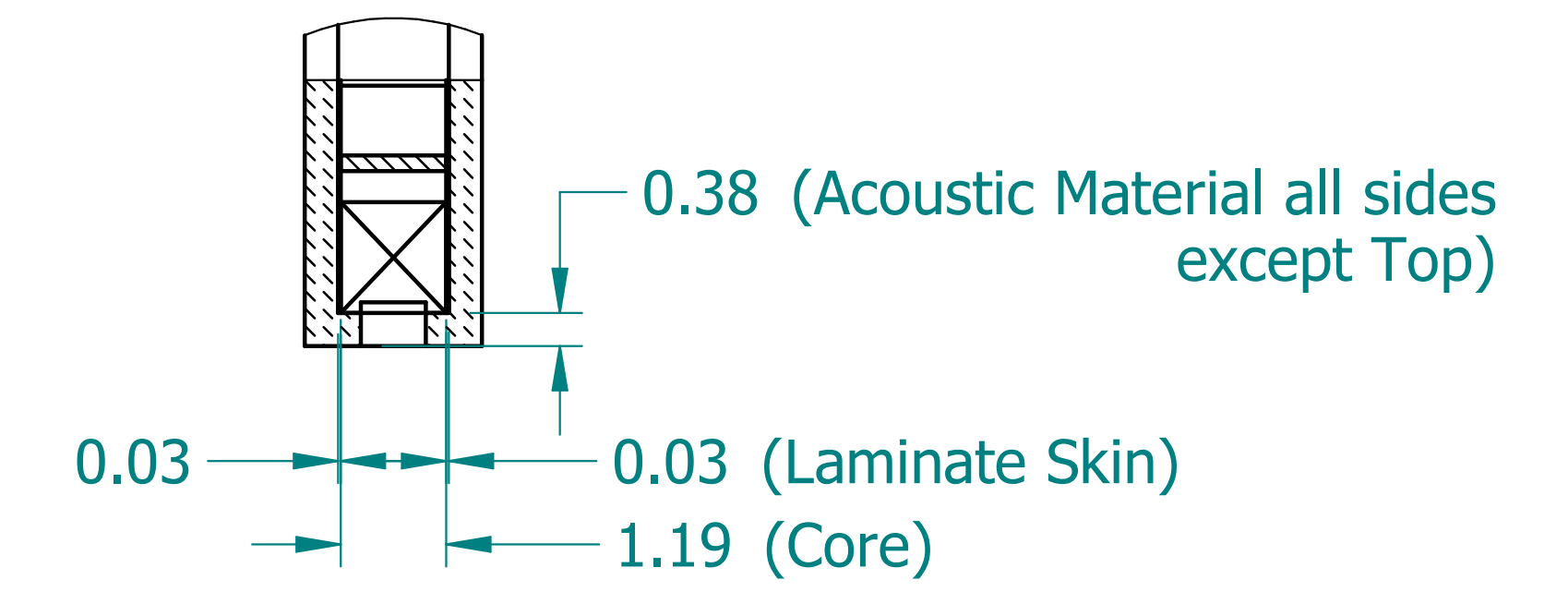
| REVISION HISTORY |             |      |          |
|------------------|-------------|------|----------|
| REV.             | DESCRIPTION | DATE | APPROVED |
|                  |             |      |          |



SECTION A-A



DETAIL B



|          | NAME | DATE     |
|----------|------|----------|
| DRAWN    | CBS  | 11/01/23 |
| ENG APPR | CBS  | 11/01/23 |



UNLESS OTHERWISE SPECIFIED DIMENSIONS ARE IN 'INCHES'  
 ANGLES  $\pm 0.8^\circ$ ; 2 PL  $\pm 0.040$ ; 3 PL  $\pm 0.020$

|  |                 |              |
|--|-----------------|--------------|
| TITLE<br><b>Illuminated Acoustic Blade</b>         |                 |              |
| SUBTITLE<br>84"x6"x2"                              |                 |              |
| PART NO:   | IXABlade-045-XX | REV. 1.0     |
| SIZE: 34"x22"                                      | SCALE: 0.17     | SHEET 1 OF 1 |
| FILE NAME: Illuminated Acoustic Blade (84.6.2).dft |                 |              |