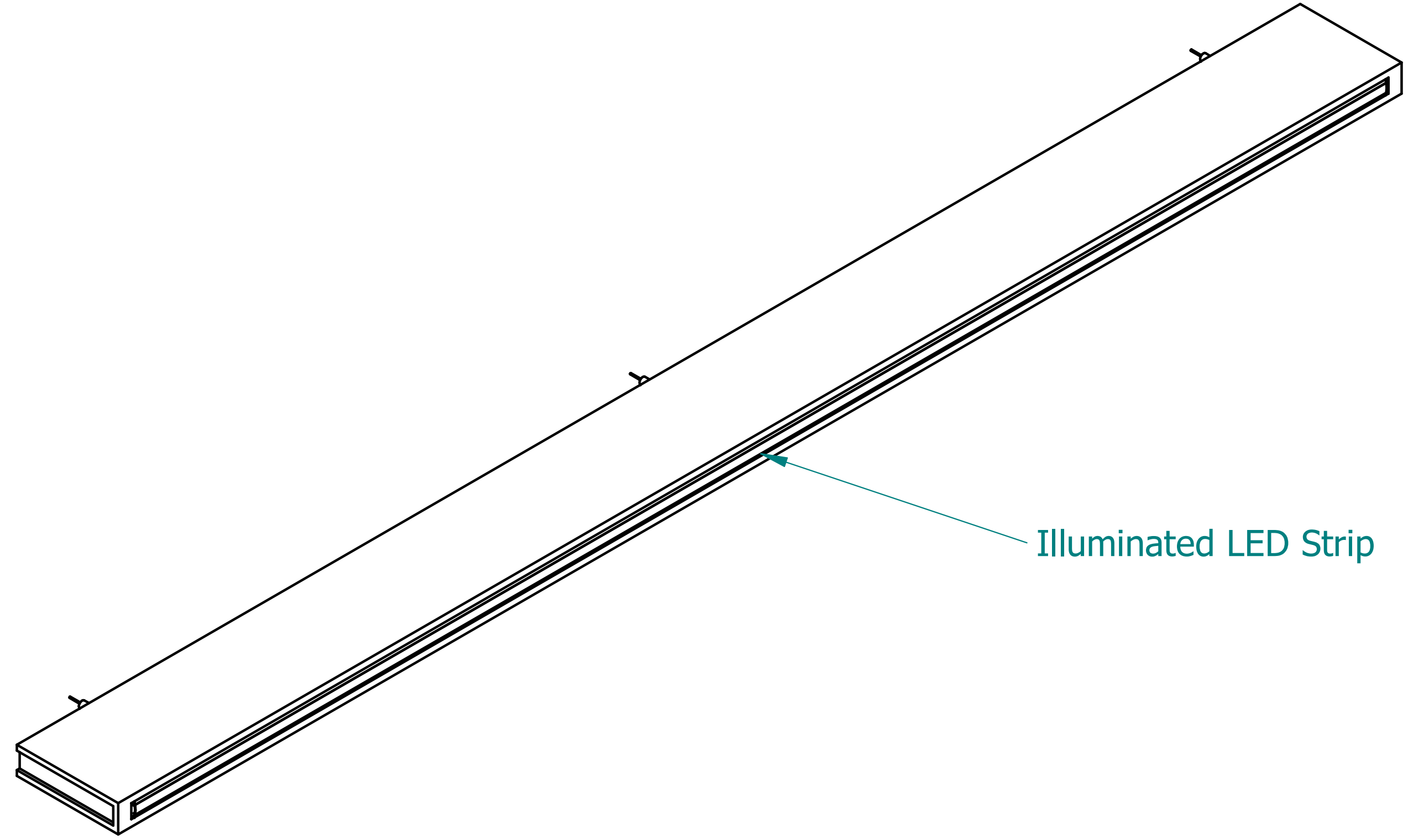
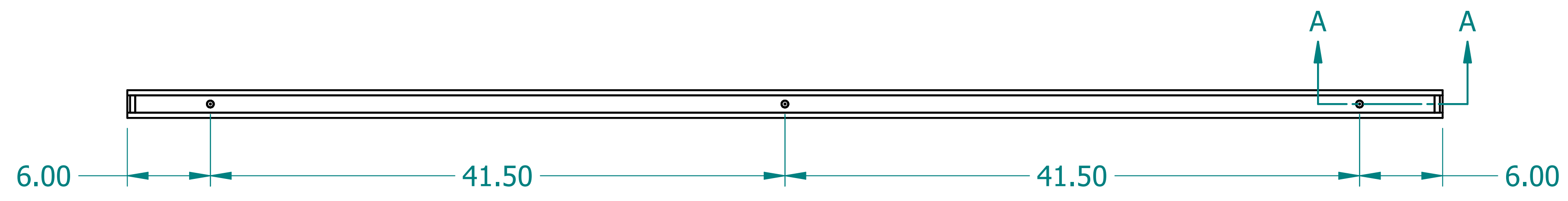
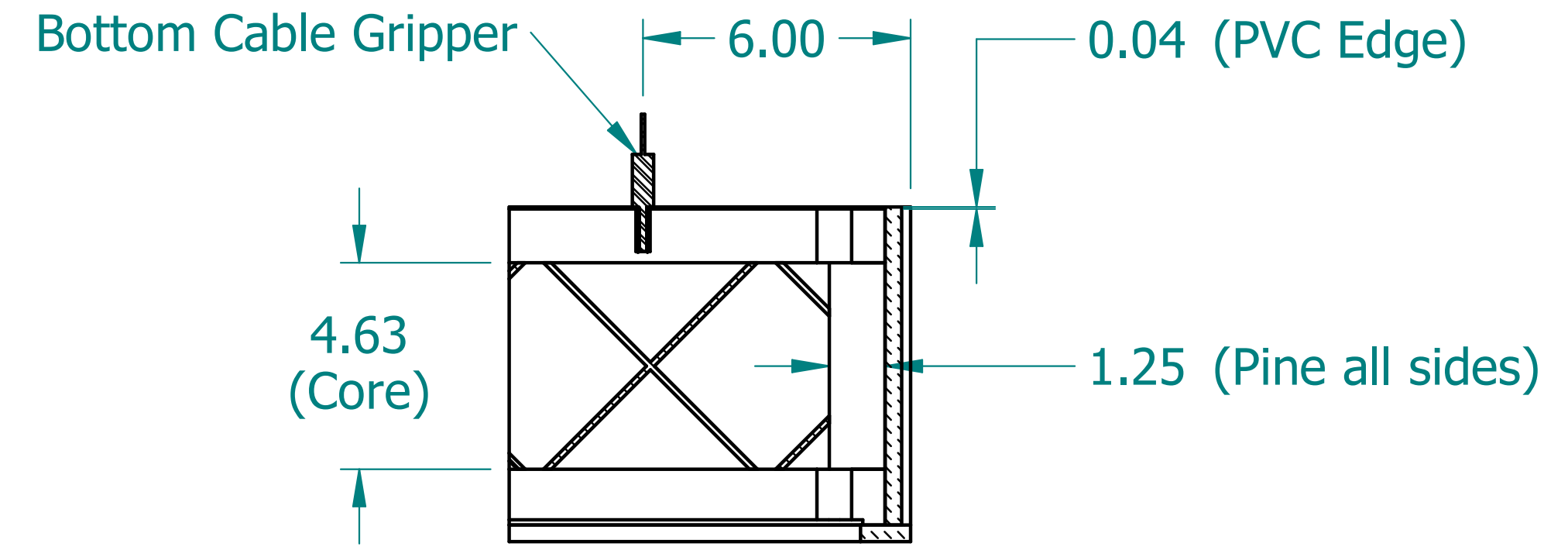


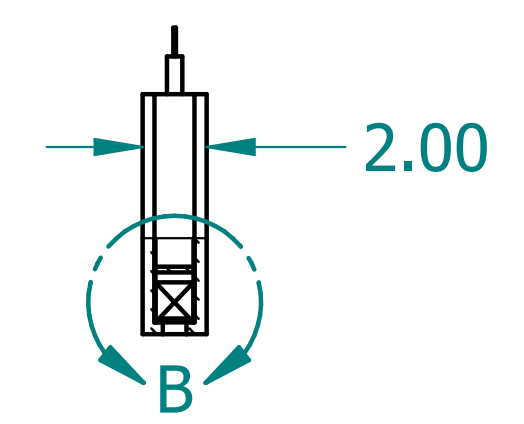
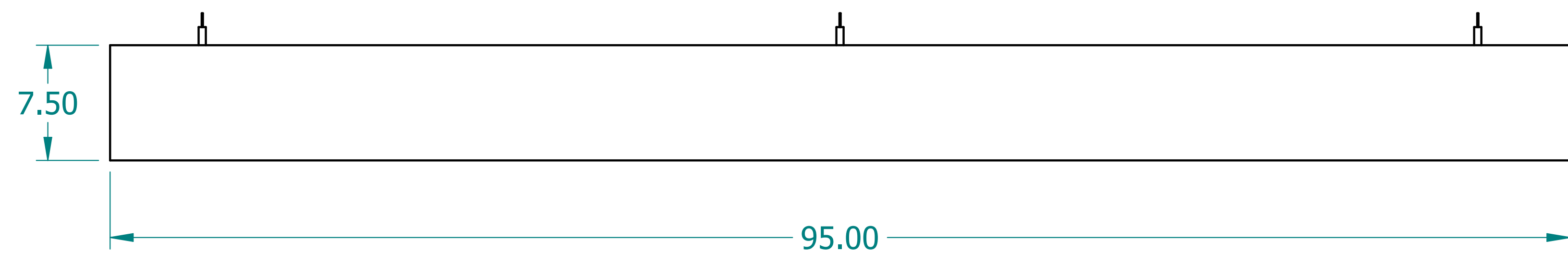
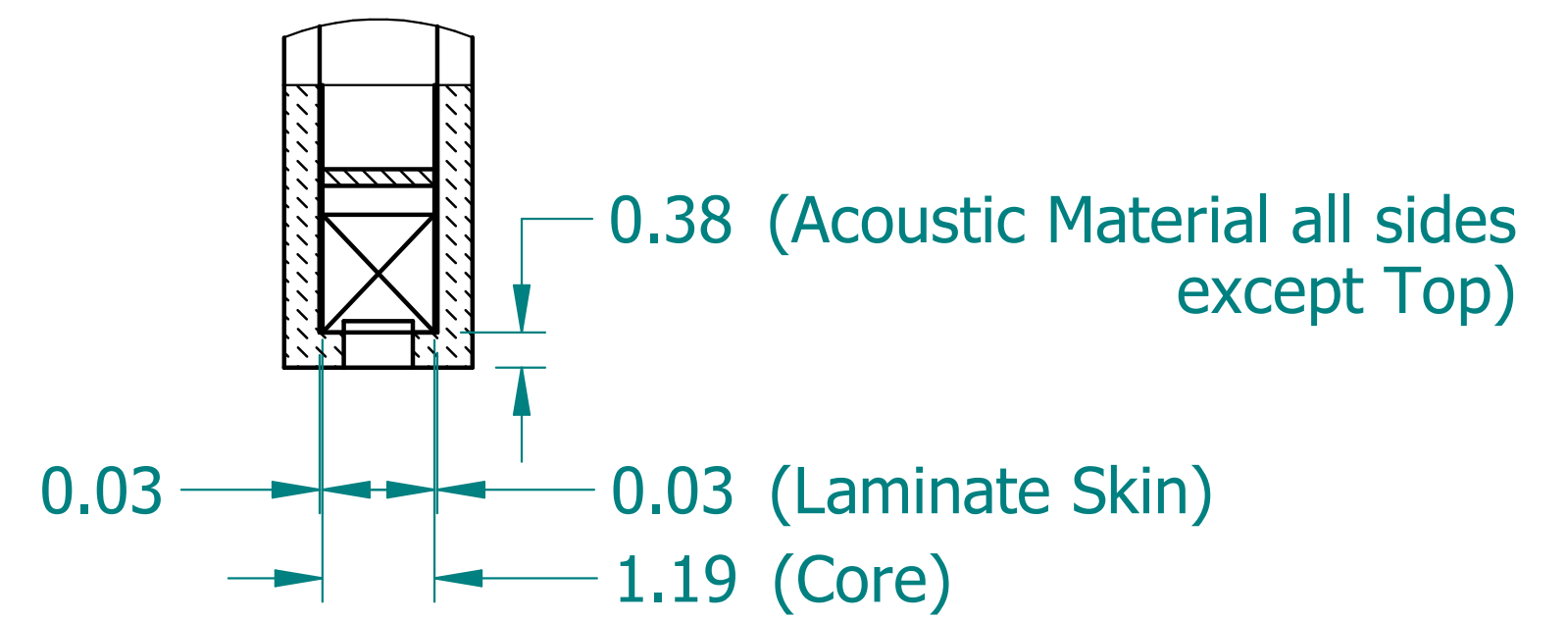
REVISION HISTORY			
REV.	DESCRIPTION	DATE	APPROVED



SECTION A-A



DETAIL B



	NAME	DATE
DRAWN	CBS	11/01/23
ENG APPR	CBS	03/27/24



UNLESS OTHERWISE SPECIFIED DIMENSIONS ARE IN 'INCHES'  
 ANGLES  $\pm 0.8^\circ$  ; 2 PL  $\pm 0.040$  ;  
 3 PL  $\pm 0.020$

TITLE <b>Illuminated Acoustic Blade</b>		
SUBTITLE 96"x8"x2"		
PART NO: IXABlade-054-XX	REV. 1.0	
SIZE: 34"x22"	SCALE: 0.17	SHEET 1 OF 1
FILE NAME: Illuminated Acoustic Blade (96.8.2).dft		