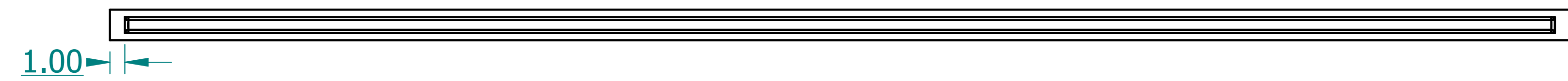
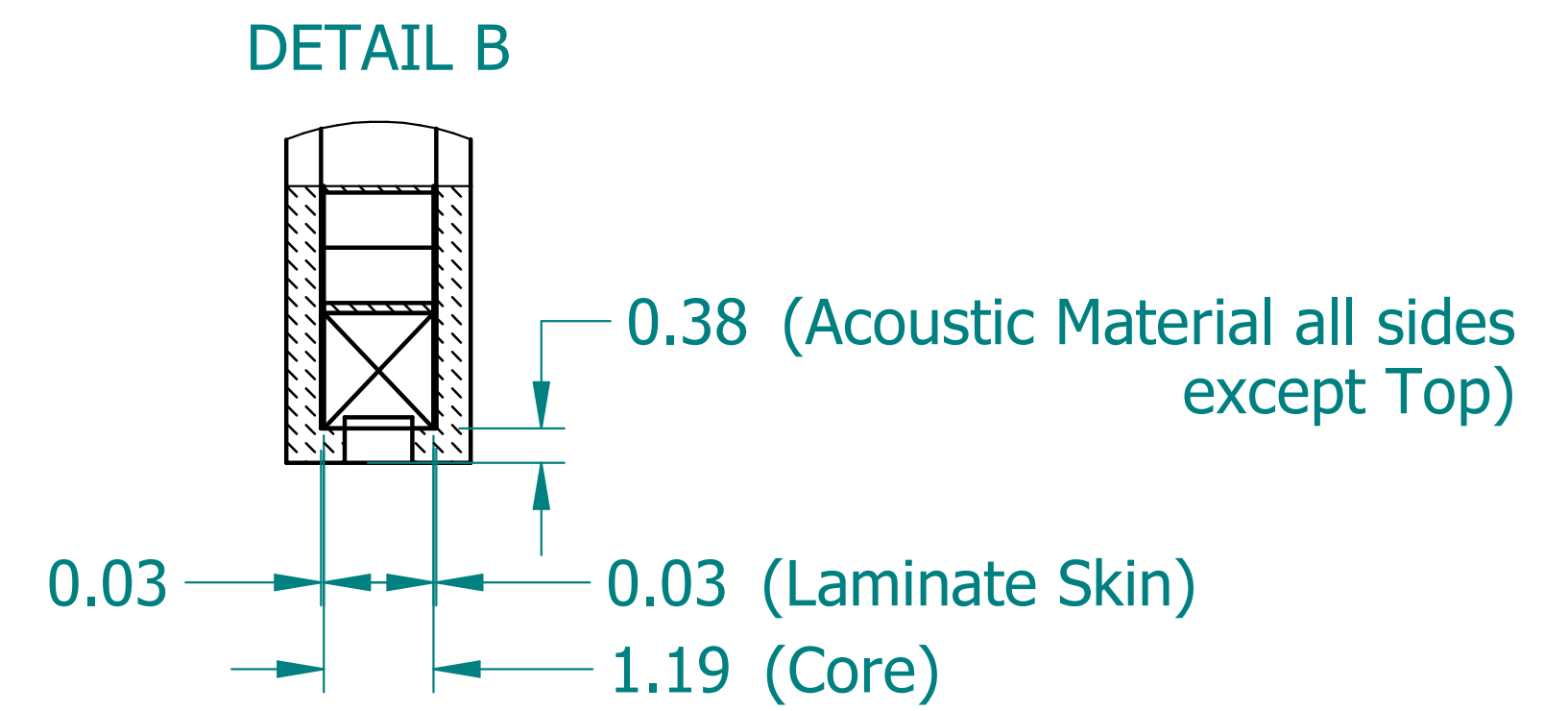
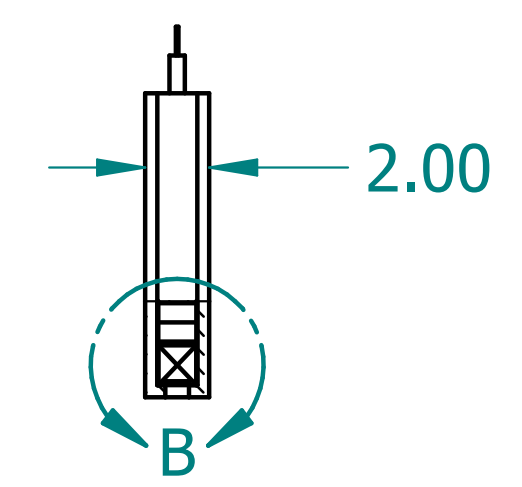
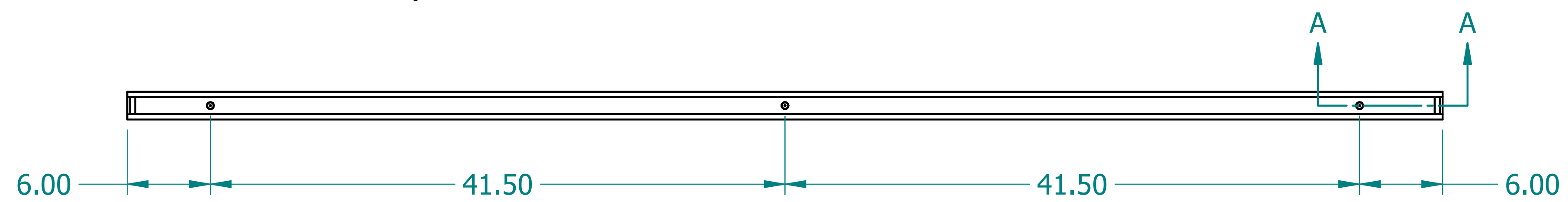
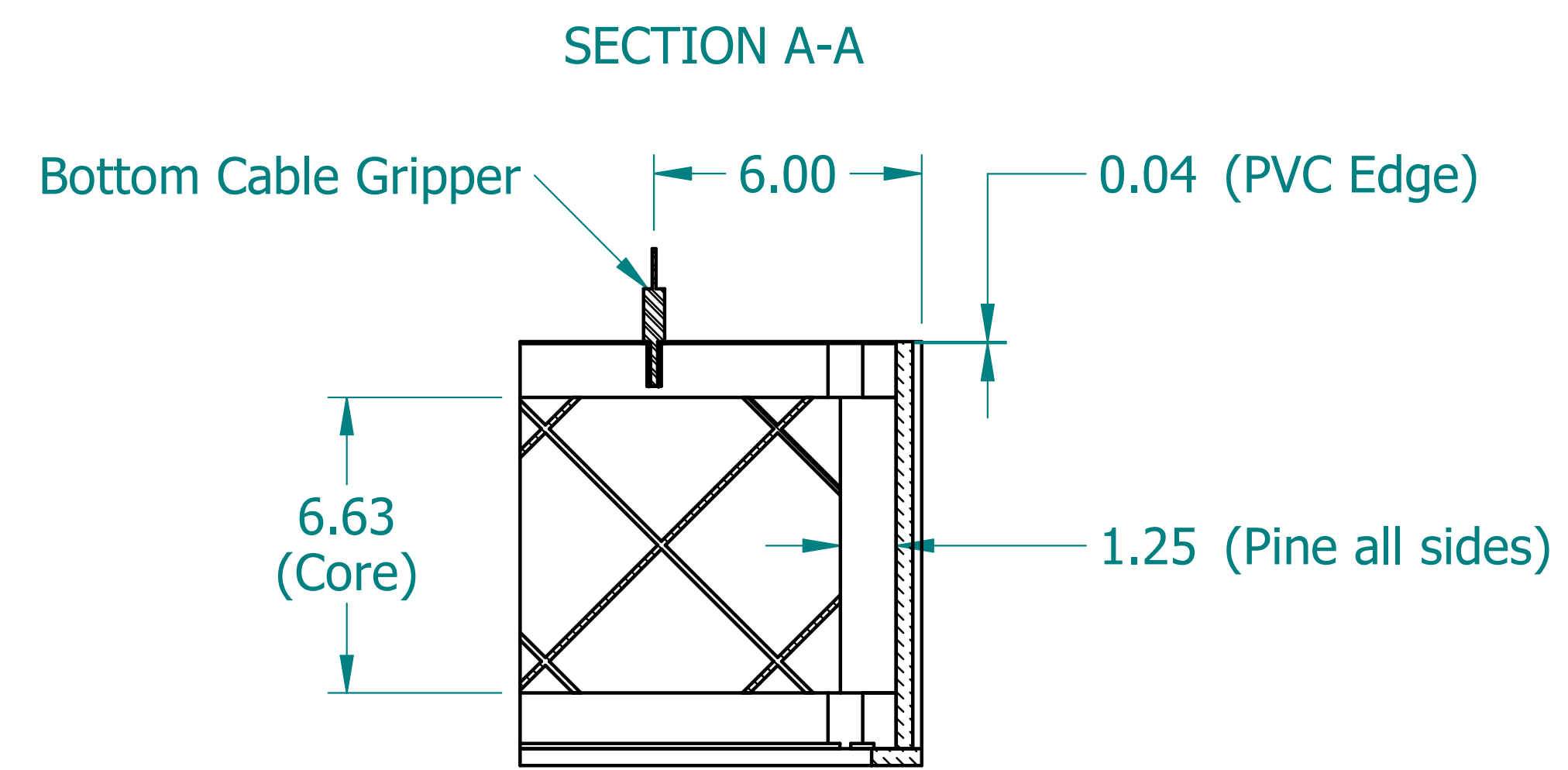
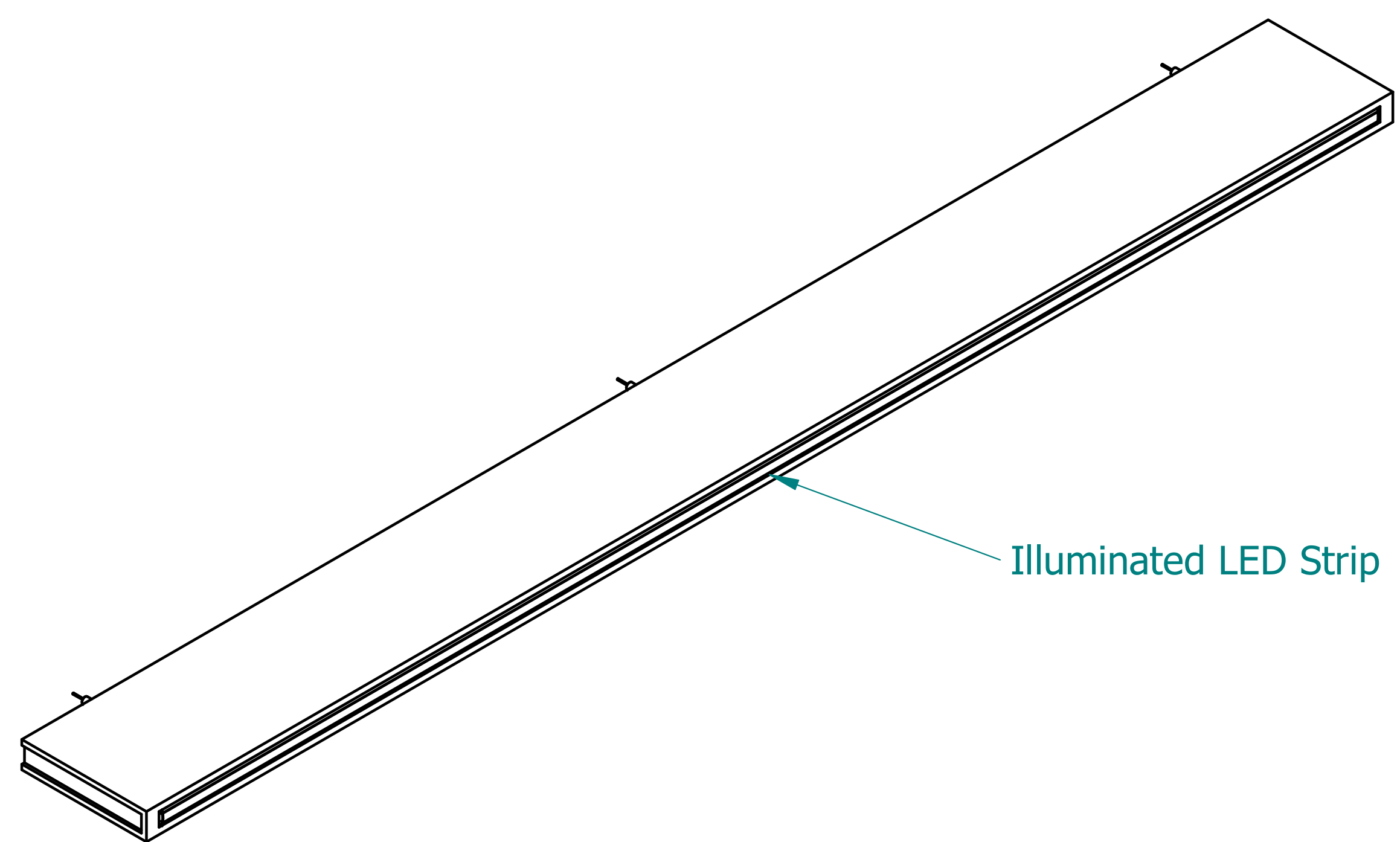


REVISION HISTORY			
REV.	DESCRIPTION	DATE	APPROVED



NAME	DATE	
DRAWN CBS	11/01/23	
ENG APPR CBS	03/27/24	
		TITLE <b>Illuminated Acoustic Blade</b>
UNLESS OTHERWISE SPECIFIED DIMENSIONS ARE IN 'INCHES' ANGLES $\pm 0.8^\circ$ ; 2 PL $\pm 0.040$ ; 3 PL $\pm 0.020$		SUBTITLE 96"x10"x2"
PART NO: IXABlade-055-XX		REV. 1.0
SIZE: 34"x22"	SCALE: 0.17	SHEET 1 OF 1
FILE NAME: Illuminated Acoustic Blade (96.10.2).dft		