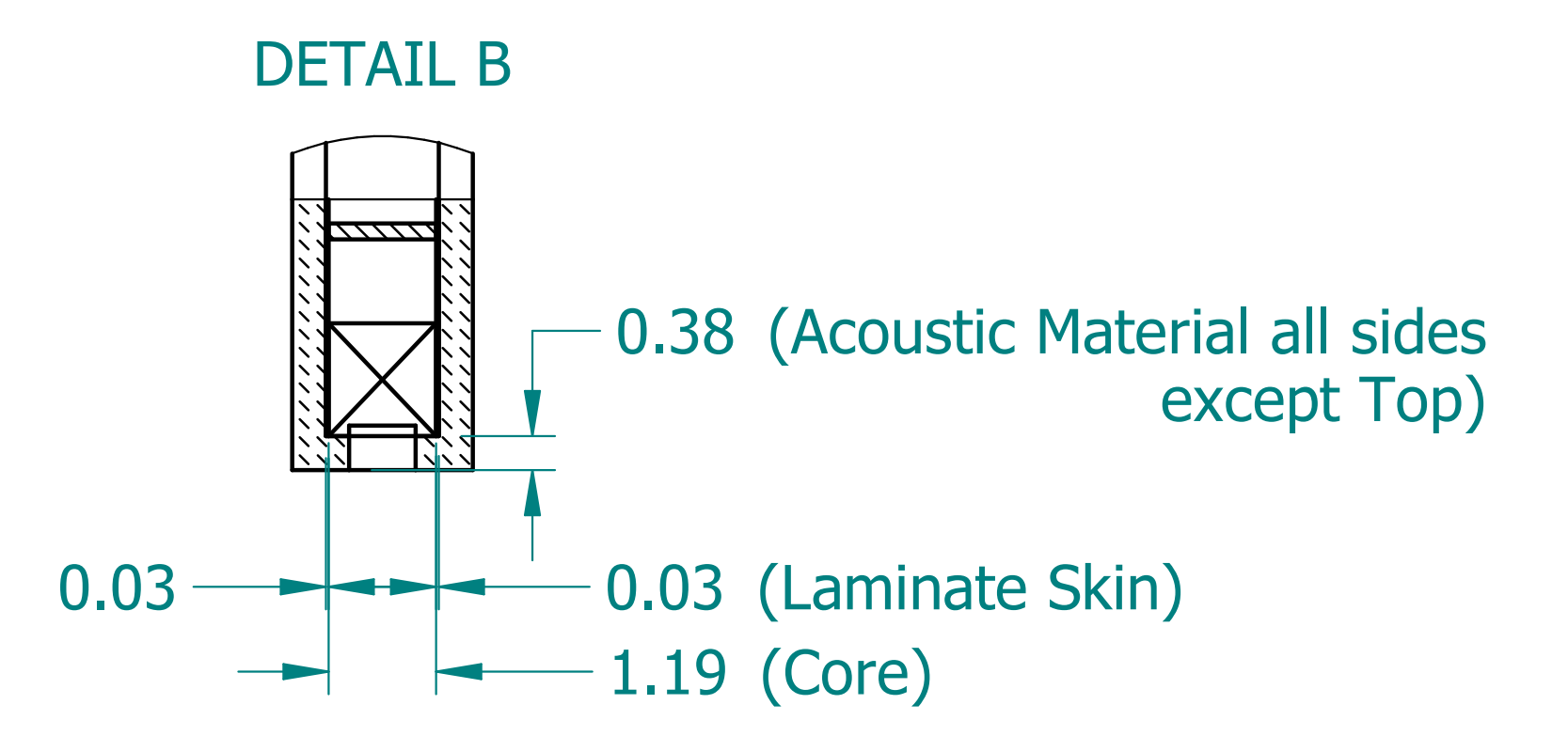
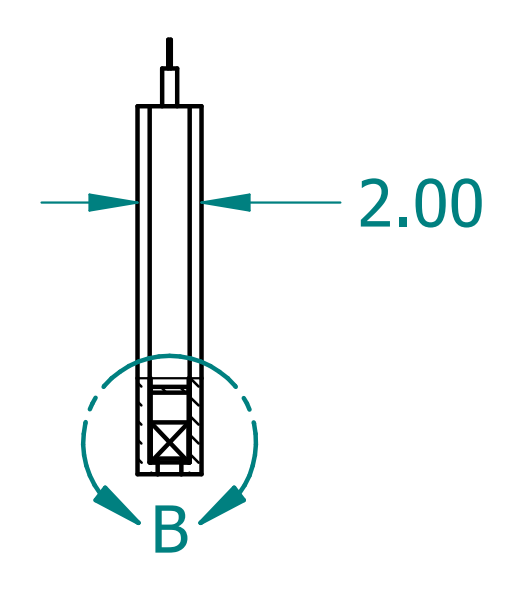
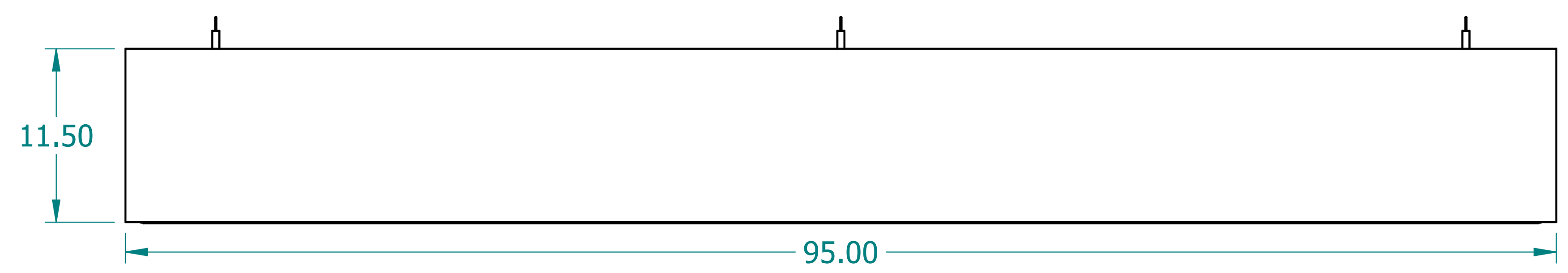
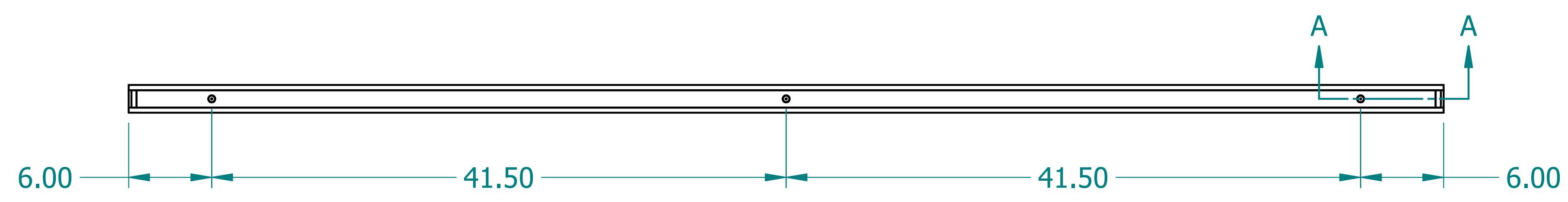
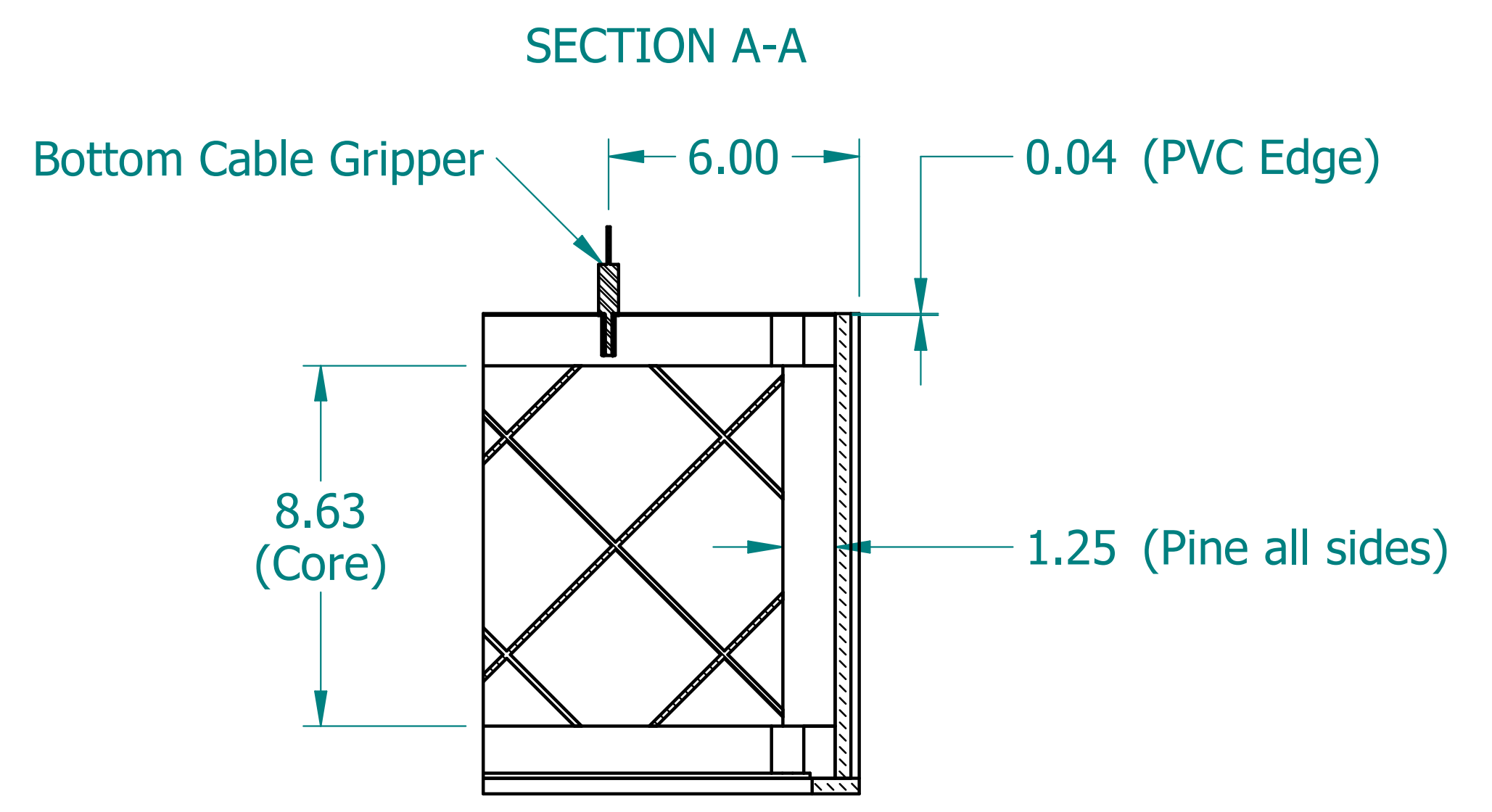
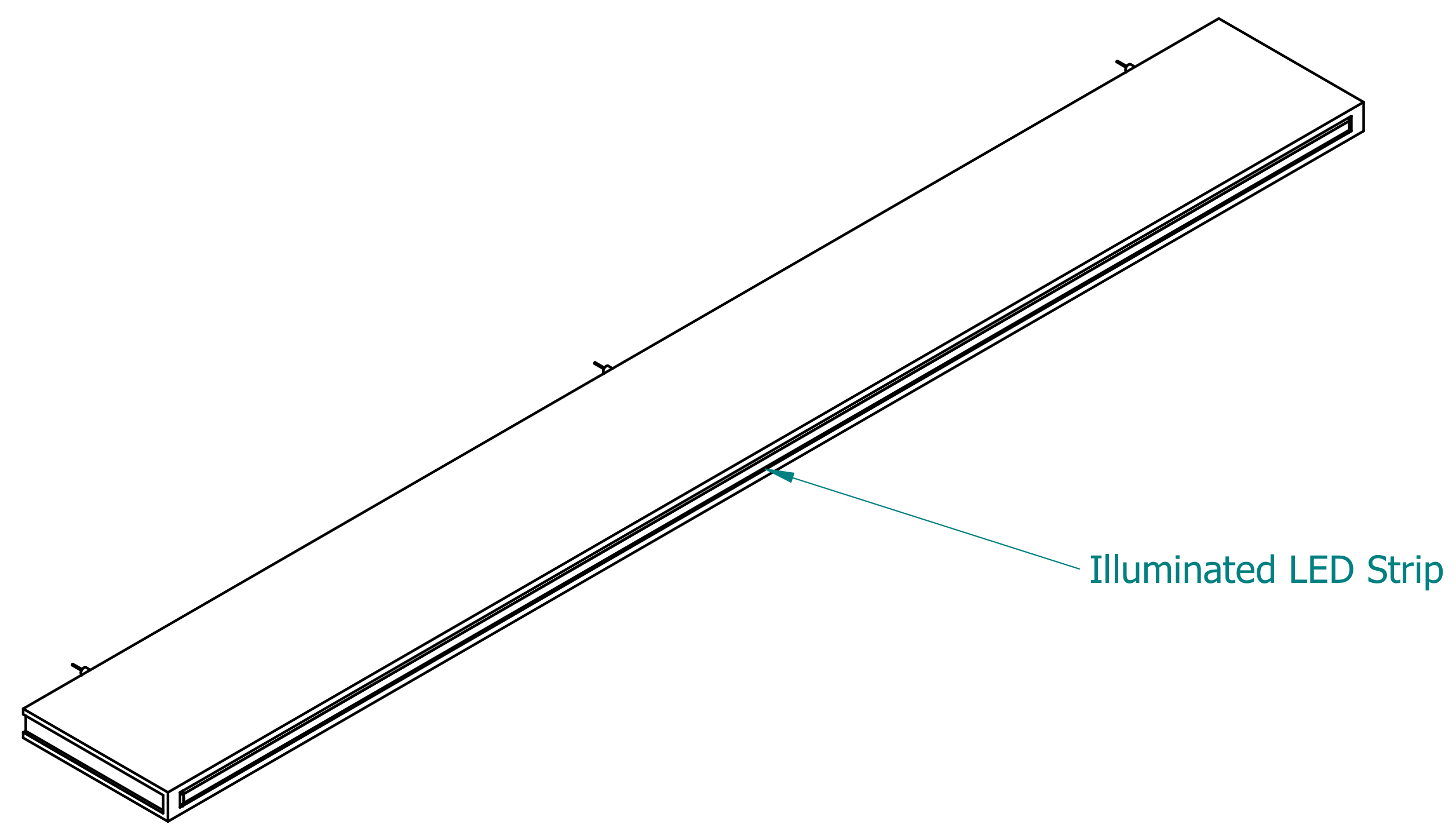


REVISION HISTORY			
REV.	DESCRIPTION	DATE	APPROVED



NAME	DATE	
DRAWN CBS	10/04/23	
ENG APPR CBS	03/27/24	
<p>UNLESS OTHERWISE SPECIFIED DIMENSIONS ARE IN 'INCHES'</p> <p>ANGLES <math>\pm 0.8^\circ</math> ; 2 PL <math>\pm 0.040</math> ; 3 PL <math>\pm 0.020</math></p>		<p>TITLE <b>Illuminated Acoustic Blade</b></p> <p>SUBTITLE 96"x12"x2"</p> <p>PART NO: IXABlade-056-XX</p> <p>SIZE: 34"x22"    SCALE: 0.17</p> <p>REV. 1.0</p> <p>SHEET 1 OF 1</p> <p>FILE NAME: Illuminated Acoustic Blade (96.12.2).dft</p>