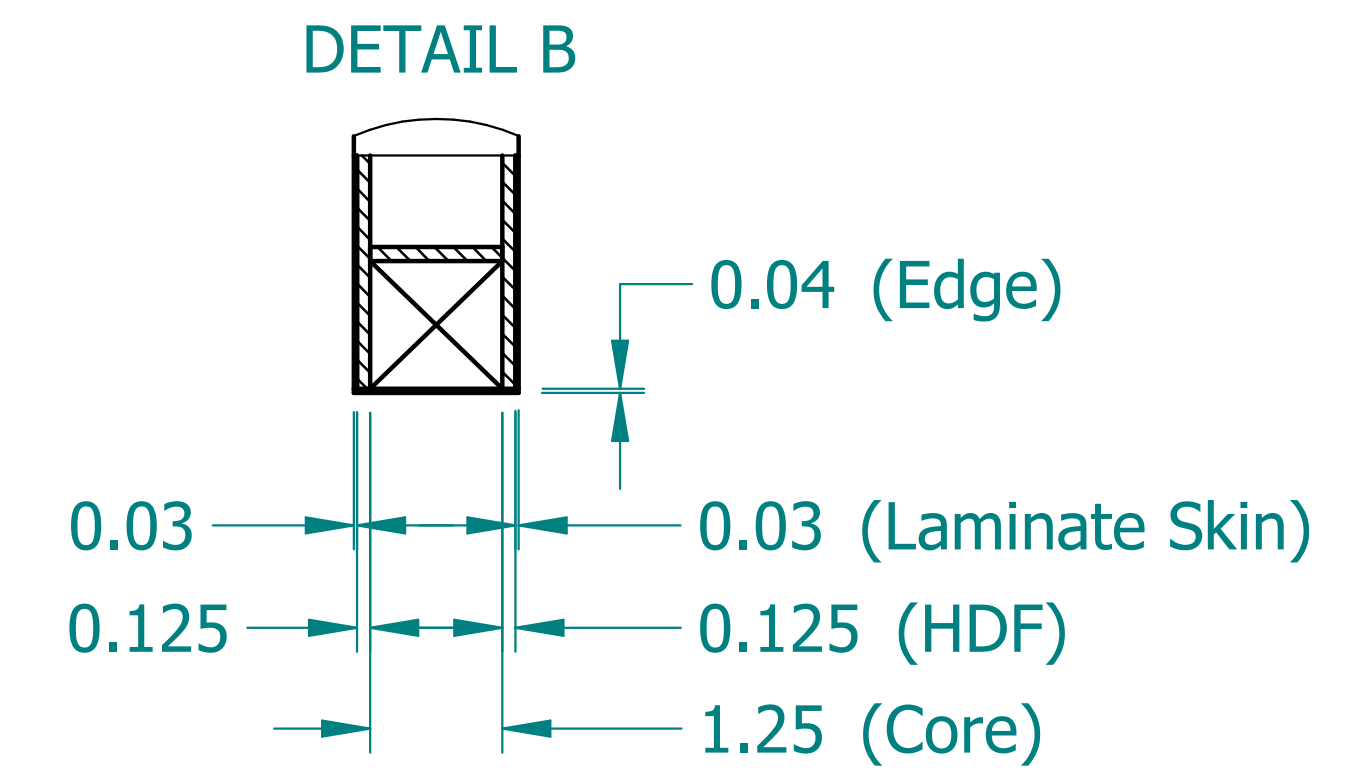
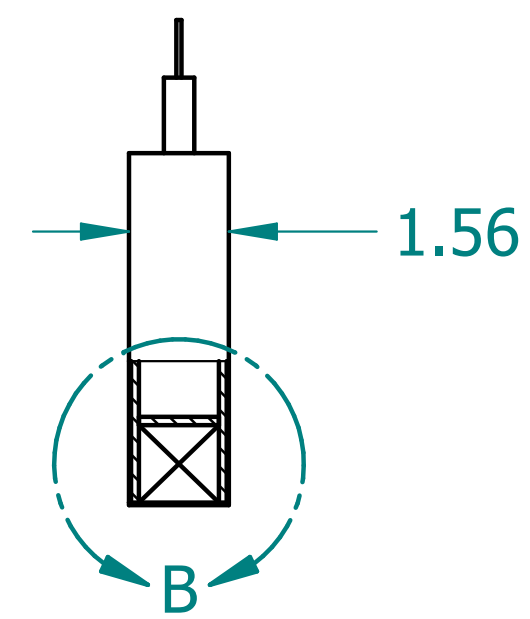
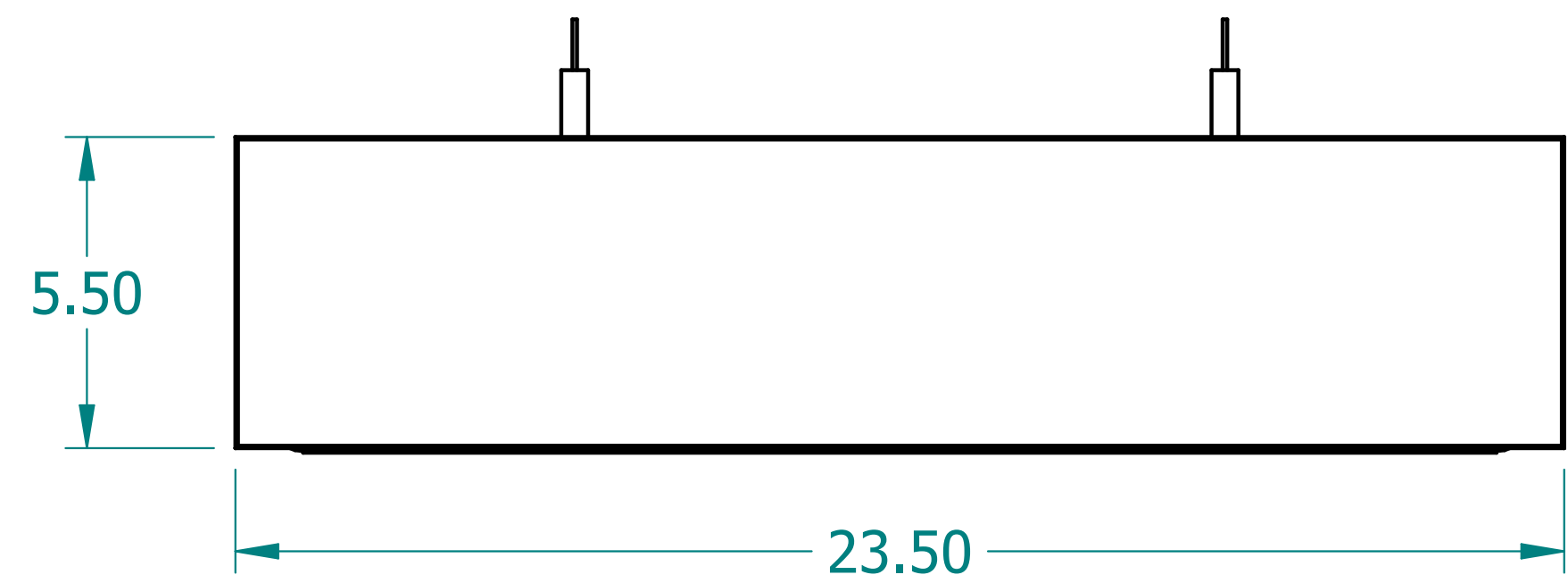
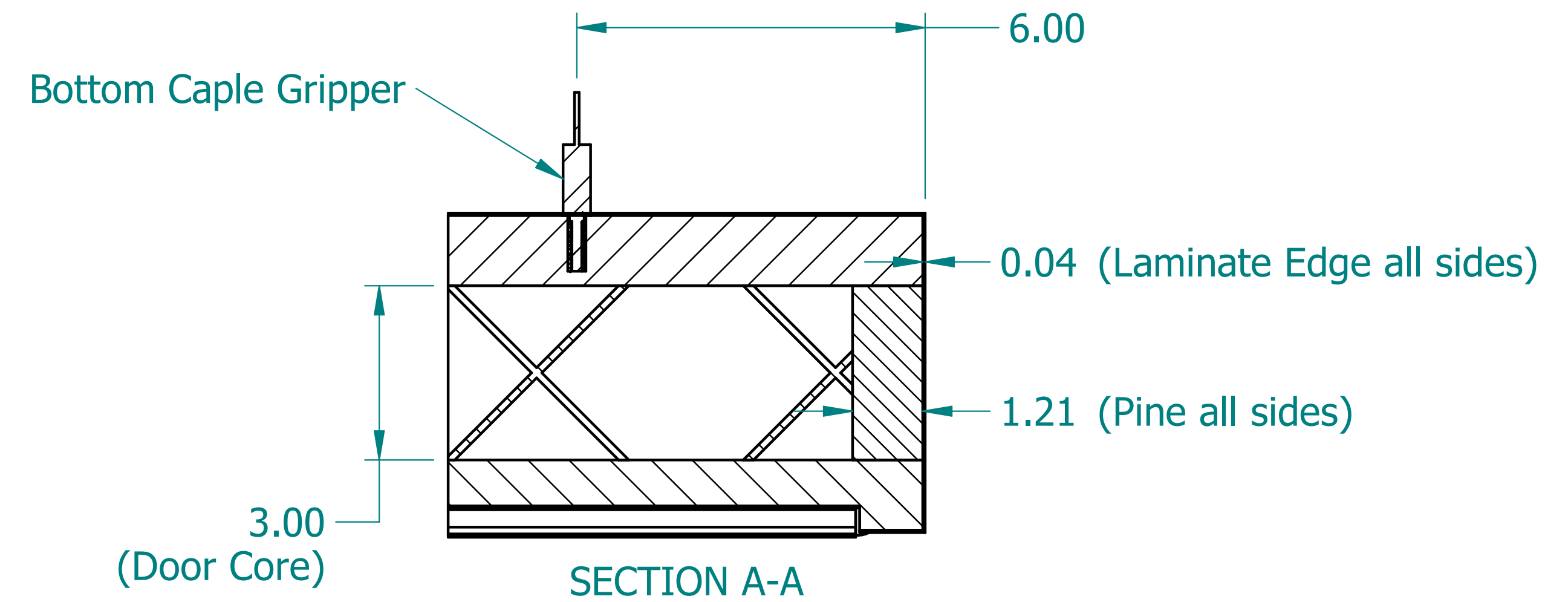
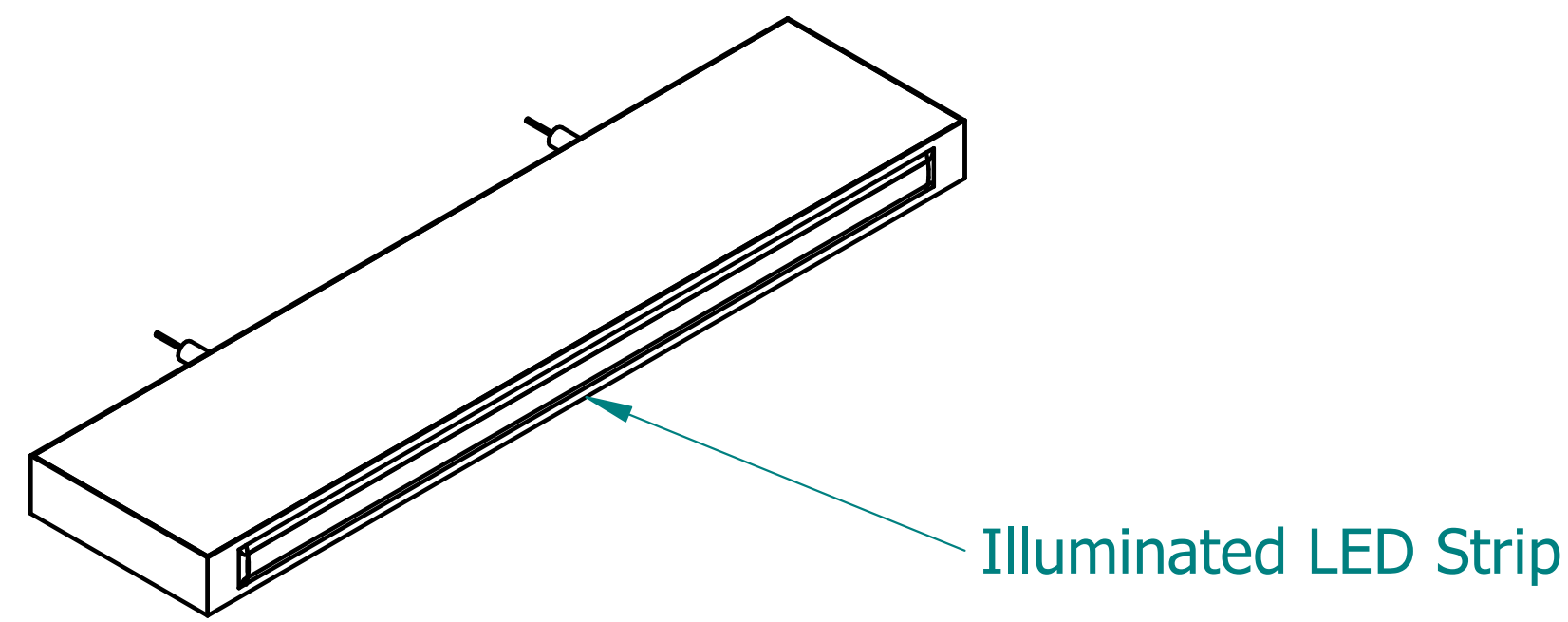
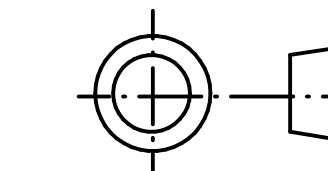


| REVISION HISTORY | | | |
|------------------|-------------|------|----------|
| REV. | DESCRIPTION | DATE | APPROVED |
| | | | |



| | | |
|----------|------|----------|
| | NAME | DATE |
| DRAWN | CBS | 12/12/23 |
| ENG APPR | CBS | 12/12/23 |




 UNLESS OTHERWISE SPECIFIED
 DIMENSIONS ARE IN
'INCHES'
 ANGLES $\pm 0.8^\circ$; 2 PL ± 0.040 ;
 3 PL ± 0.020

| | |
|--|-------------|
| TITLE Illuminated Laminate Beam | |
| SUBTITLE 24"x6"x1.5" | |
| PART NO: IXBeam-001-XX | REV. 1.0 |
| SIZE: 34"x22" | SCALE: 0.33 |
| SHEET 1 OF 1 | |
| FILE NAME: Illuminated Laminated Beam (24.6.1.5).dft | |