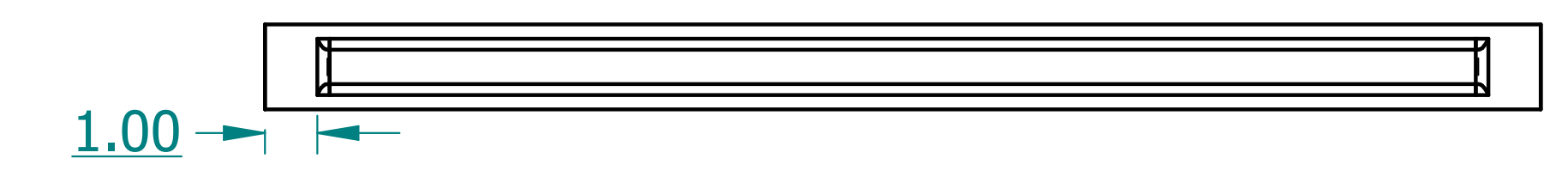
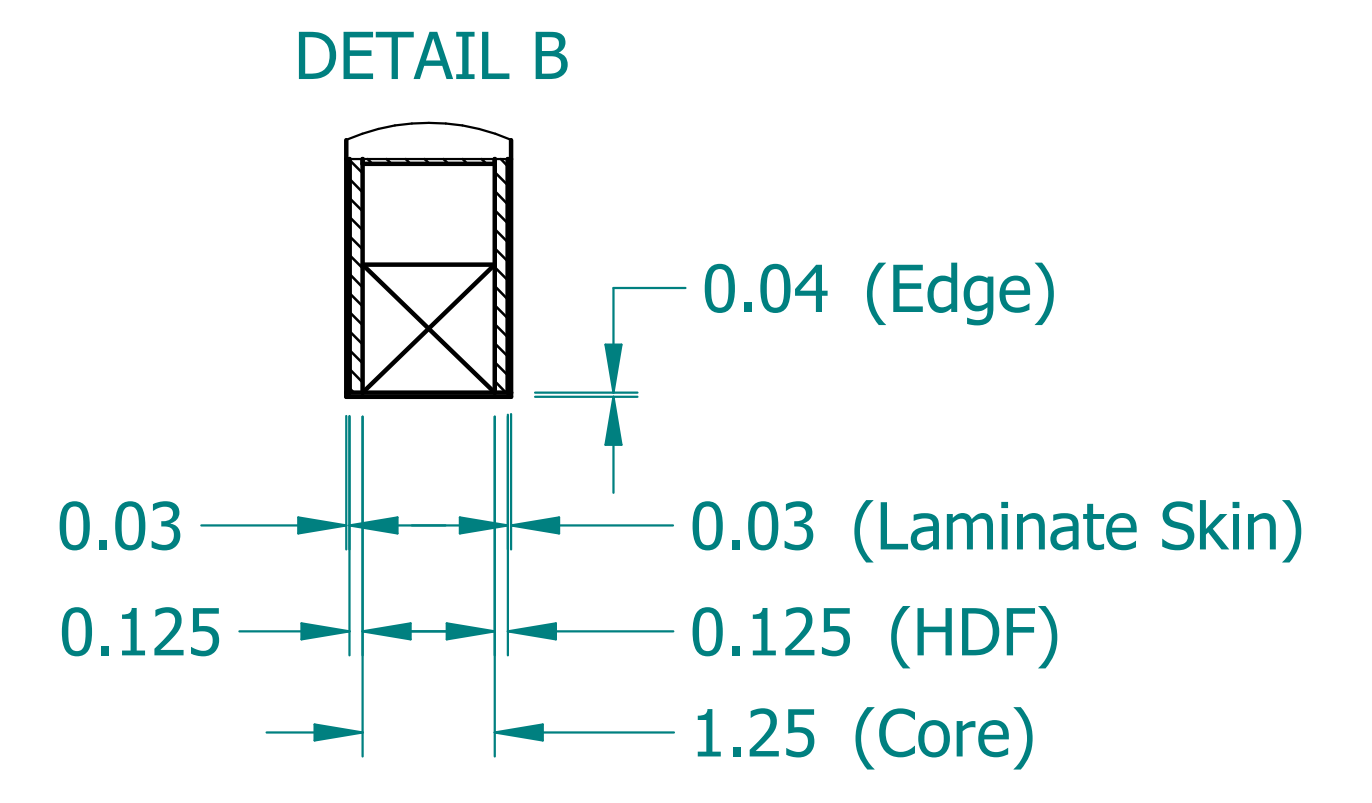
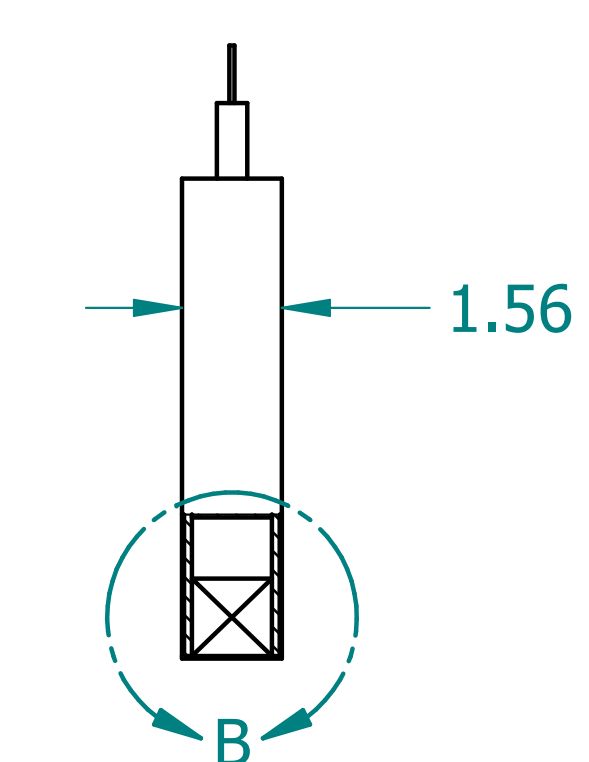
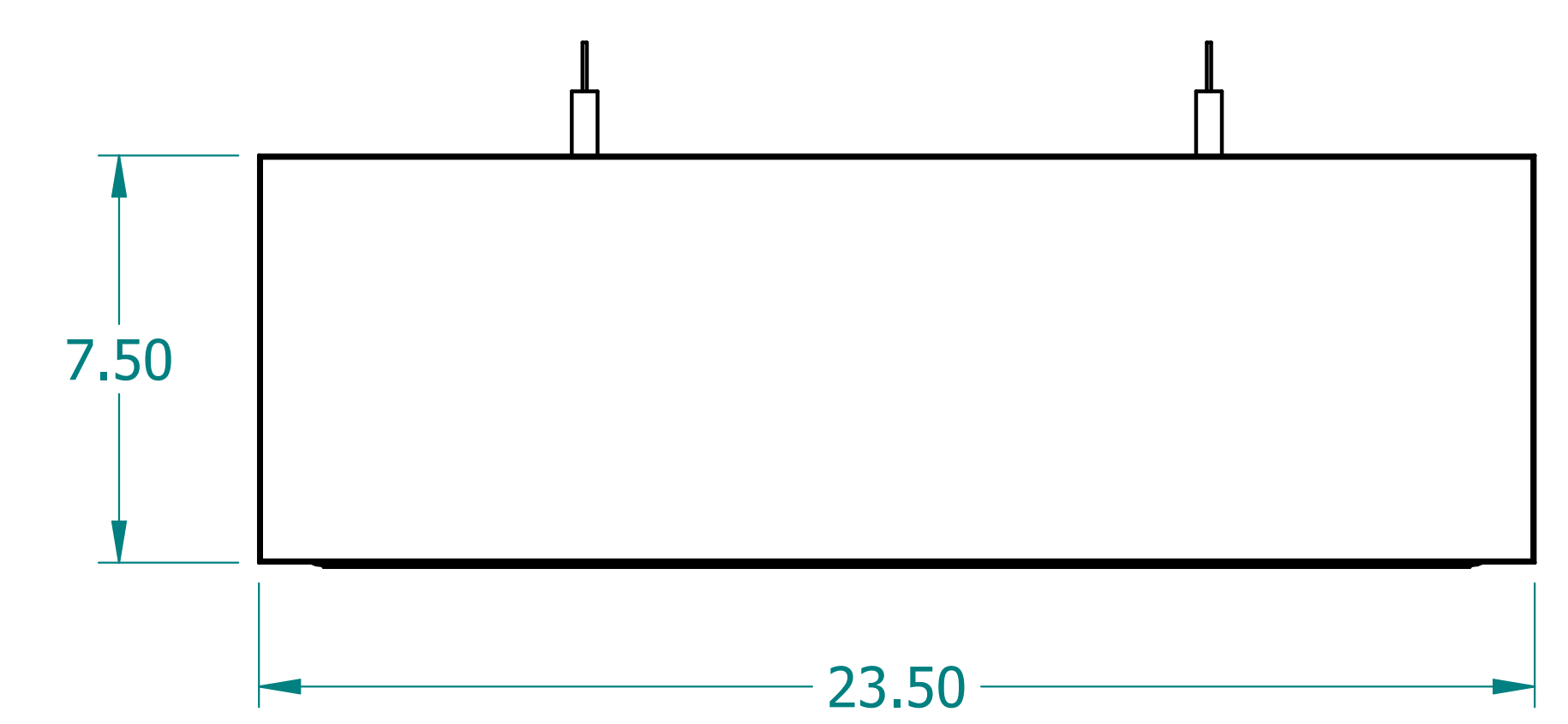
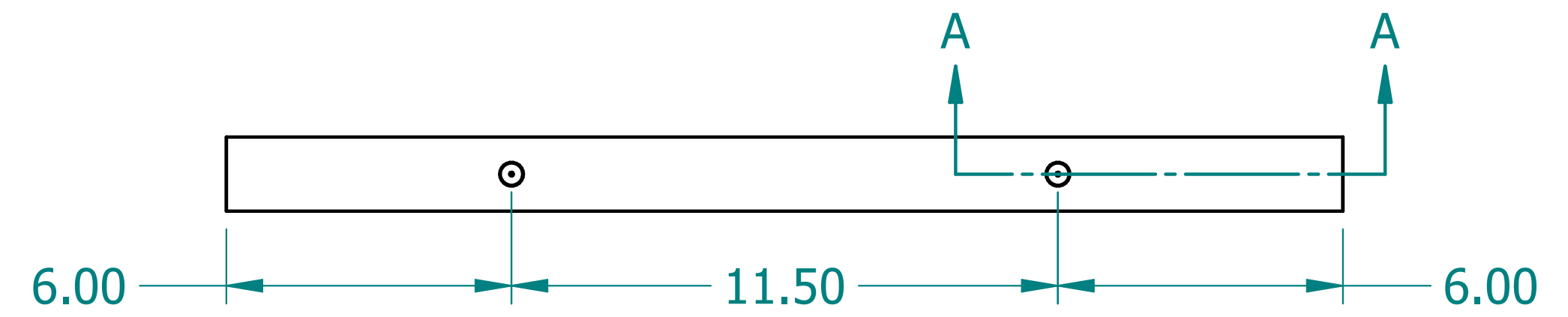
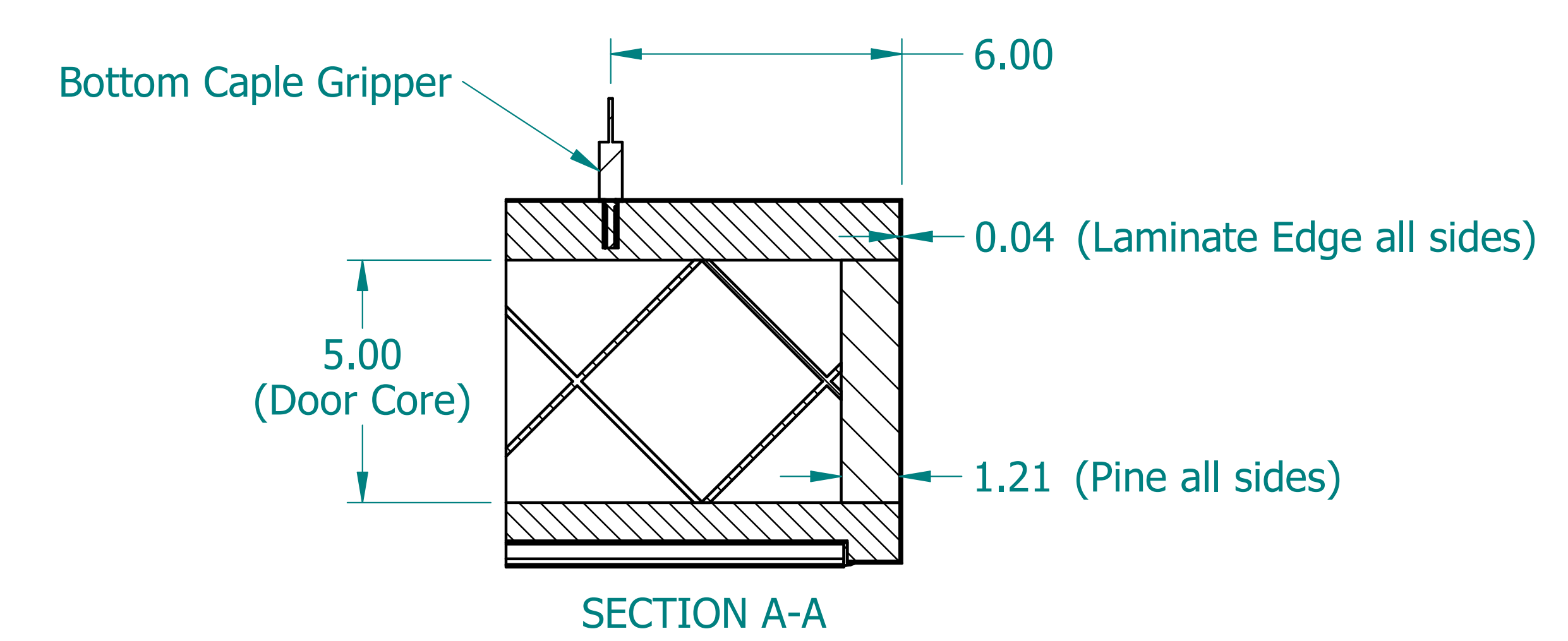
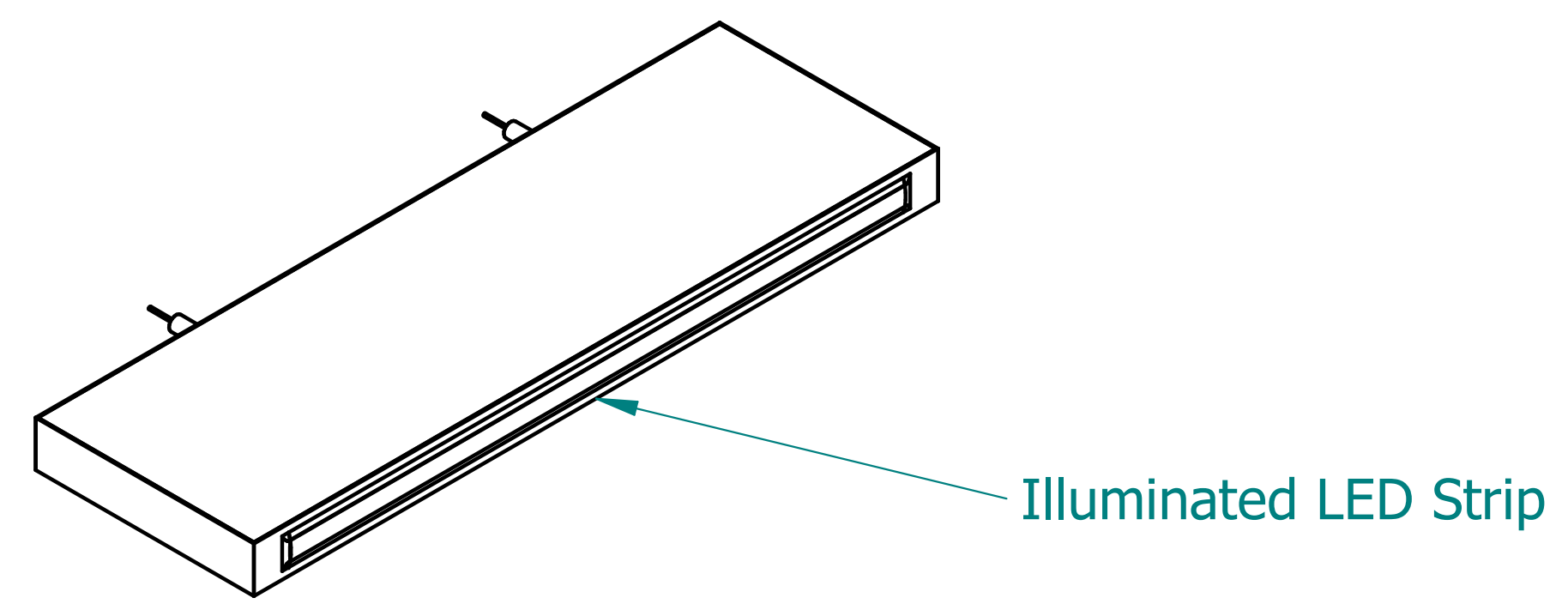


REVISION HISTORY			
REV.	DESCRIPTION	DATE	APPROVED



NAME	DATE	
DRAWN CBS	12/12/23	
ENG APPR CBS	12/12/23	
		TITLE
UNLESS OTHERWISE SPECIFIED DIMENSIONS ARE IN 'INCHES' ANGLES ±0.8° ; 2 PL ±0.040 ; 3 PL ±0.020		<b>Illuminated Laminate Beam</b>
		SUBTITLE
		24"x8"x1.5"
		PART NO: IXBeam-002-XX
		REV. 1.0
		SIZE: 34"x22" SCALE: 0.33 SHEET 1 OF 1
		FILE NAME: Illuminated Laminated Beam (24.8.1.5).dft