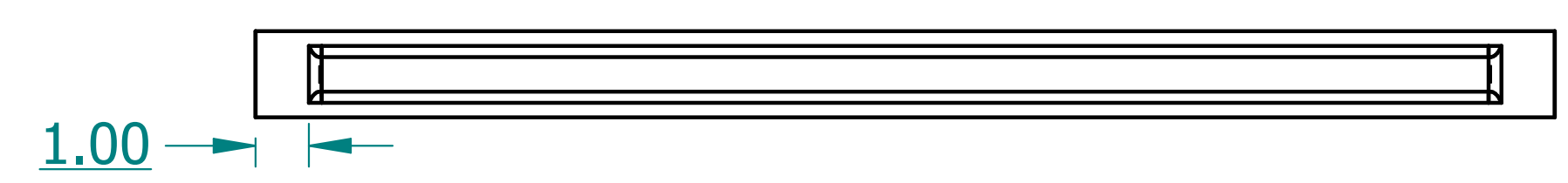
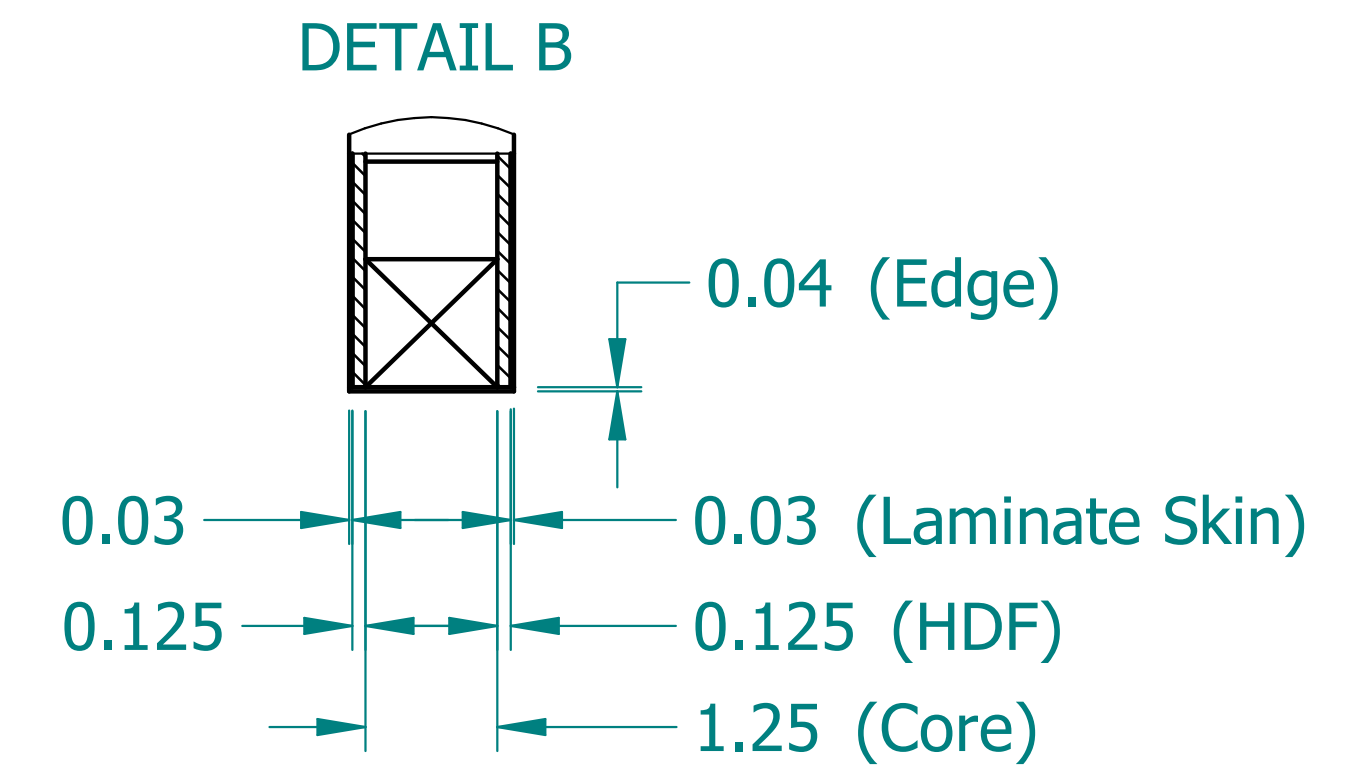
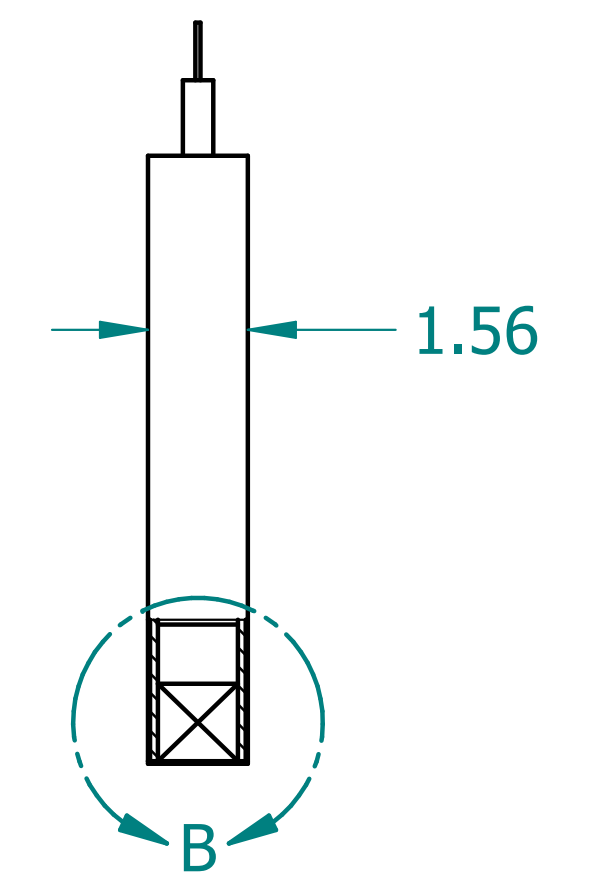
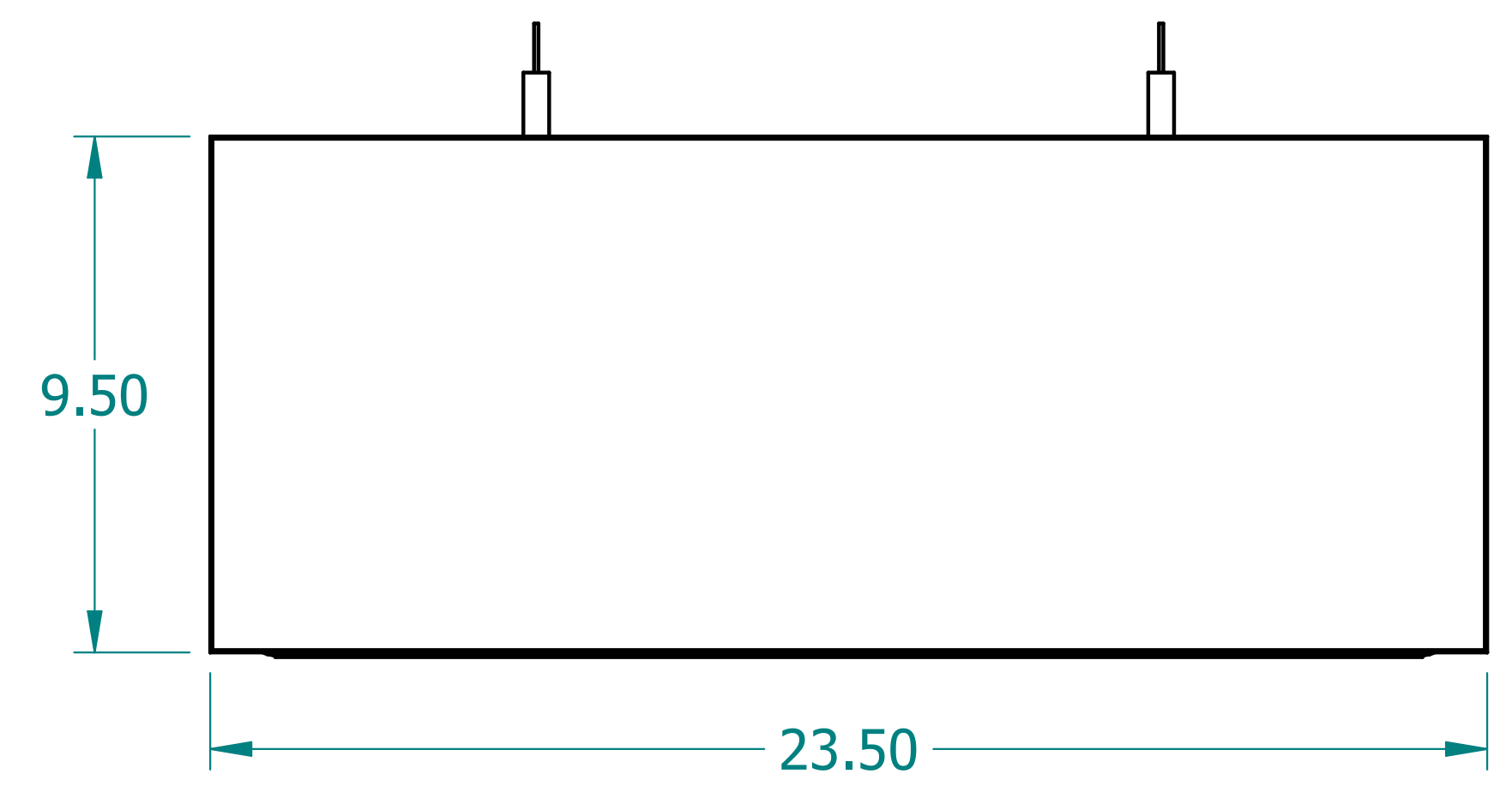
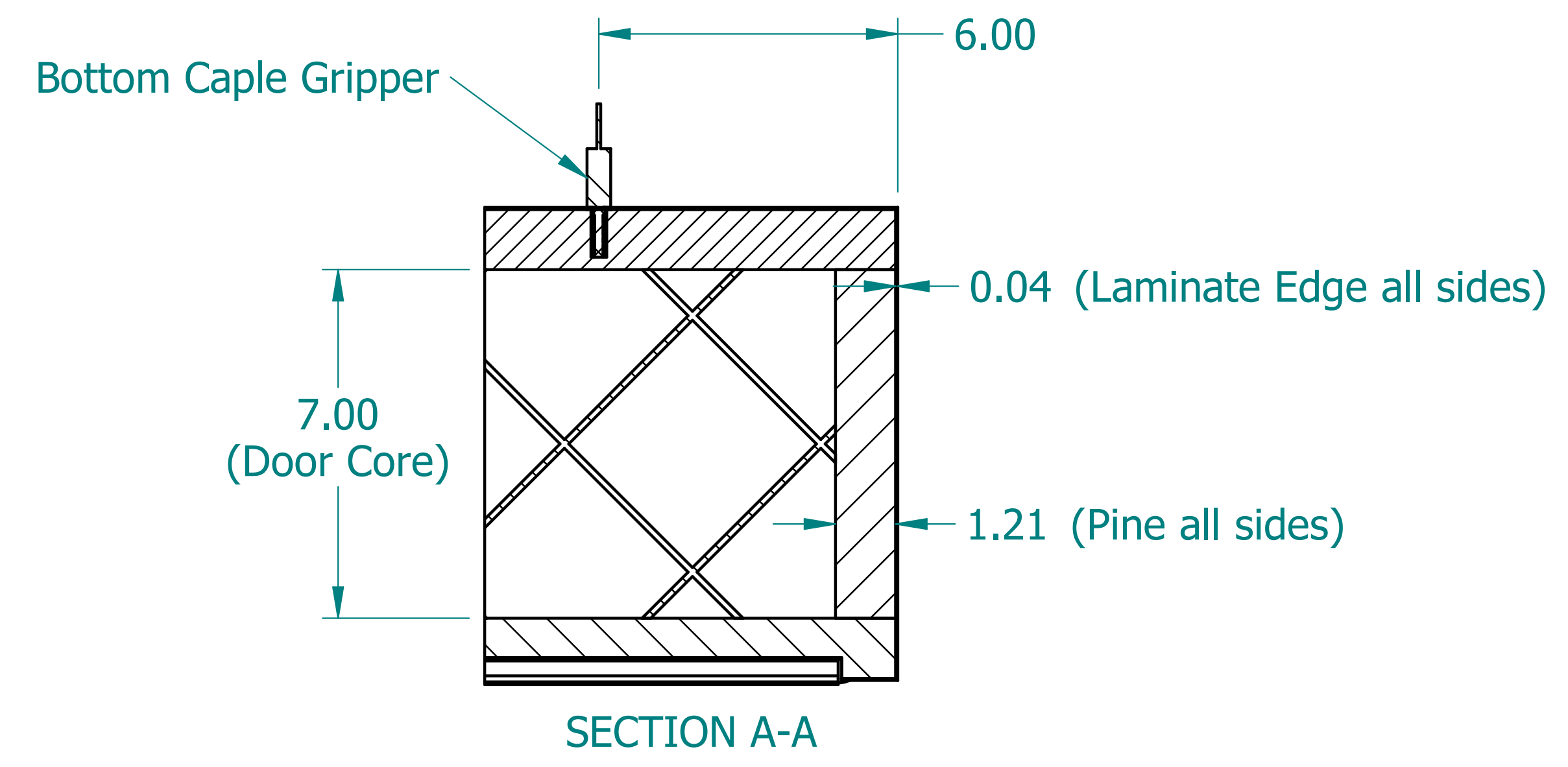
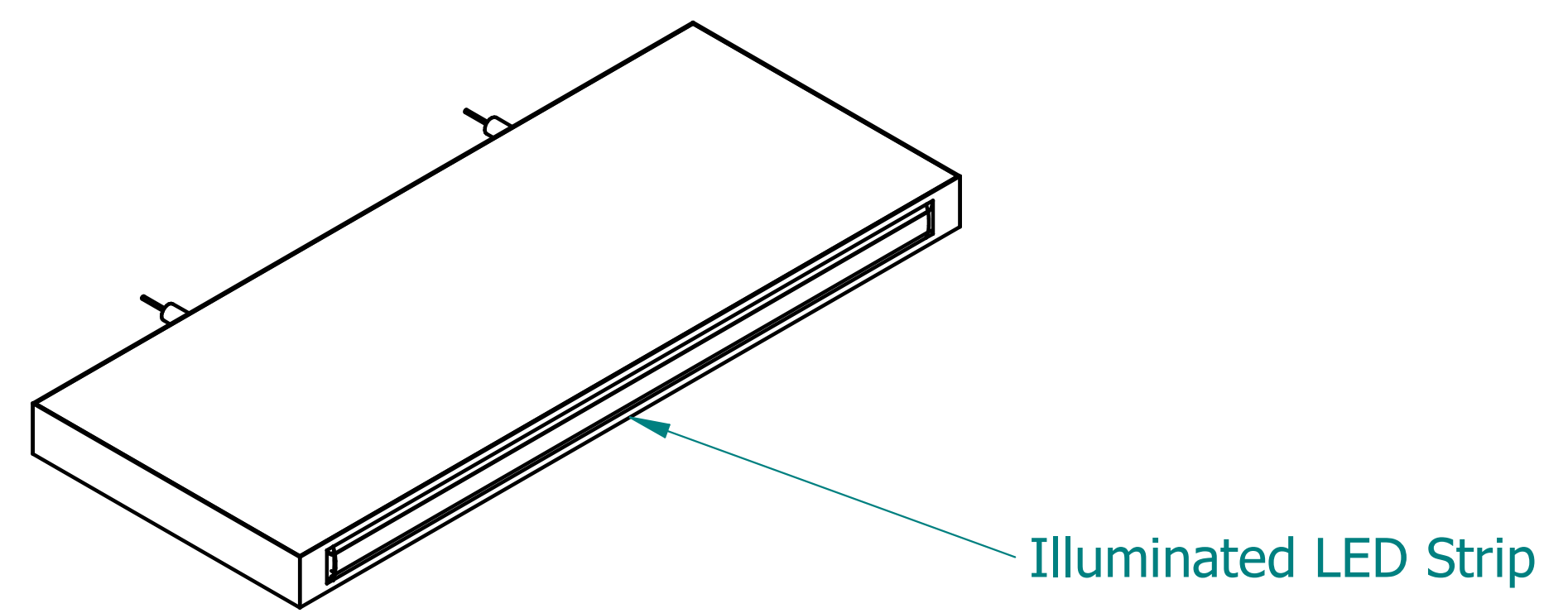


REVISION HISTORY			
REV.	DESCRIPTION	DATE	APPROVED



	NAME	DATE		
DRAWN	CBS	12/12/23		
ENG APPR	CBS	12/12/23		
<p>UNLESS OTHERWISE SPECIFIED DIMENSIONS ARE IN 'INCHES'</p> <p>ANGLES <math>\pm 0.8^\circ</math> ; 2 PL <math>\pm 0.040</math> ; 3 PL <math>\pm 0.020</math></p>			<p>TITLE <b>Illuminated Laminate Beam</b></p> <p>SUBTITLE 24"x10"x1.5"</p> <p>PART NO: IXBeam-003-XX      REV. 1.0</p> <p>SIZE: 34"x22"      SCALE: 0.33      SHEET 1 OF 1</p> <p>FILE NAME: Illuminated Laminated Beam (24.10.1.5).dft</p>	