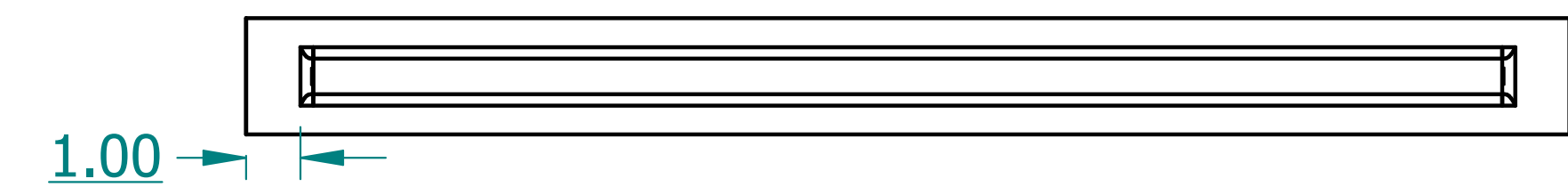
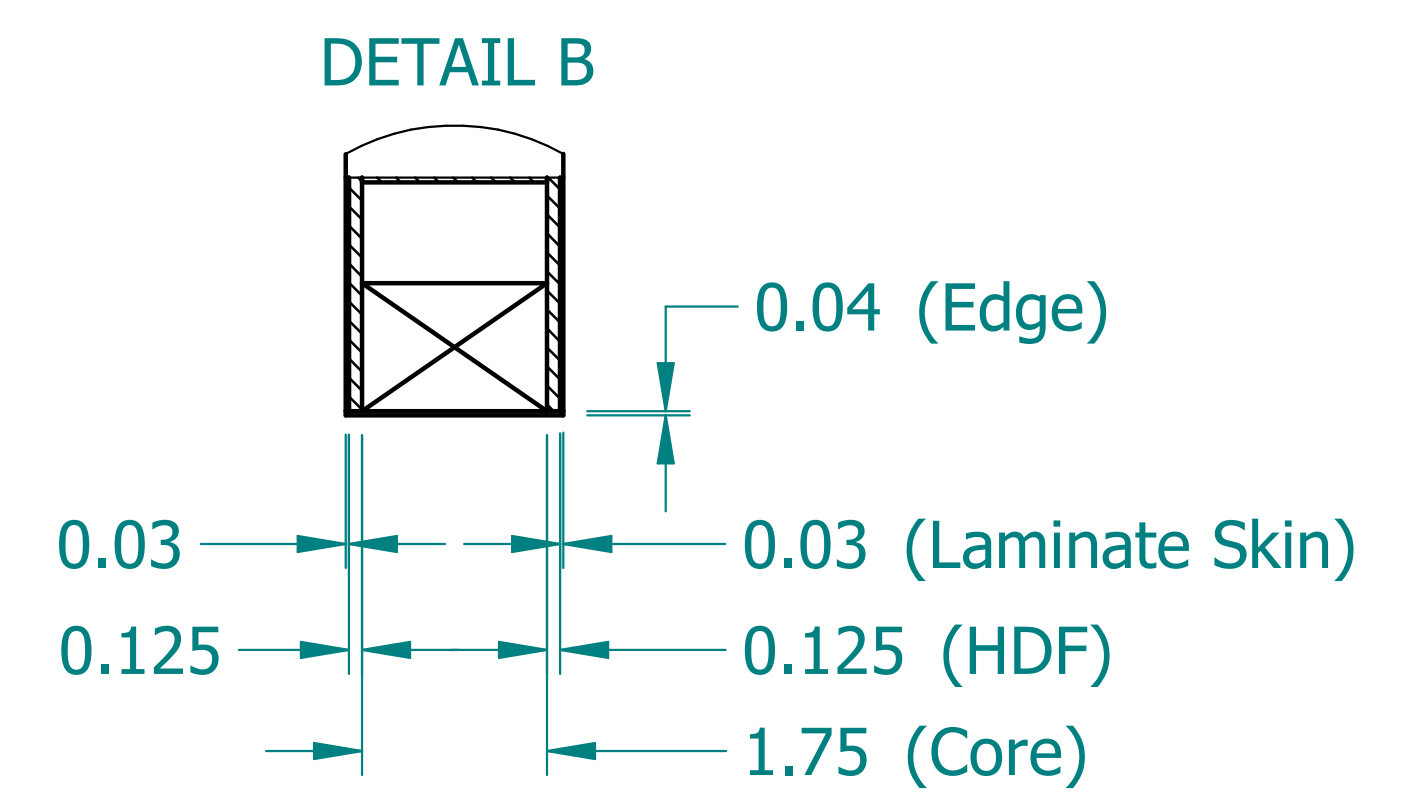
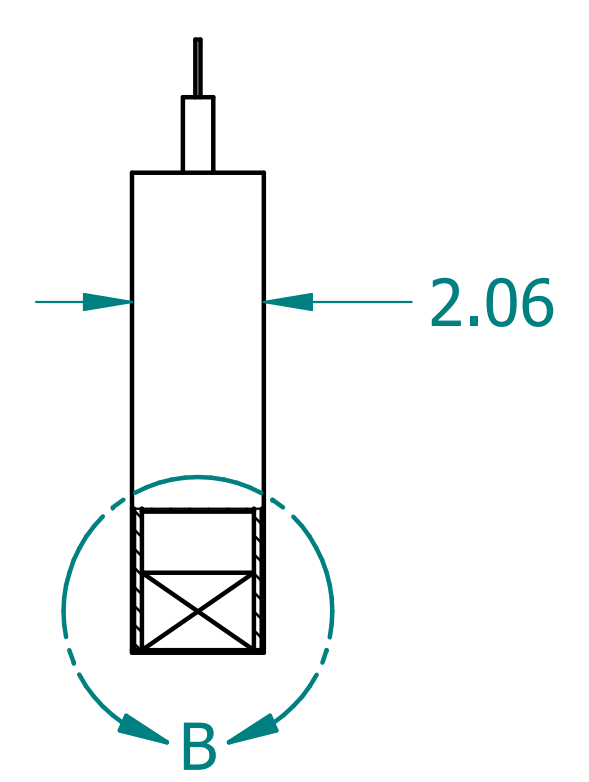
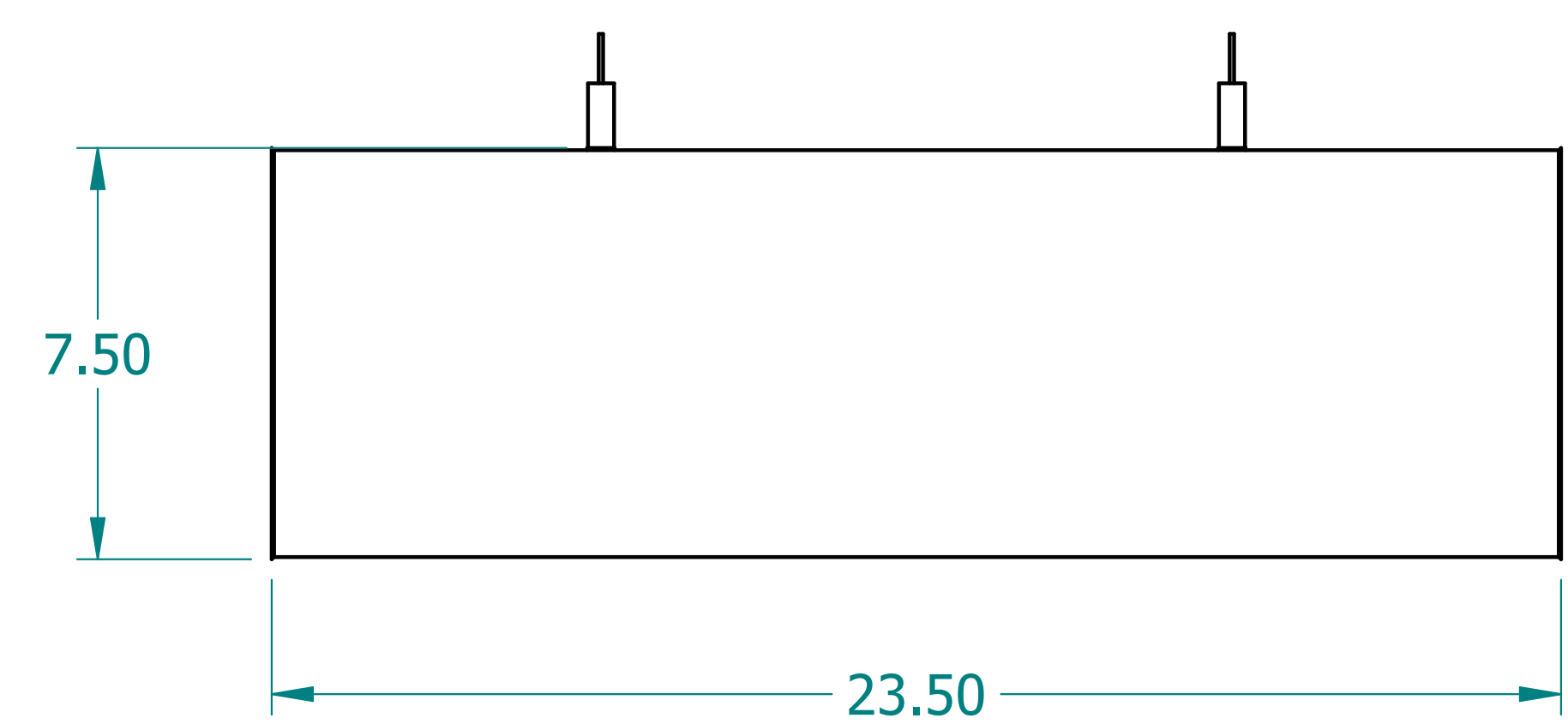
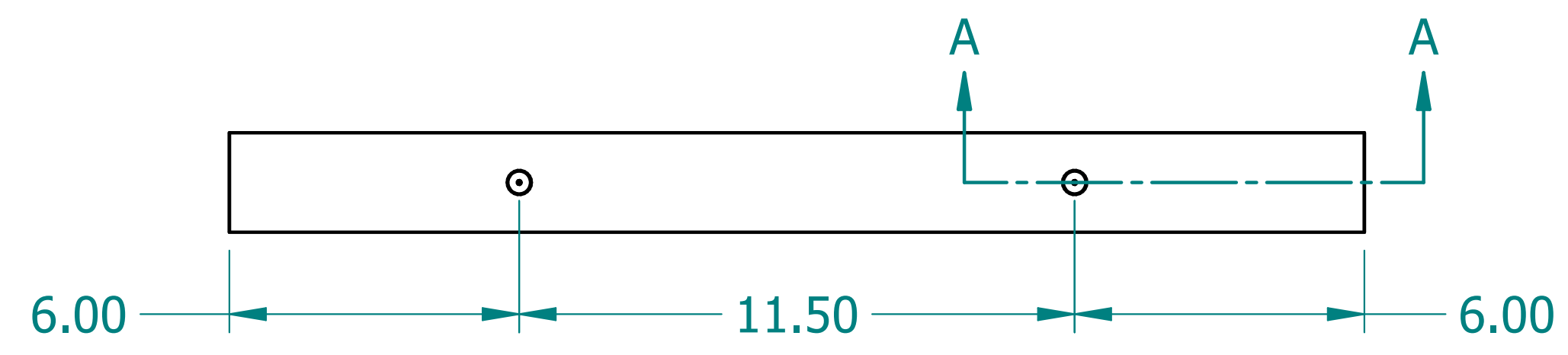
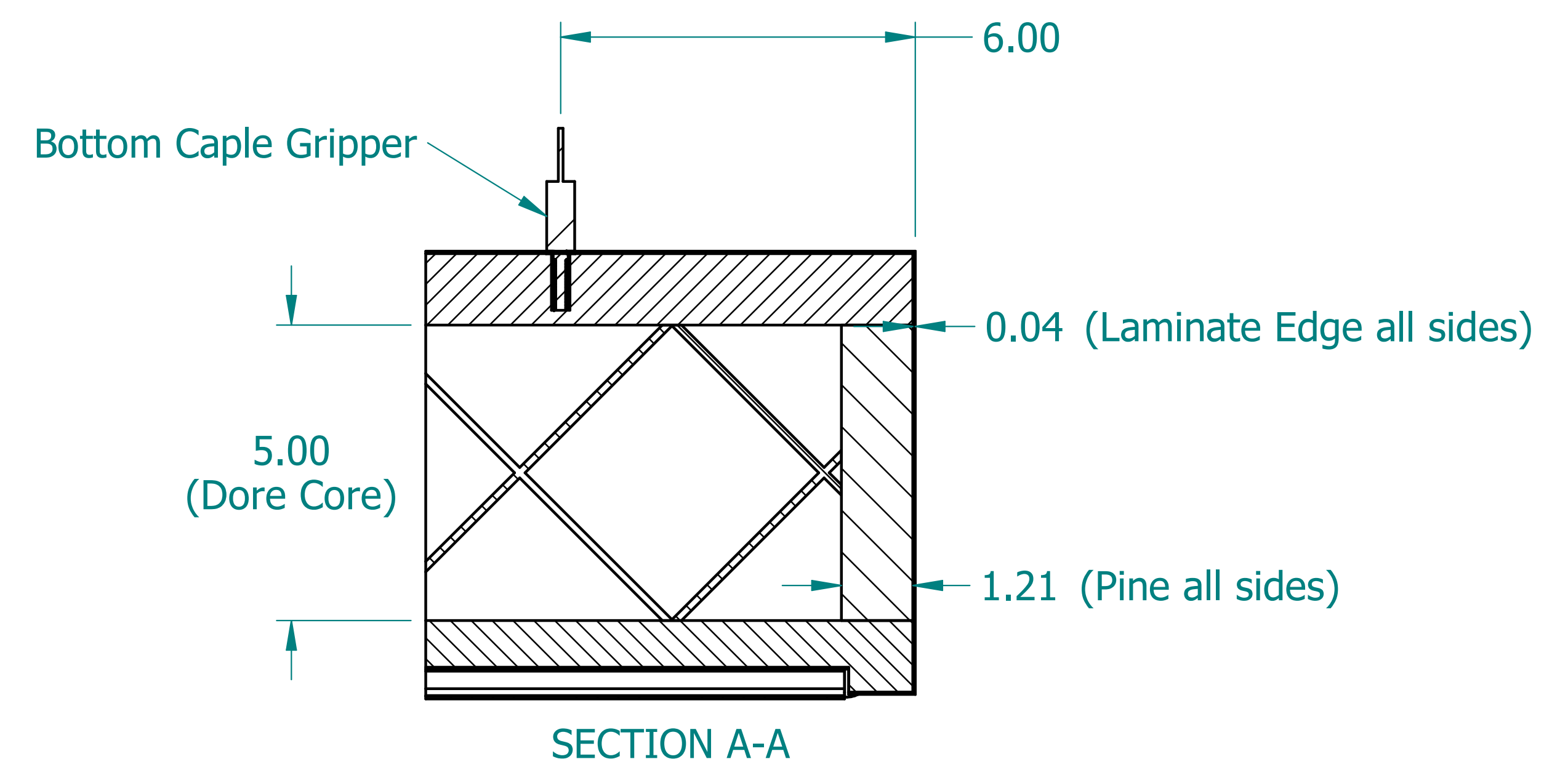
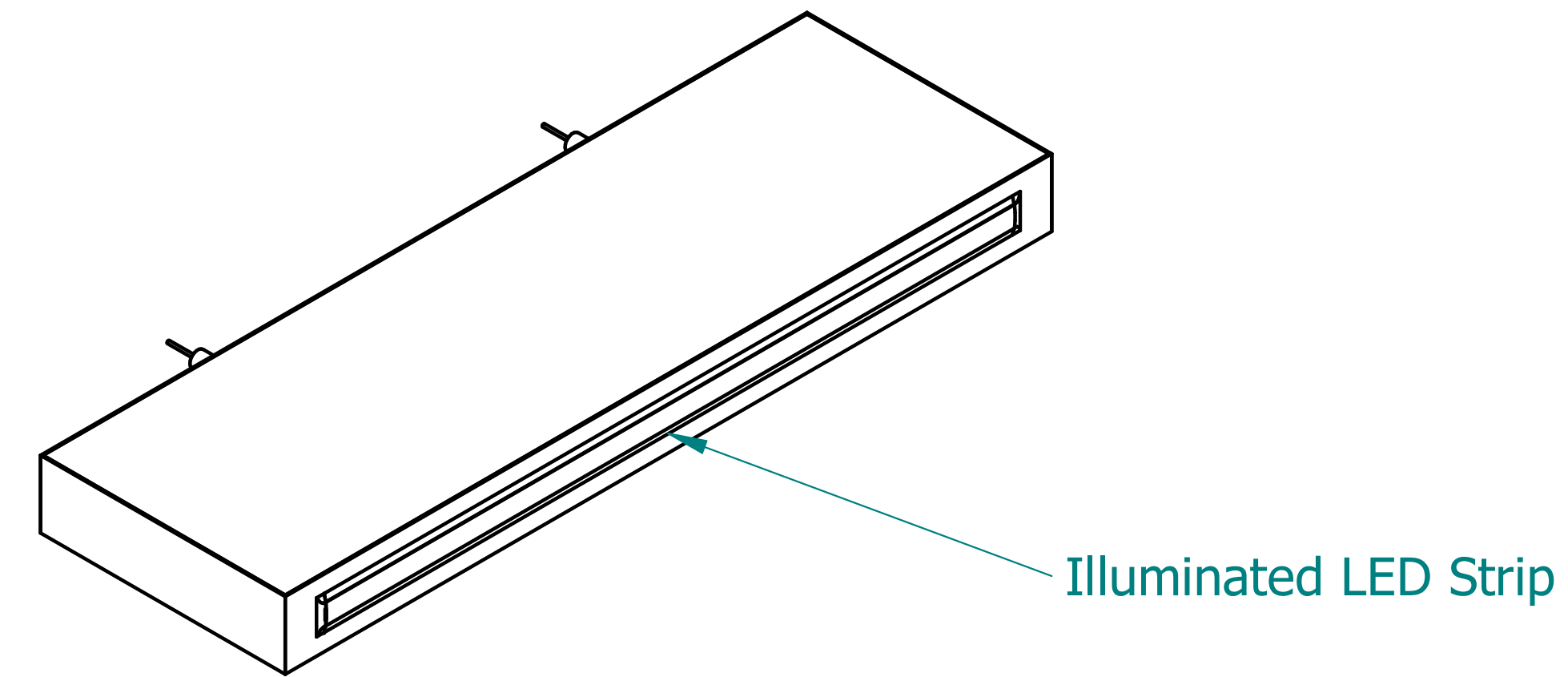


REVISION HISTORY			
REV.	DESCRIPTION	DATE	APPROVED



	NAME	DATE		
DRAWN	CBS	12/05/23		
ENG APPR	CBS	12/05/23		
<p>UNLESS OTHERWISE SPECIFIED DIMENSIONS ARE IN 'INCHES'</p> <p>ANGLES $\pm 0.8^\circ$; 2 PL ± 0.040 ; 3 PL ± 0.020</p>			TITLE	
			Illuminated Laminate Beam	
			SUBTITLE	
			24"x8"x2"	
			PART NO:	IXBeam-006-XX
SIZE: 34"x22"	SCALE: 0.33	SHEET 1 OF 1		
FILE NAME: Illuminated Laminated Beam (24.8.2).dft				