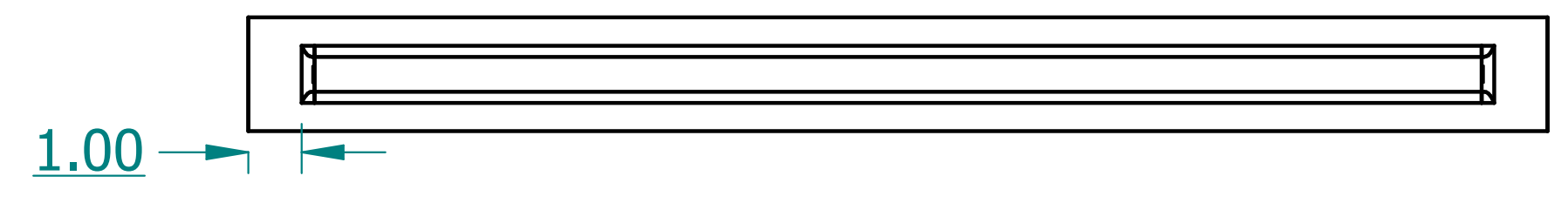
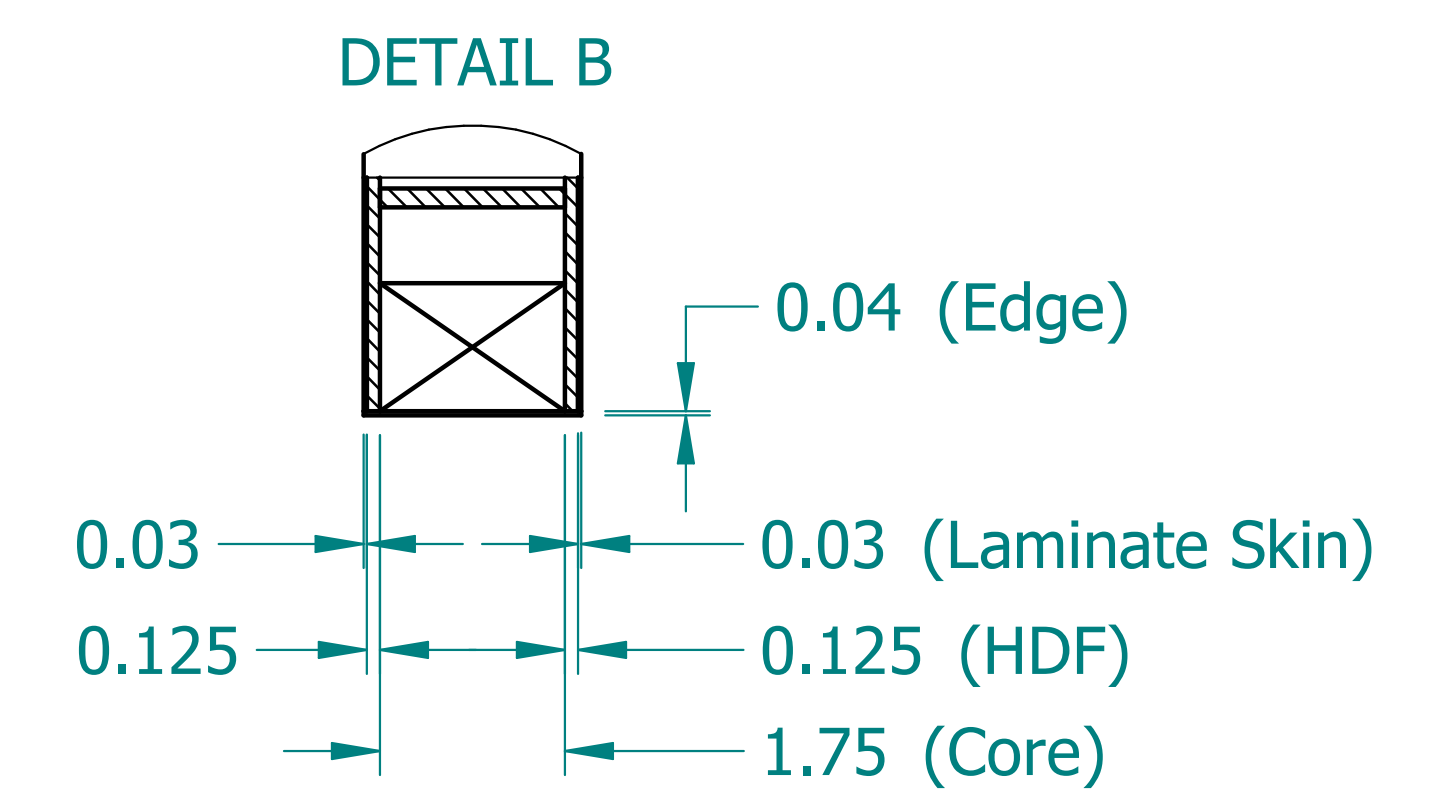
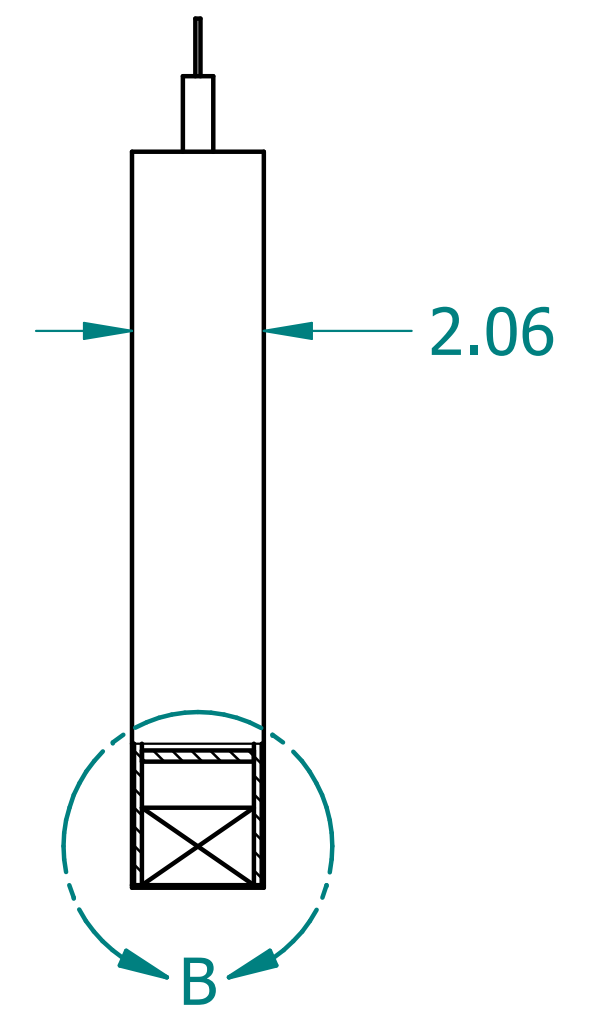
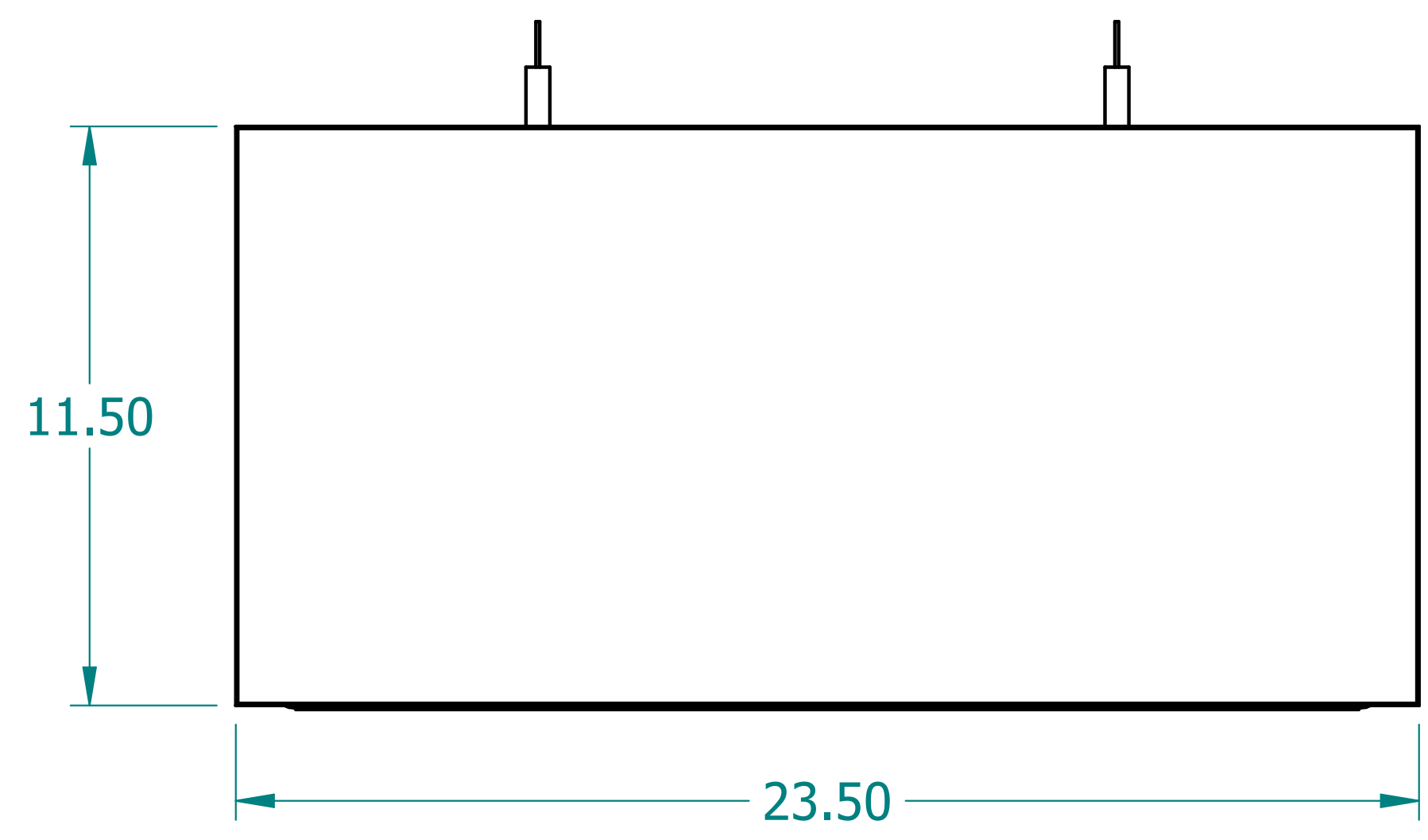
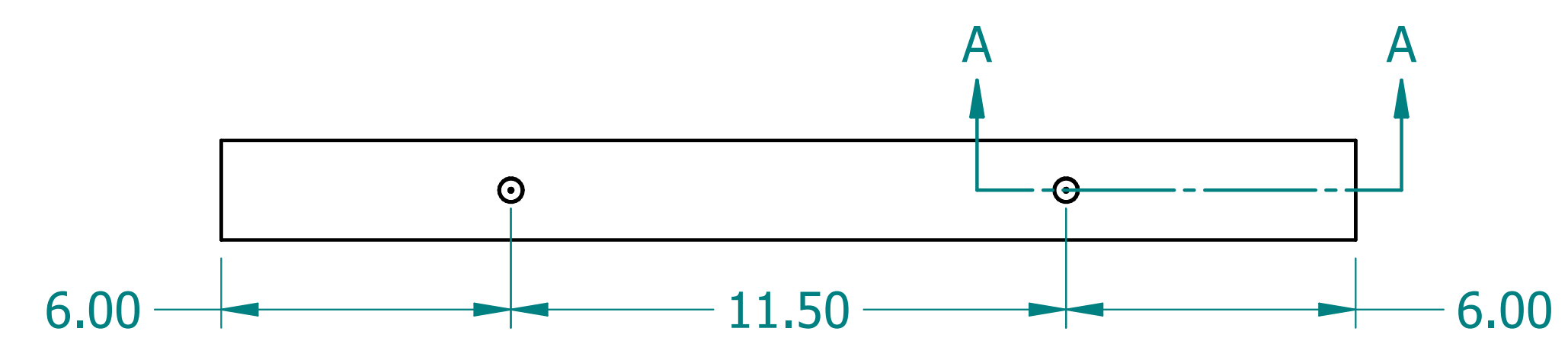
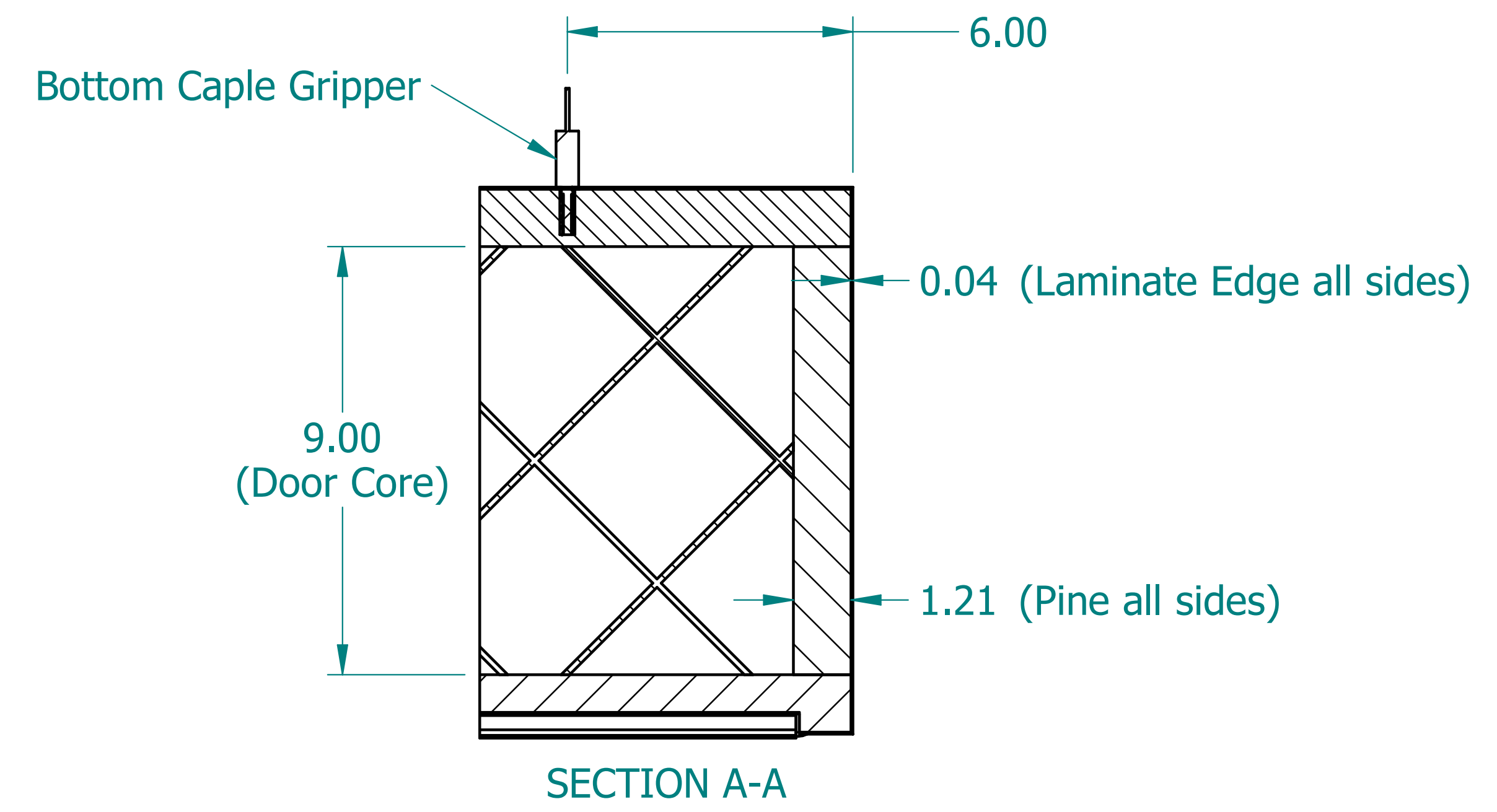
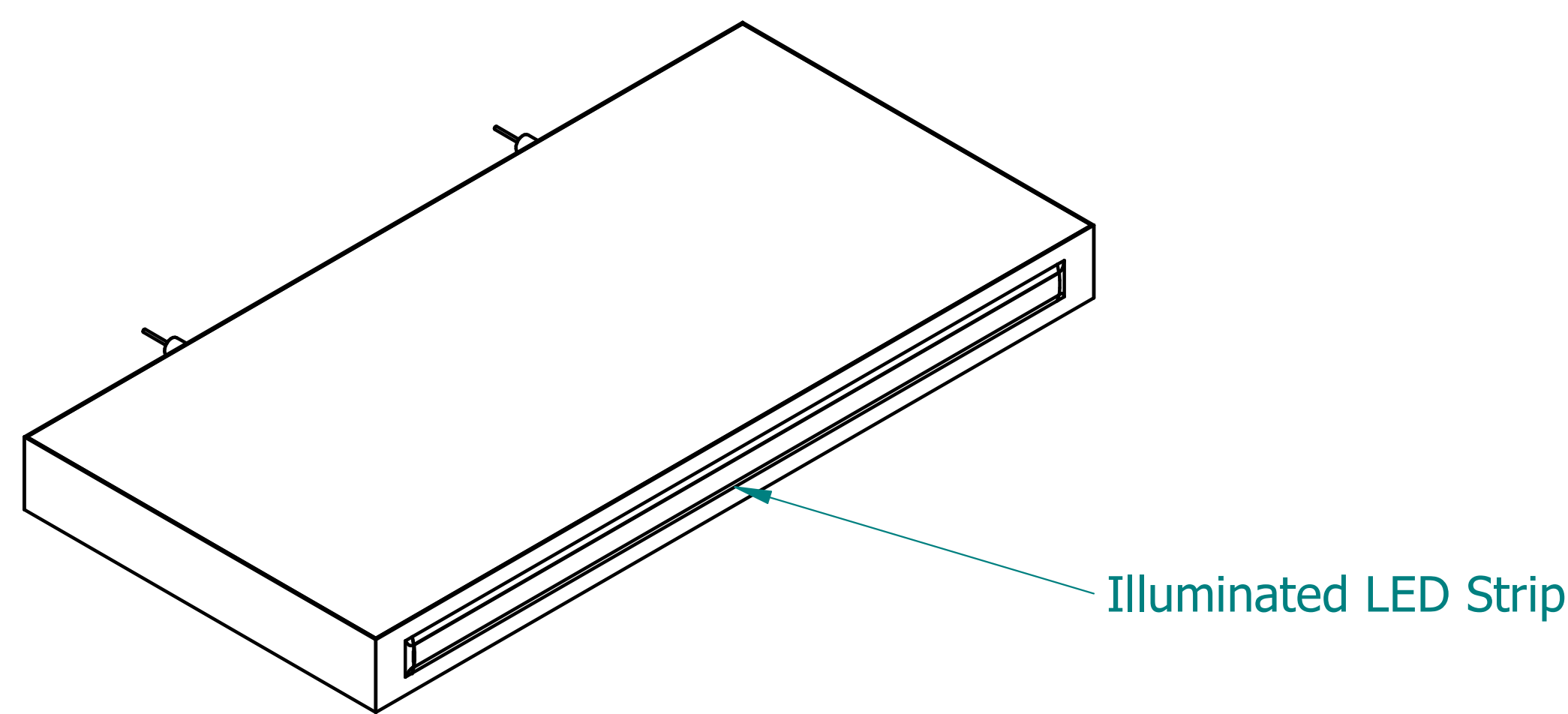


REVISION HISTORY			
REV.	DESCRIPTION	DATE	APPROVED



NAME	DATE	
DRAWN CBS	12/05/23	
ENG APPR CBS	12/05/23	
<p>UNLESS OTHERWISE SPECIFIED DIMENSIONS ARE IN 'INCHES'</p> <p>ANGLES $\pm 0.8^\circ$; 2 PL ± 0.040 ; 3 PL ± 0.020</p>		<p>TITLE Illuminated Laminate Beam</p> <p>SUBTITLE 24"x12"x2"</p> <p>PART NO: IXBeam-008-XX REV. 1.0</p> <p>SIZE: 34"x22" SCALE: 0.33 SHEET 1 OF 1</p> <p>FILE NAME: Illuminated Laminated Beam (24.12.2).dft</p>