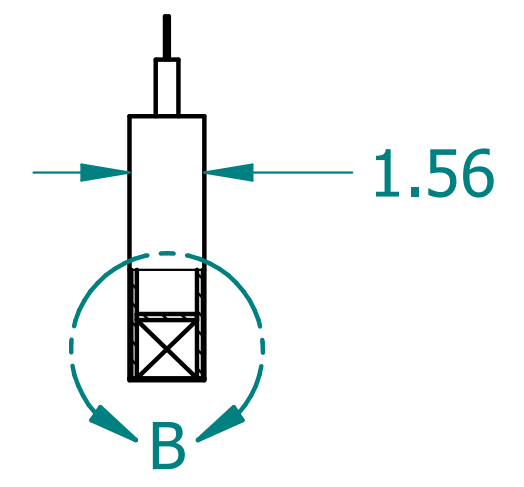
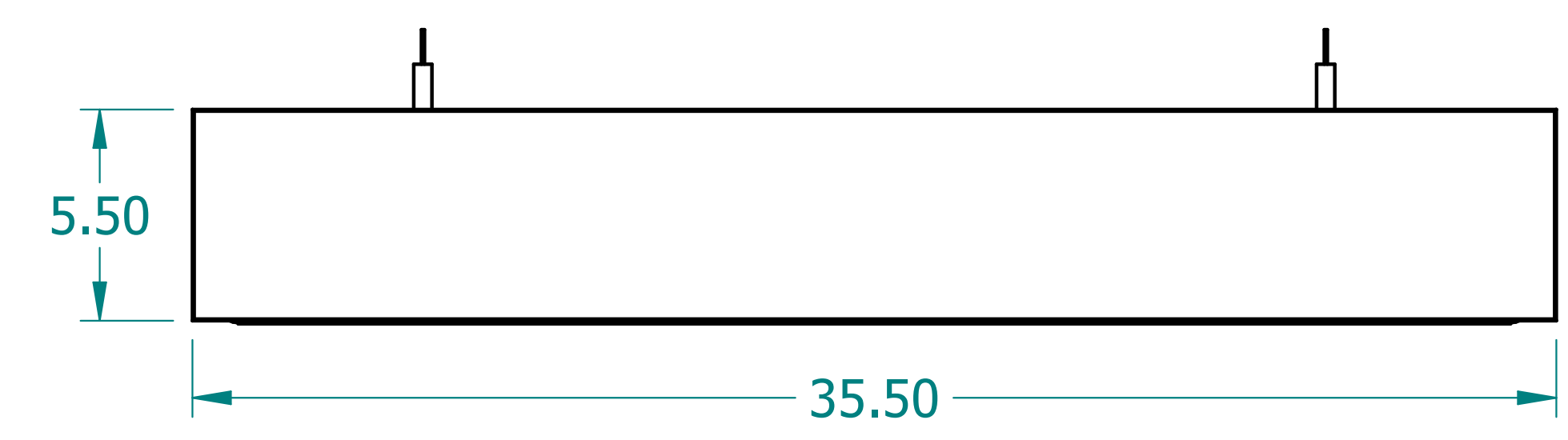
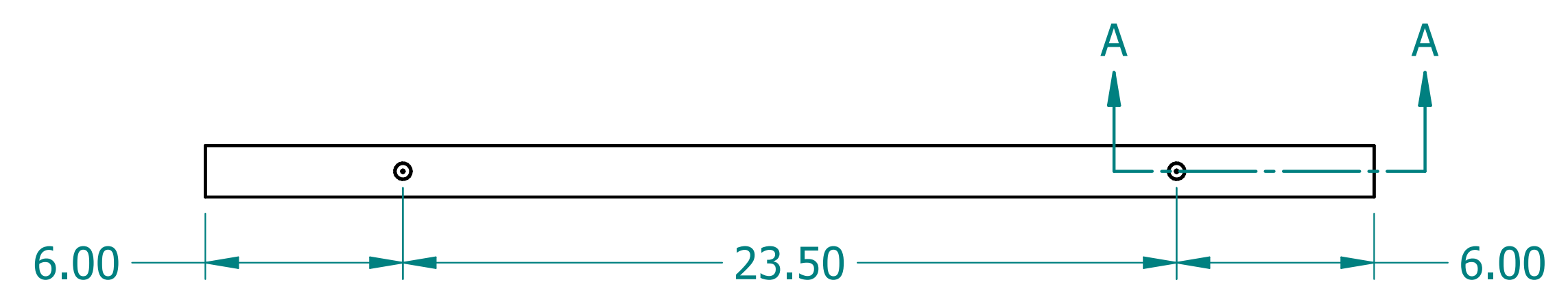
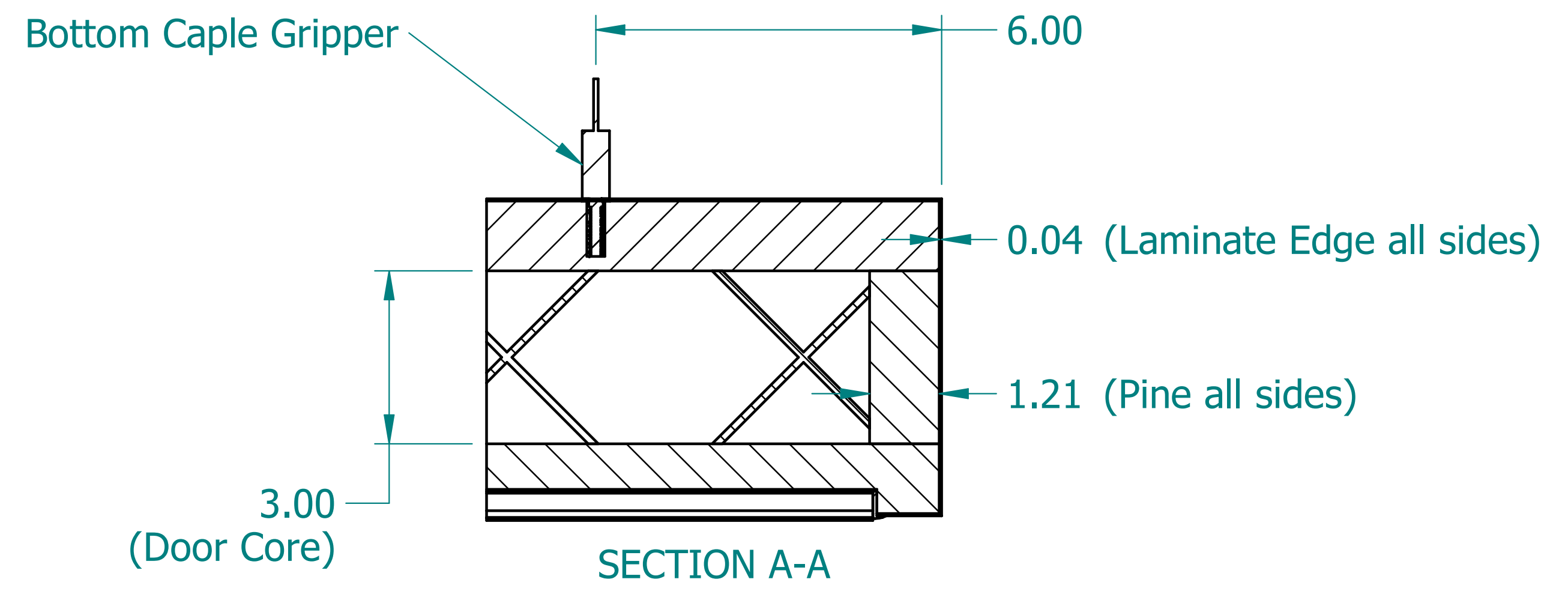
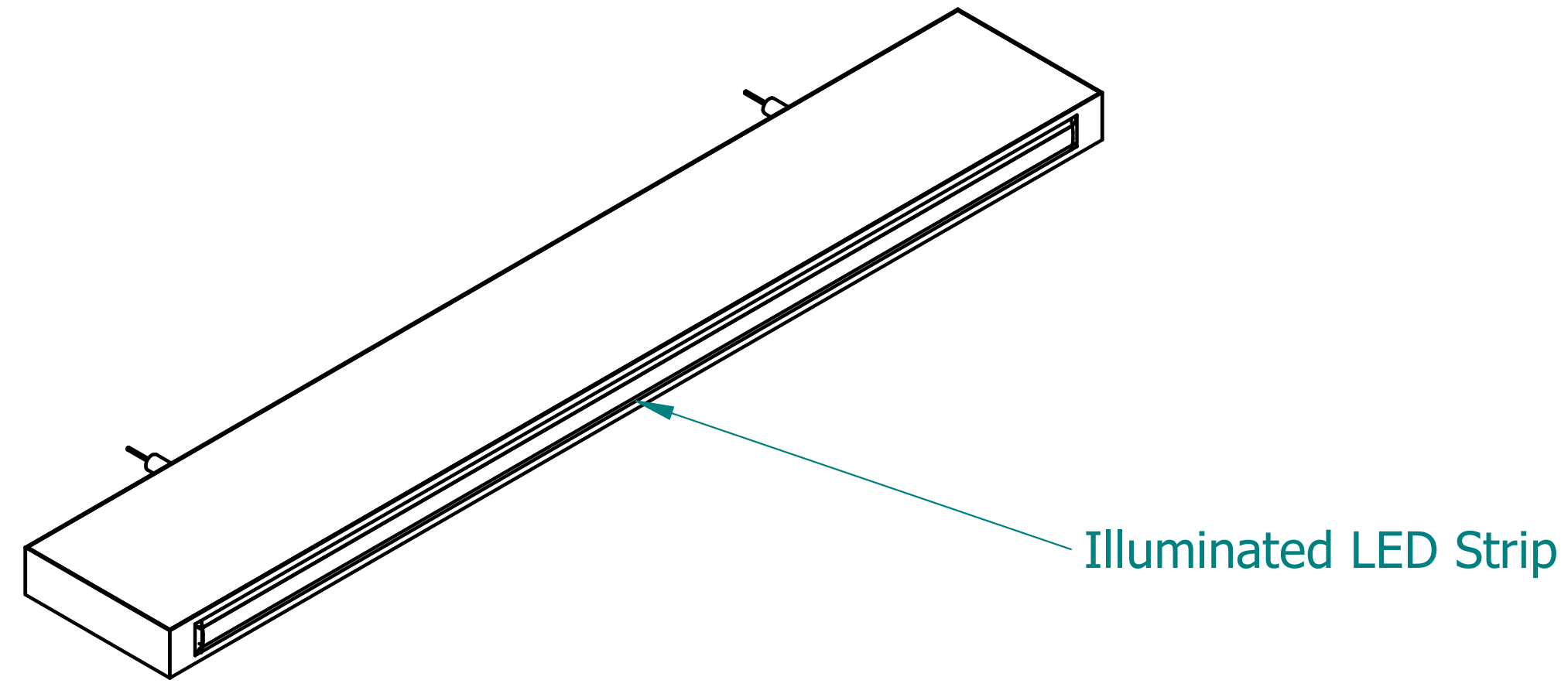
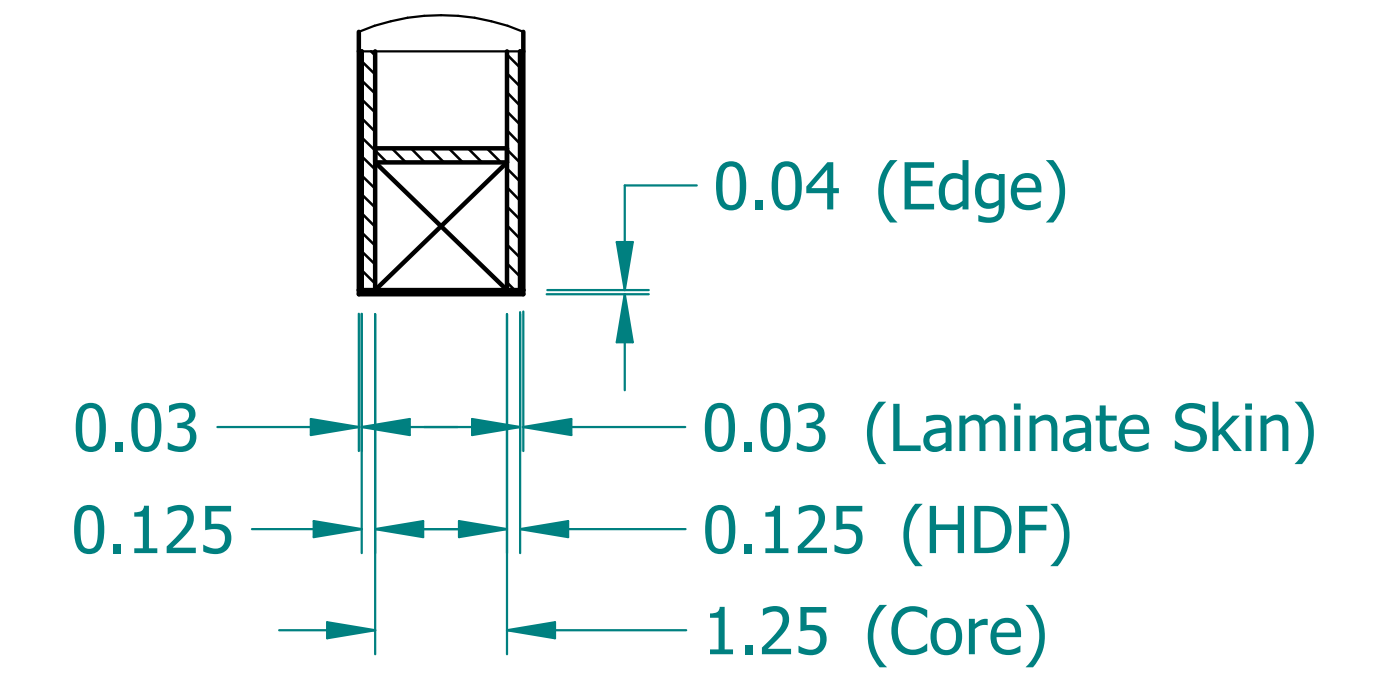


REVISION HISTORY			
REV.	DESCRIPTION	DATE	APPROVED

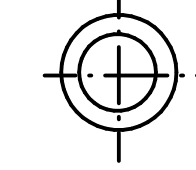


DETAIL B



	NAME	DATE
DRAWN	CBS	12/13/23
ENG APPR	CBS	12/13/23



  
 UNLESS OTHERWISE SPECIFIED  
 DIMENSIONS ARE IN  
**'INCHES'**  
 ANGLES  $\pm 0.8^\circ$  ; 2 PL  $\pm 0.040$  ;  
 3 PL  $\pm 0.020$

TITLE <b>Illuminated Laminate Beam</b>	
SUBTITLE 36"x6"x1.5"	
PART NO: IXBeam-013-XX	REV. 1.0
SIZE: 34"x22"	SCALE: 0.25
SHEET 1 OF 1	
FILE NAME: Illuminated Laminated Beam (36.6.1.5).dft	