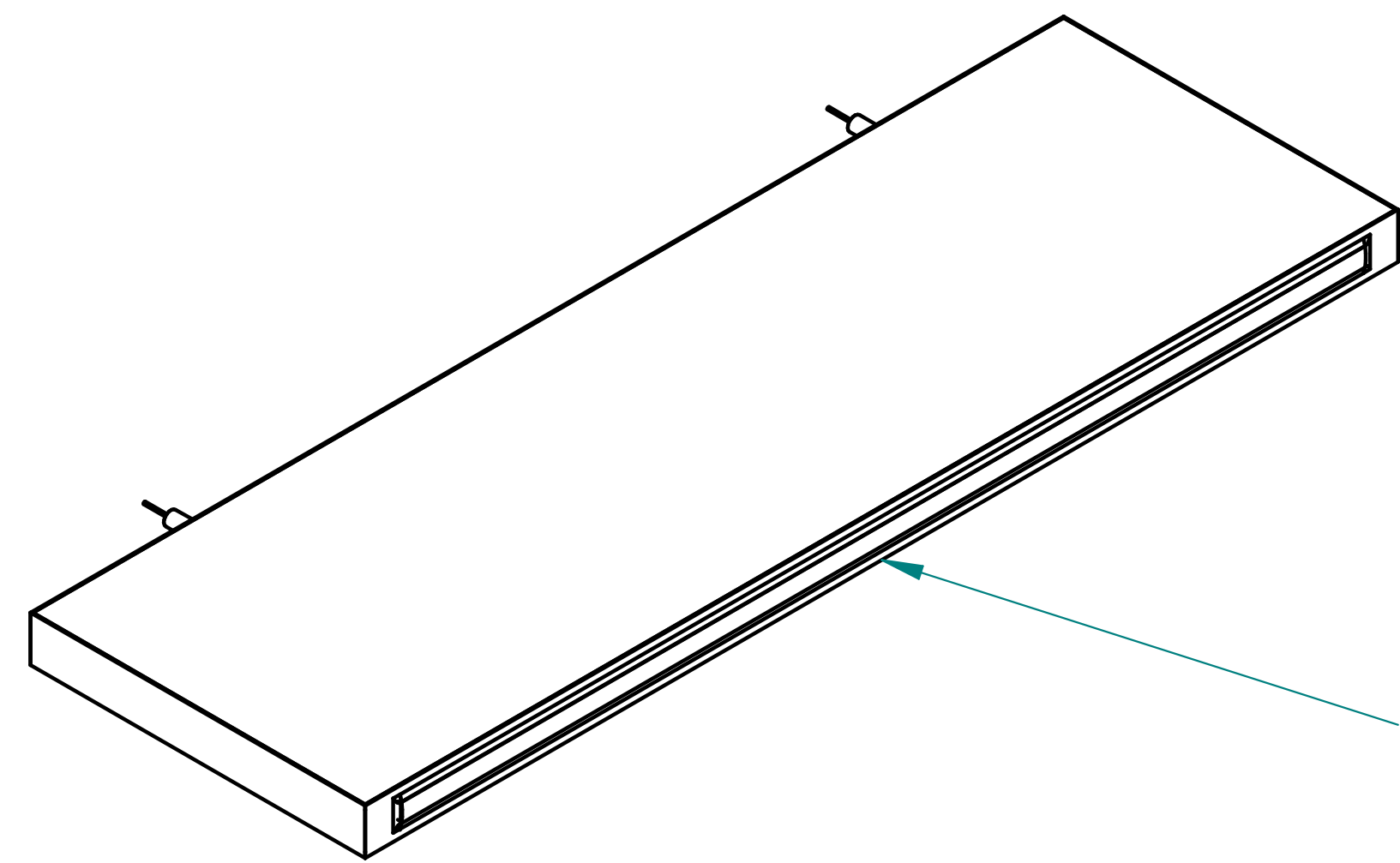
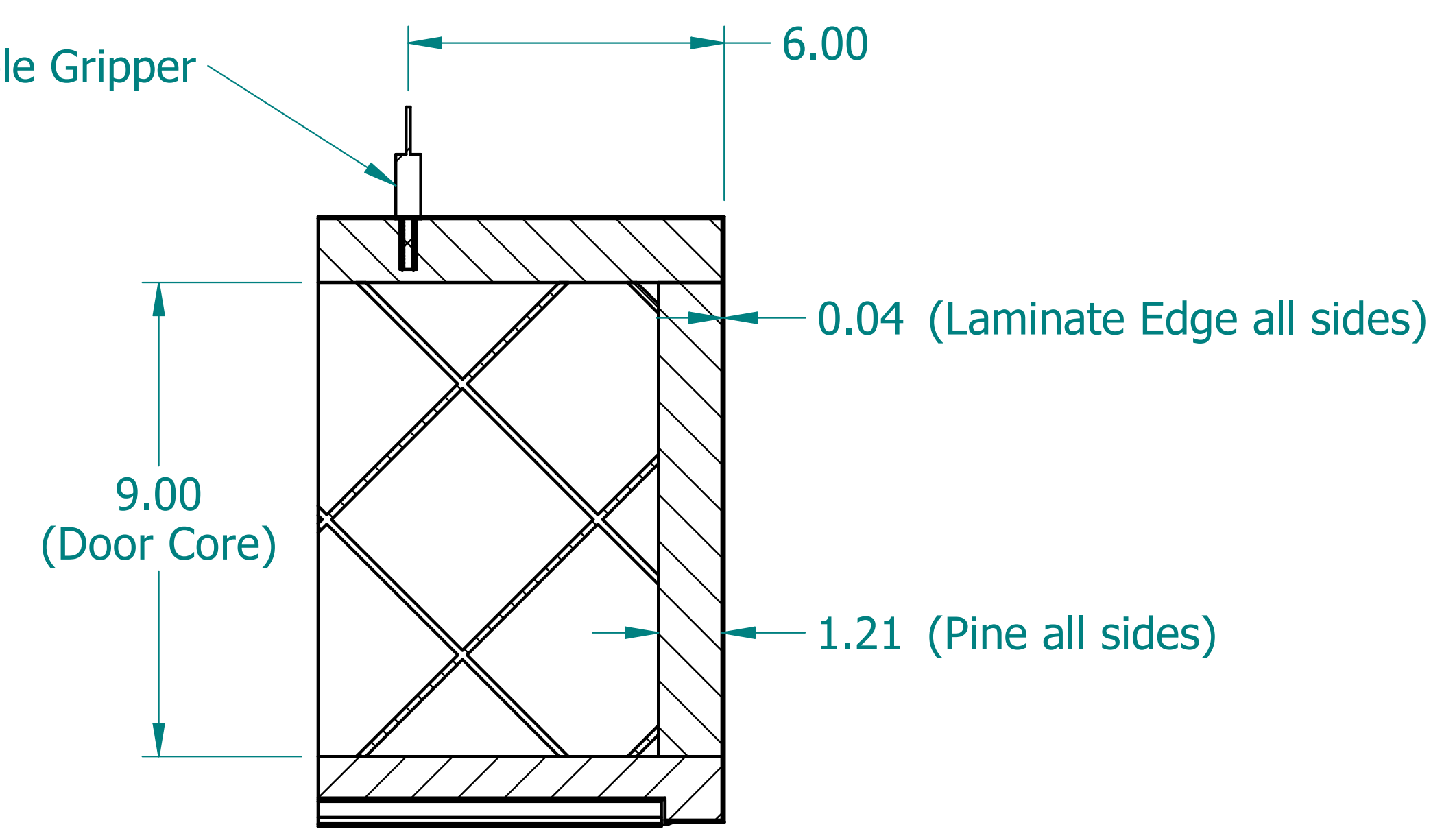


REVISION HISTORY			
REV.	DESCRIPTION	DATE	APPROVED

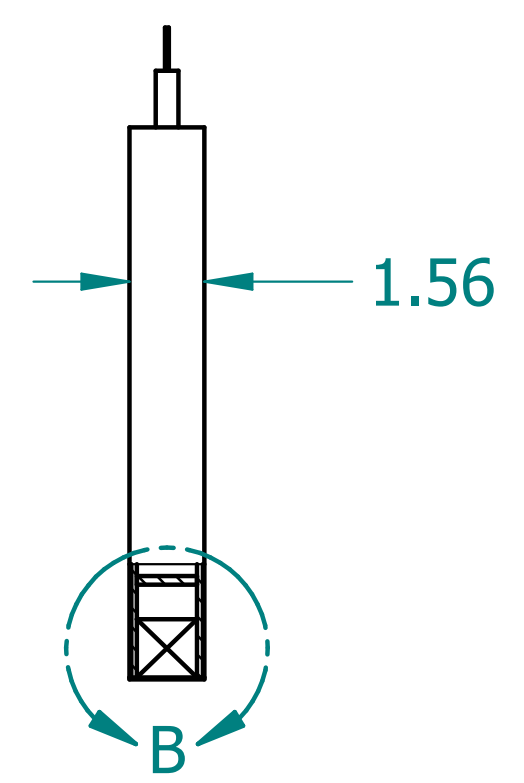
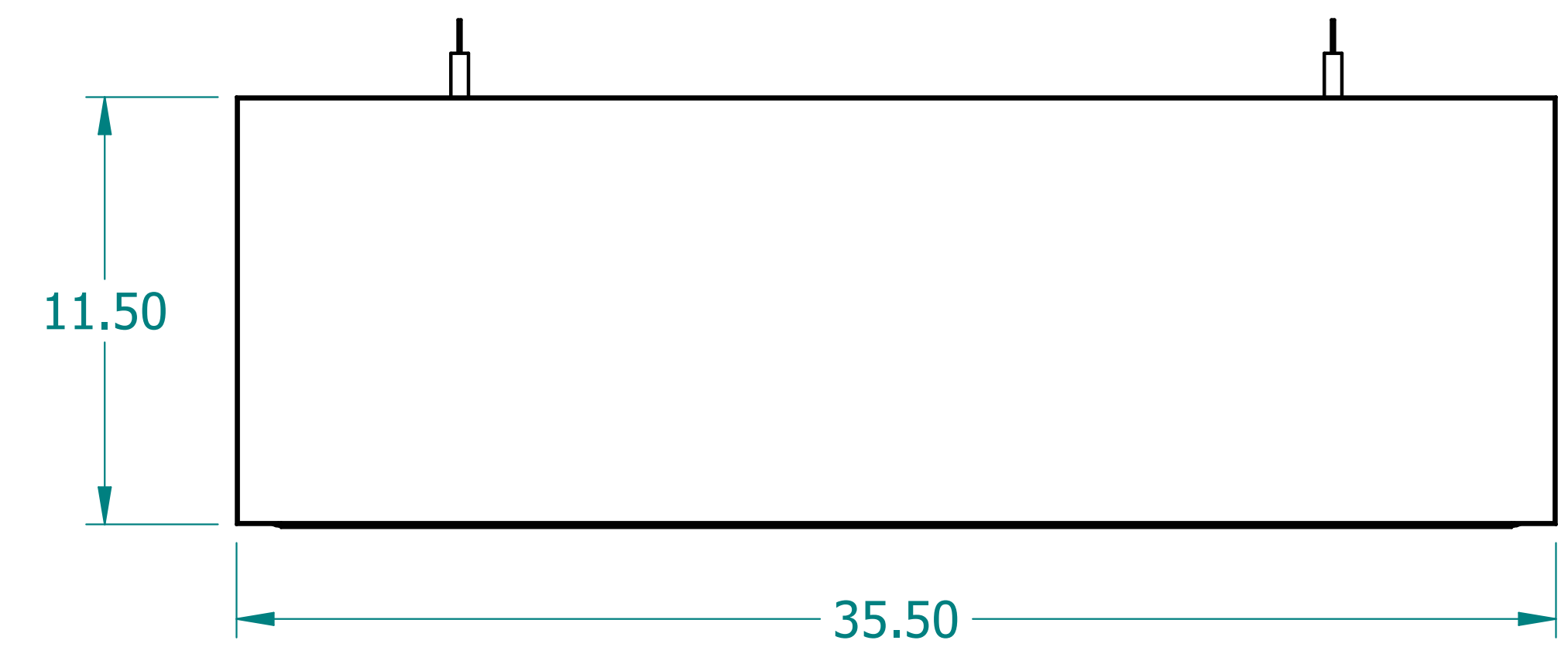
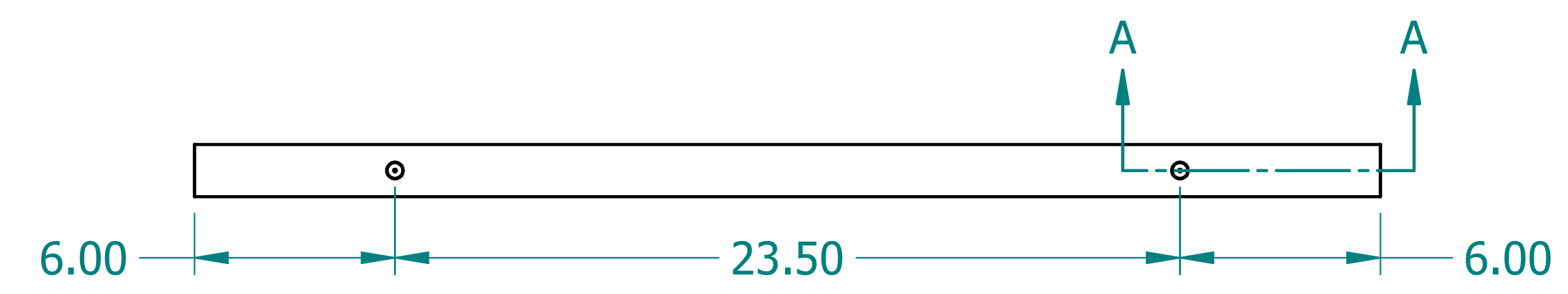


Illuminated LED Strip

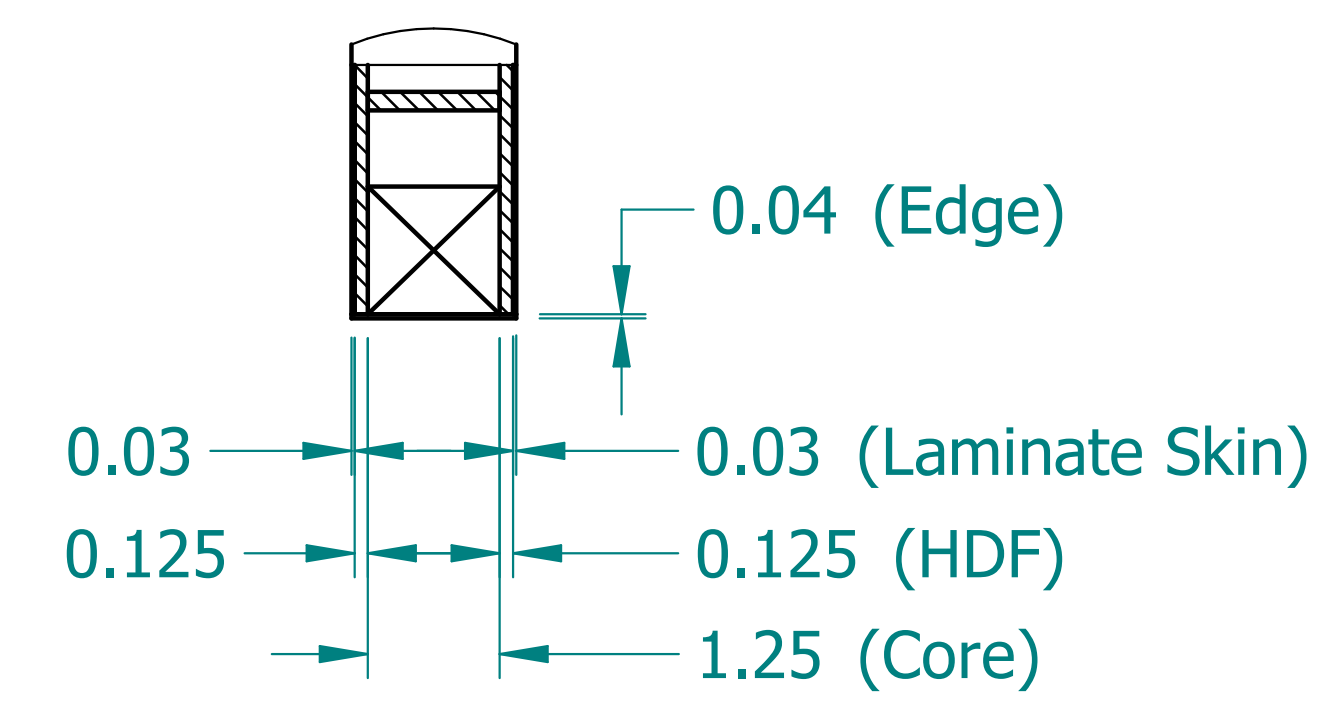
Bottom Caple Gripper



SECTION A-A



DETAIL B



	NAME	DATE
DRAWN	CBS	12/13/23
ENG APPR	CBS	12/13/23



UNLESS OTHERWISE SPECIFIED DIMENSIONS ARE IN 'INCHES'
 ANGLES $\pm 0.8^\circ$; 2 PL ± 0.040 ;
 3 PL ± 0.020

TITLE Illuminated Laminate Beam		
SUBTITLE 36"x12"x1.5"		
PART NO:	IXBeam-016-XX	REV. 1.0
SIZE: 34"x22"	SCALE: 0.25	SHEET 1 OF 1
FILE NAME: Illuminated Laminated Beam (36.12.1.5).dft		