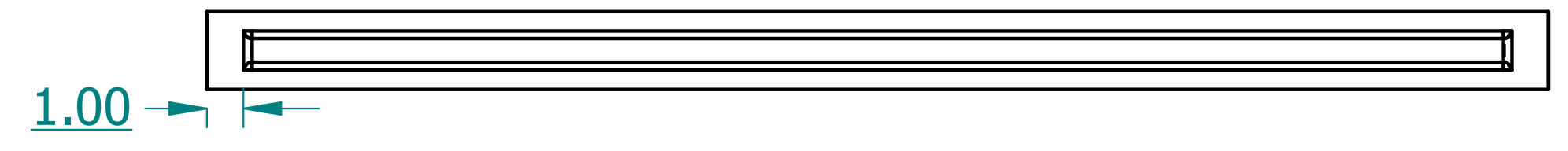
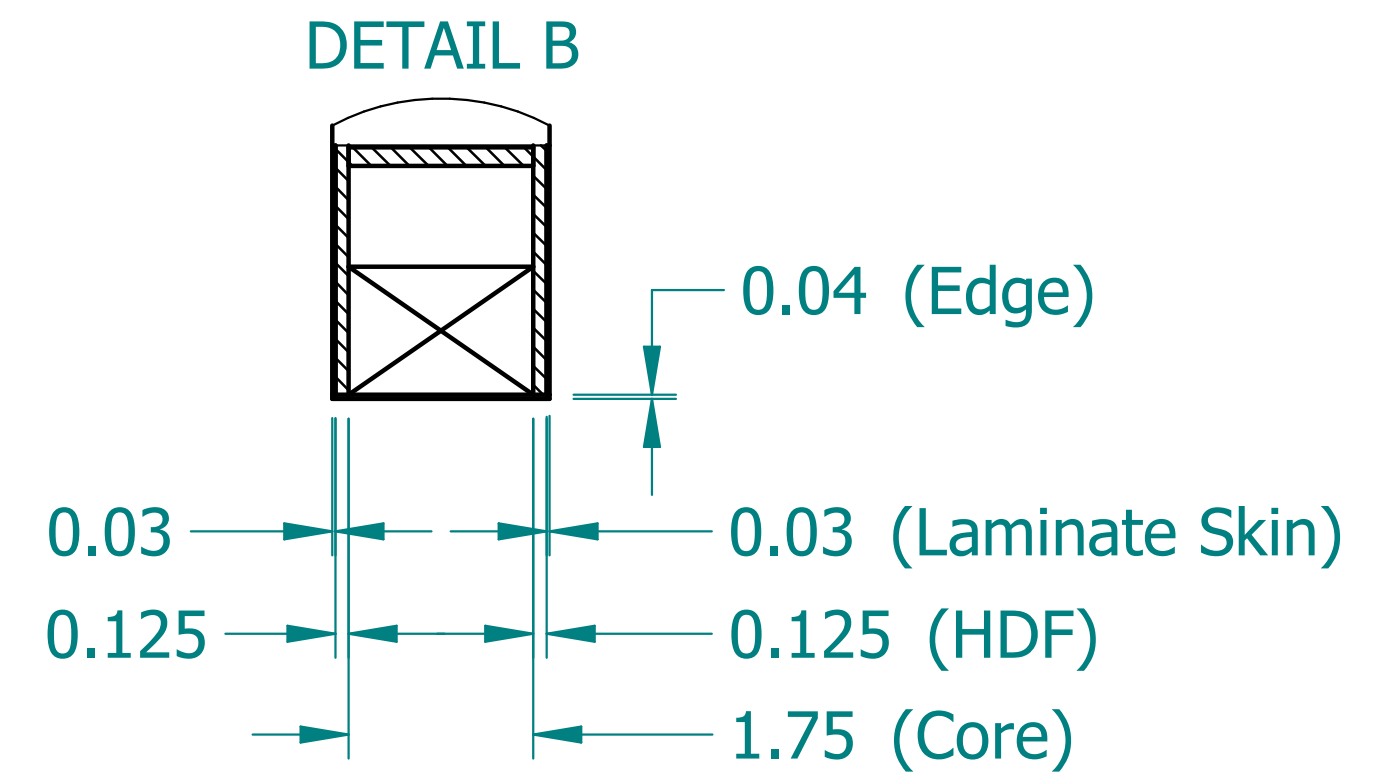
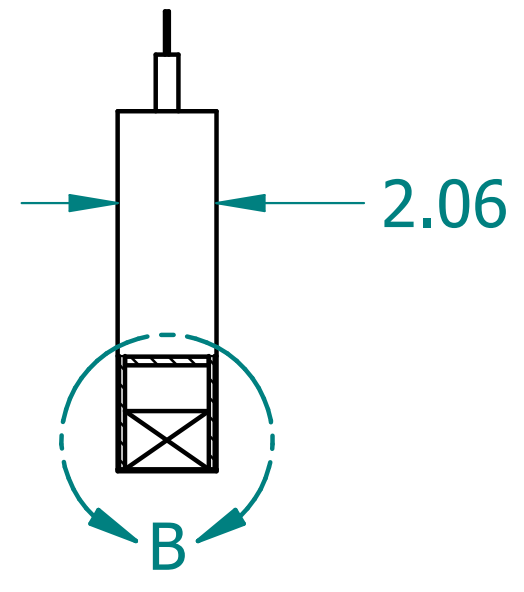
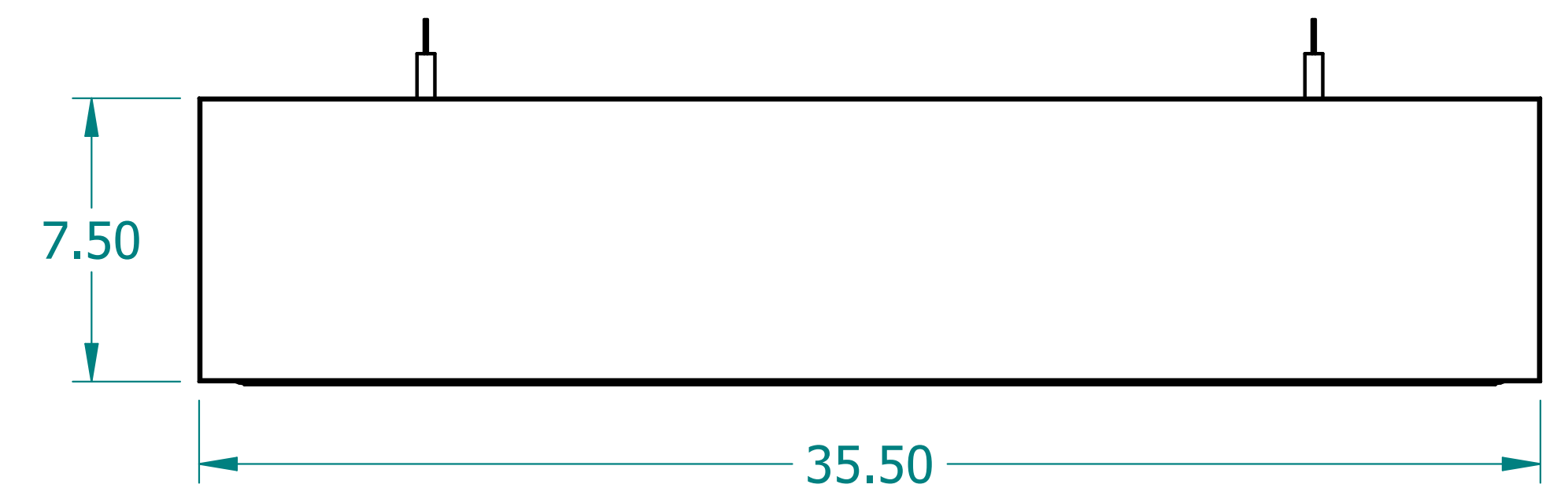
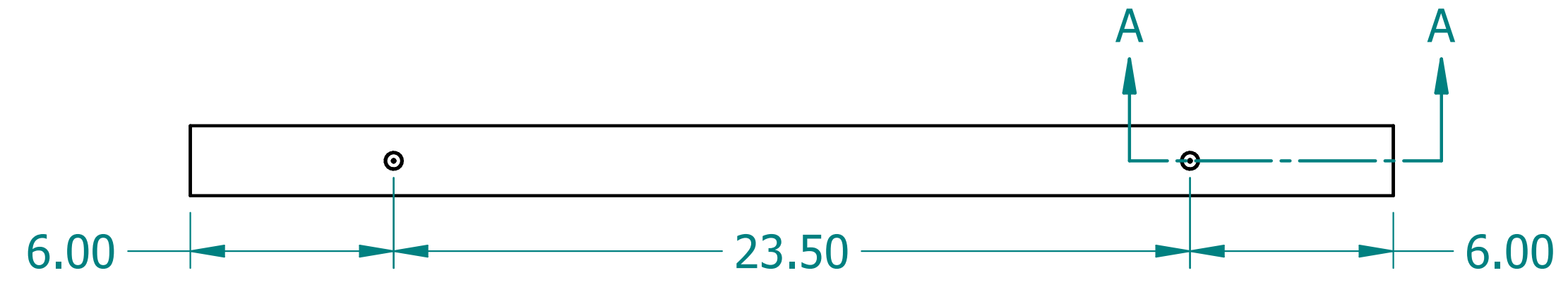
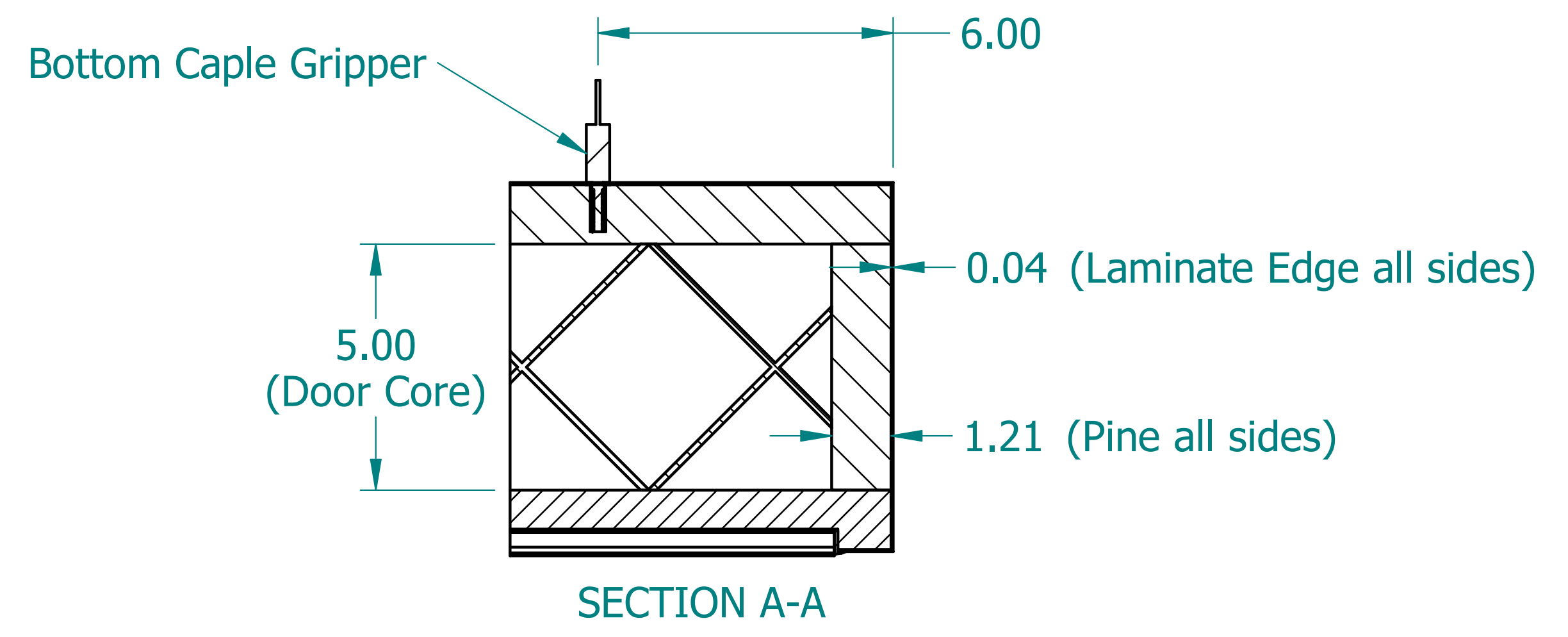
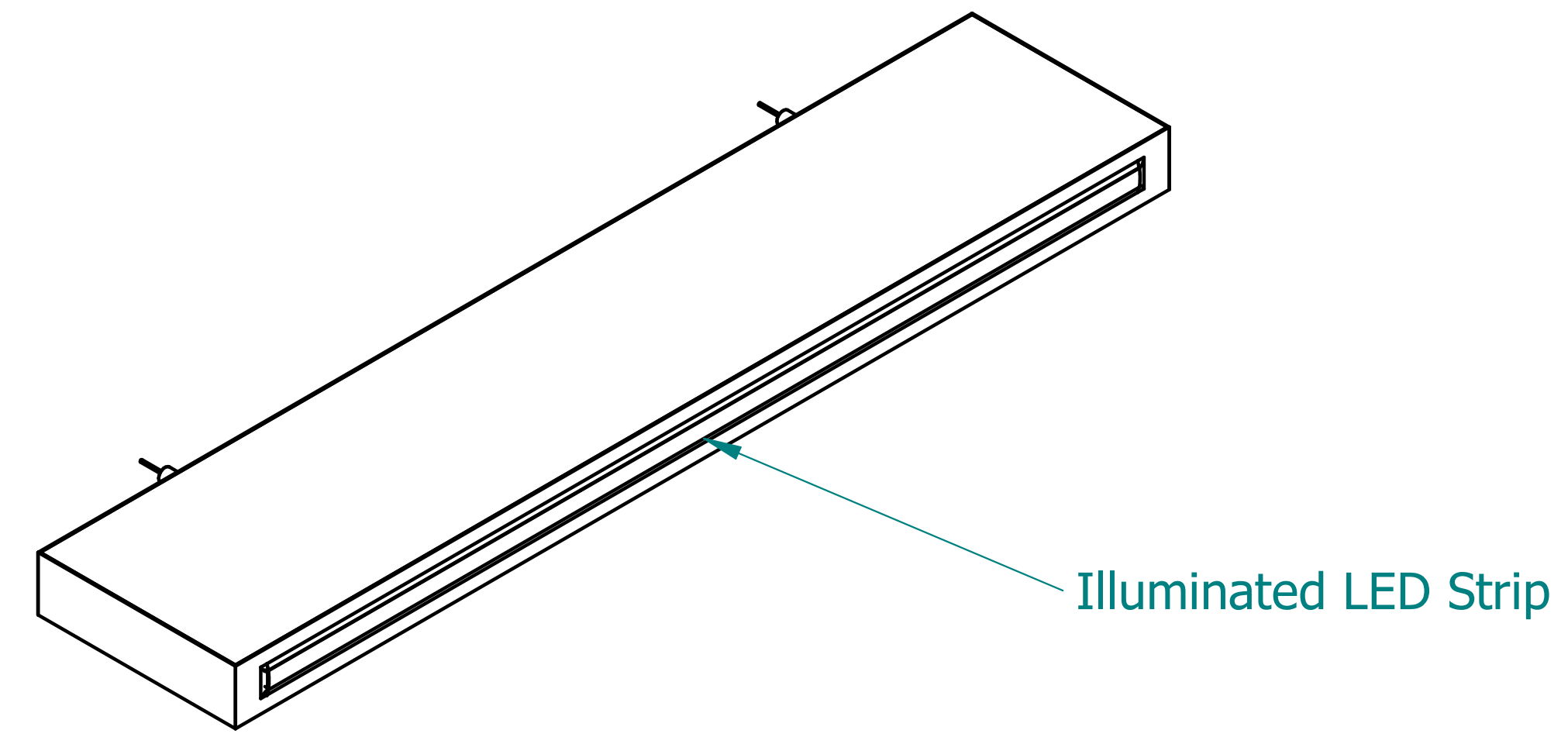
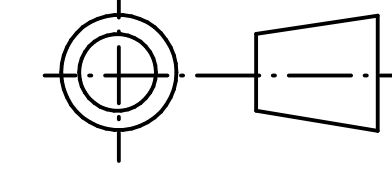


REVISION HISTORY			
REV.	DESCRIPTION	DATE	APPROVED



	NAME	DATE
DRAWN	CBS	12/05/23
ENG APPR	CBS	12/05/23



  
 UNLESS OTHERWISE SPECIFIED DIMENSIONS ARE IN 'INCHES'  
 ANGLES  $\pm 0.8^\circ$  ; 2 PL  $\pm 0.040$  ; 3 PL  $\pm 0.020$

TITLE <b>Illuminated Laminate Beam</b>		
SUBTITLE 36"x8"x2"		
PART NO: IXBeam-018-XX	REV. 1.0	
SIZE: 34"x22"	SCALE: 0.25	SHEET 1 OF 1
FILE NAME: Illuminated Laminated Beam (36.8.2).dft		