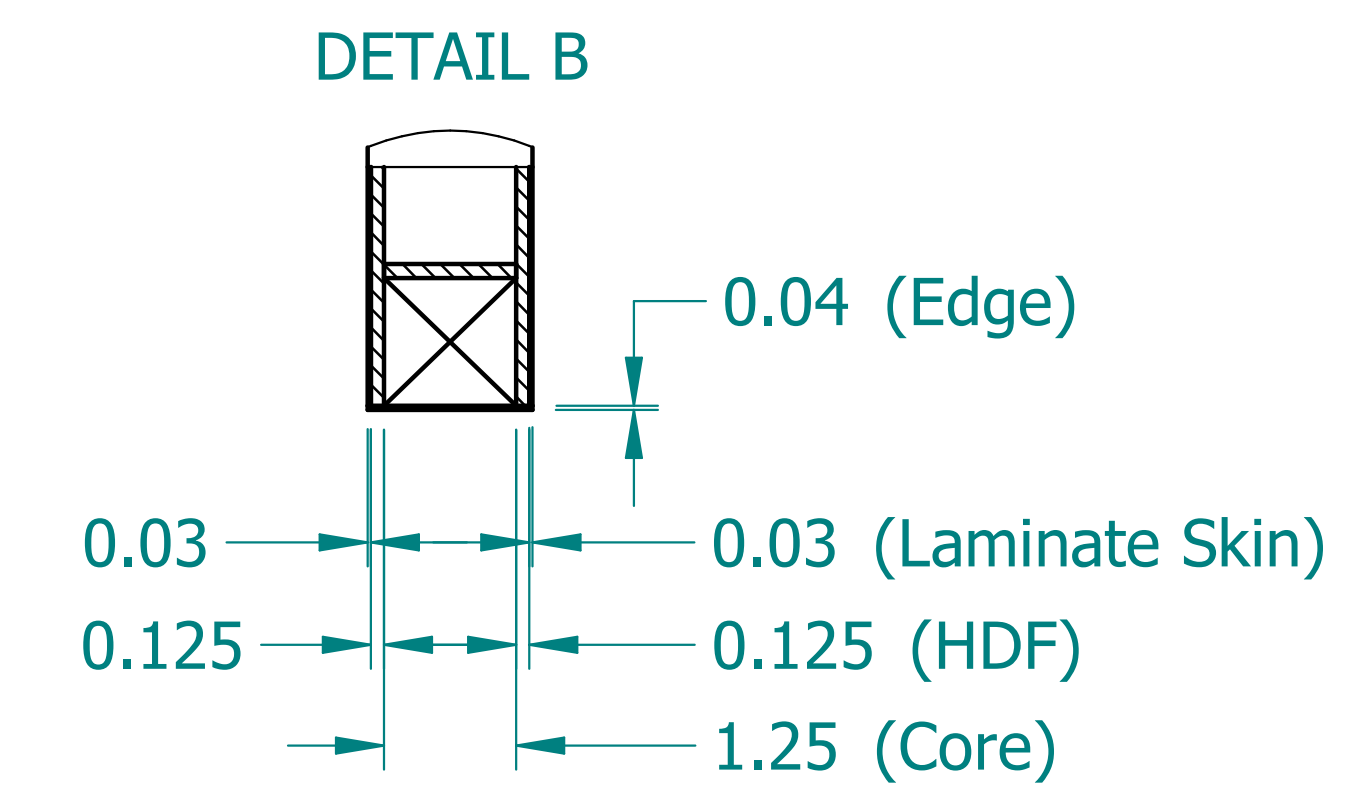
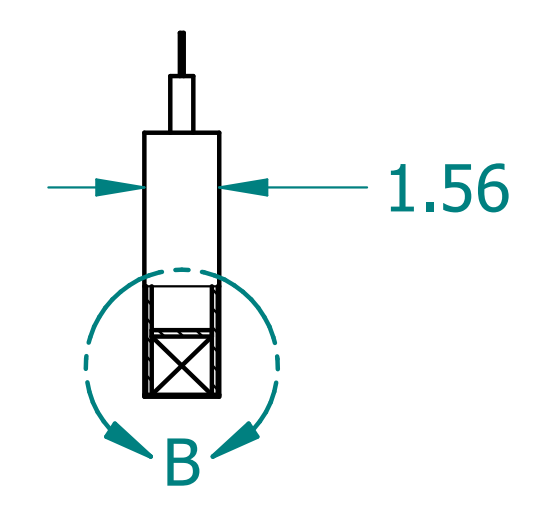
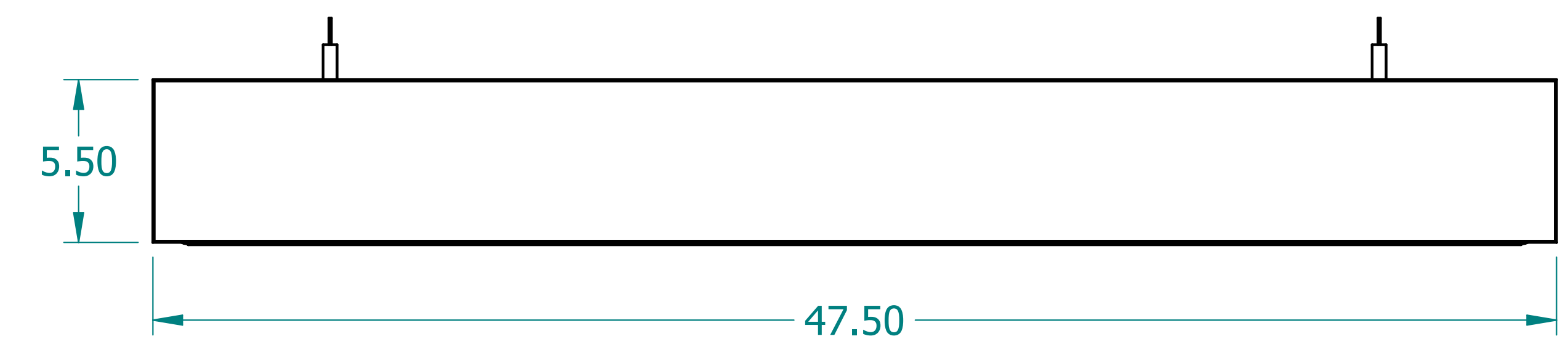
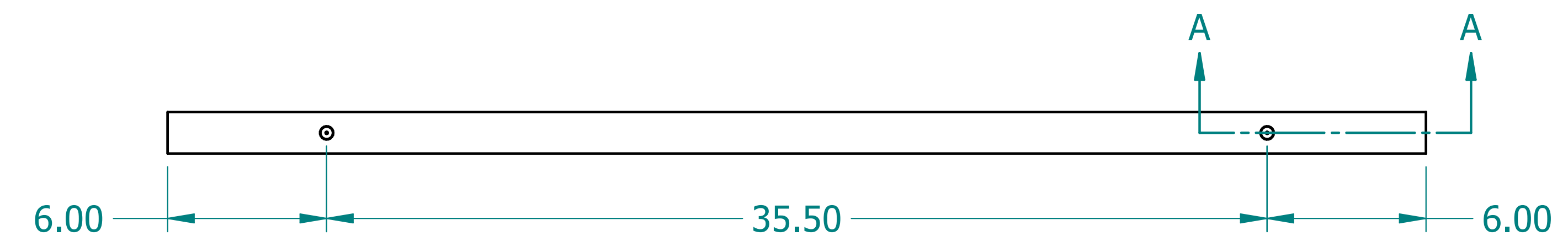
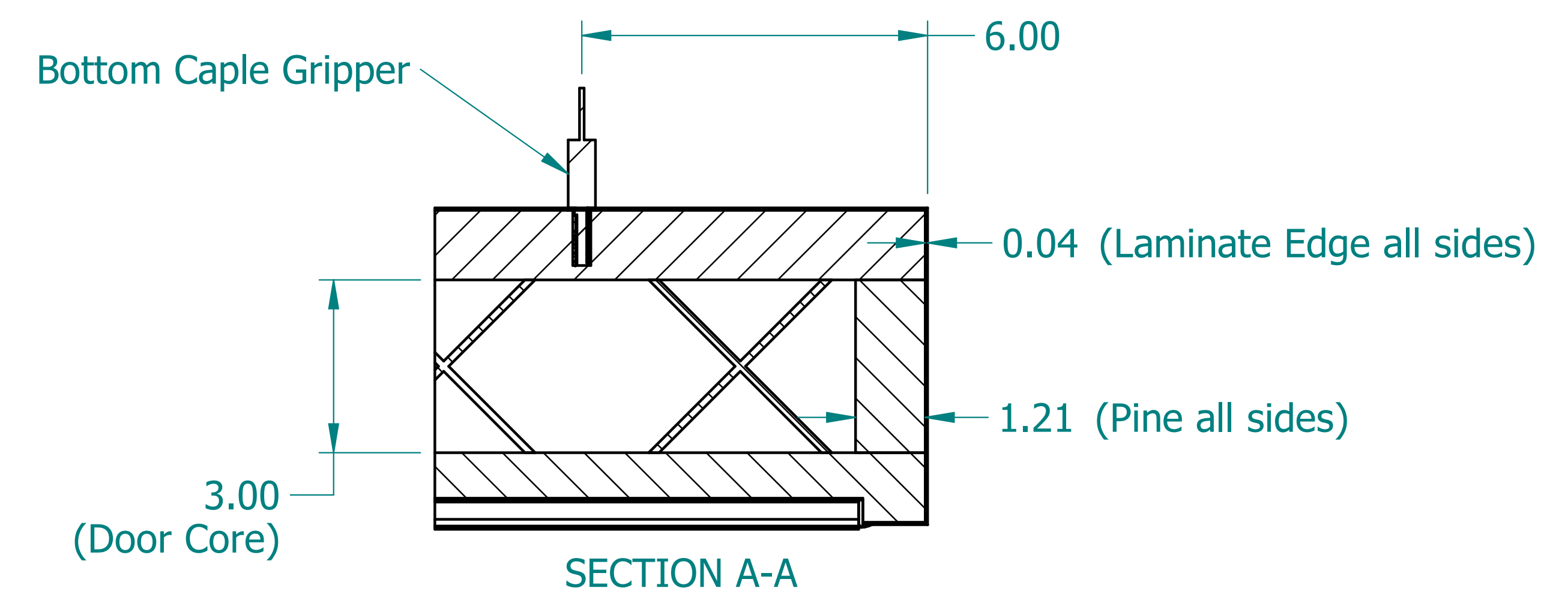
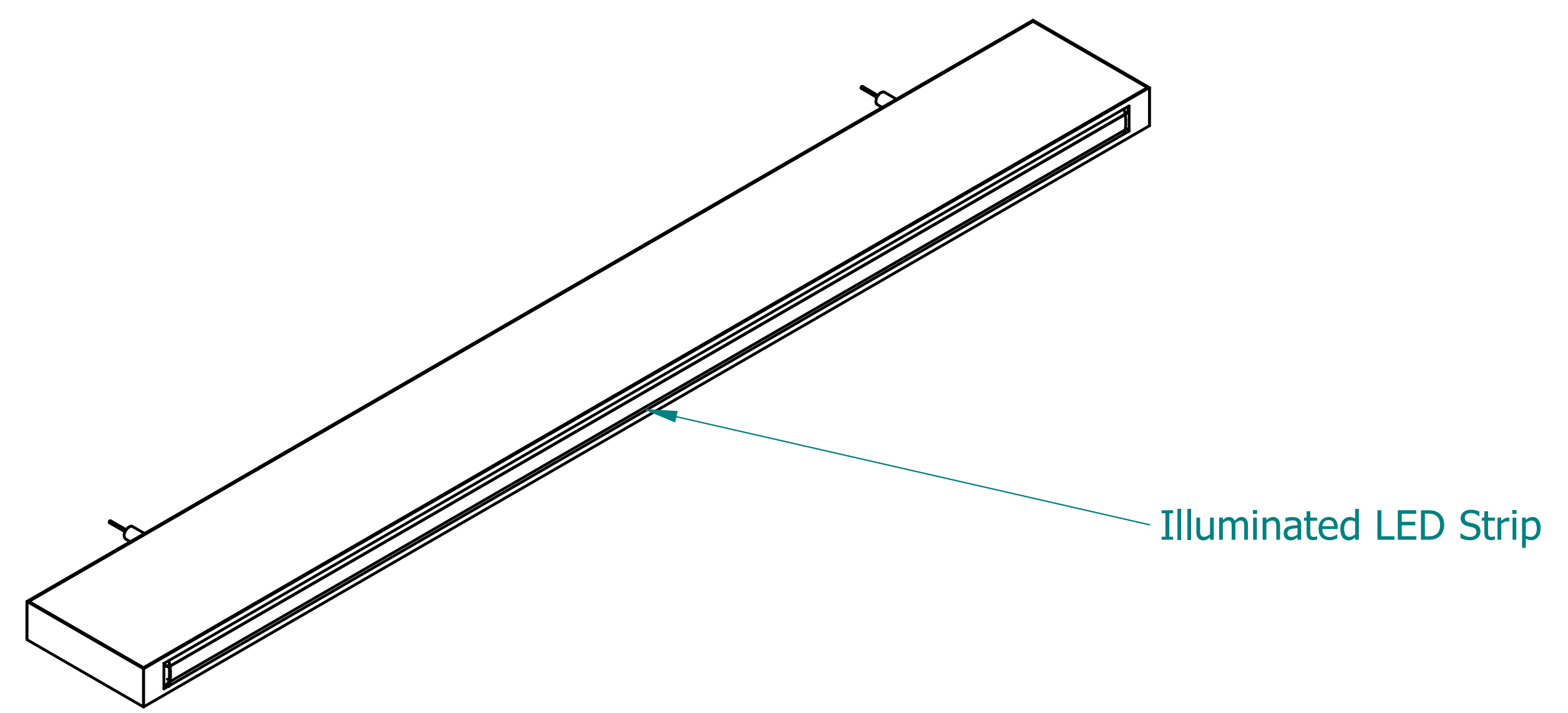


REVISION HISTORY			
REV.	DESCRIPTION	DATE	APPROVED



NAME	DATE	
DRAWN CBS	12/14/23	
ENG APPR CBS	12/14/23	
<p>UNLESS OTHERWISE SPECIFIED DIMENSIONS ARE IN 'INCHES'</p> <p>ANGLES <math>\pm 0.8^\circ</math> ; 2 PL <math>\pm 0.040</math> ; 3 PL <math>\pm 0.020</math></p>		<p>TITLE</p> <p><b>Illuminated Laminate Beam</b></p> <p>SUBTITLE</p> <p>48"x6"x1.5"</p> <p>PART NO: IXBeam-025-XX</p> <p>REV. 1.0</p> <p>SIZE: 34"x22" SCALE: 0.25 SHEET 1 OF 1</p> <p>FILE NAME: Illuminated Laminated Beam (48.6.1.5).dft</p>