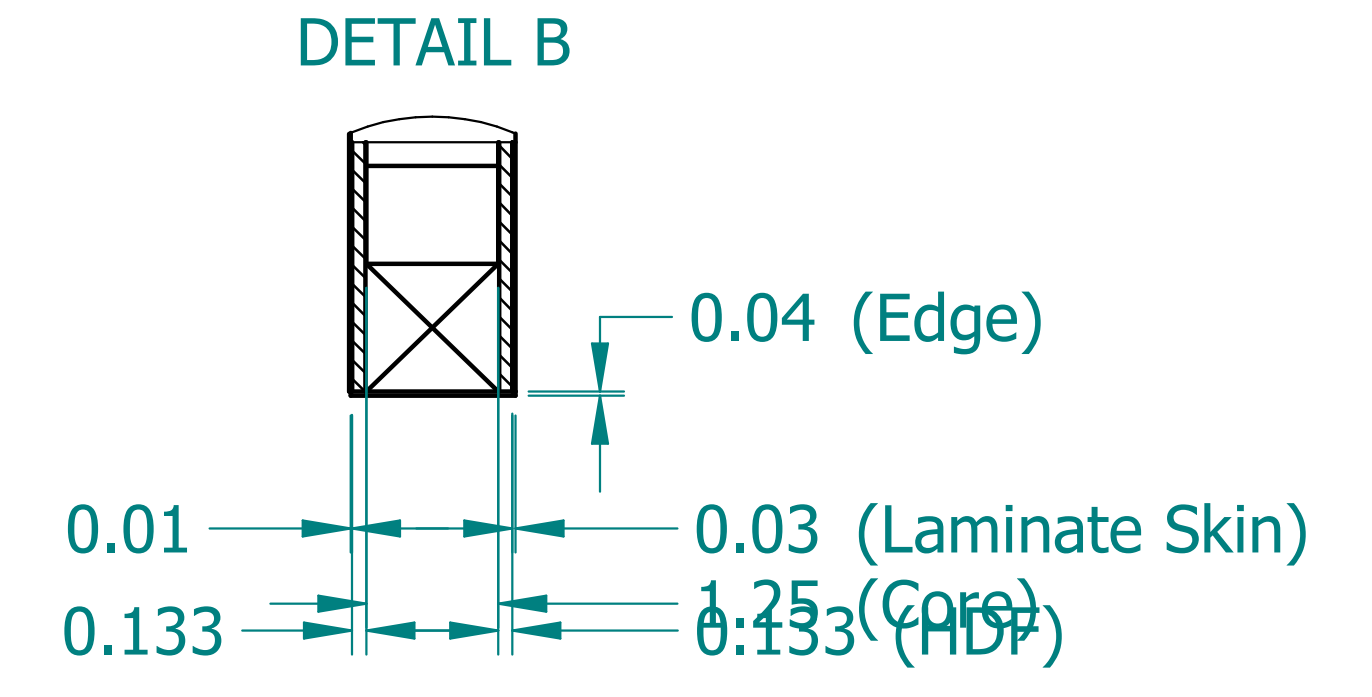
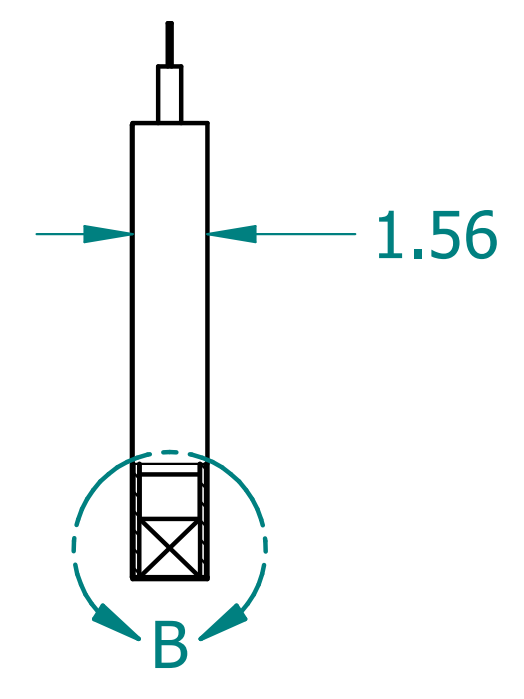
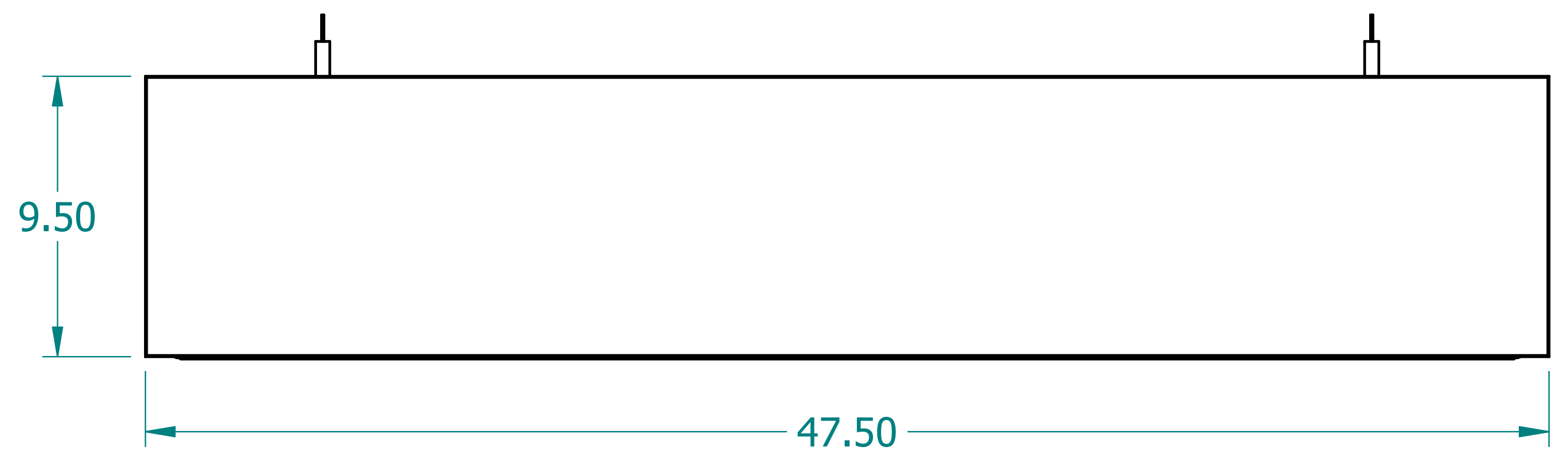
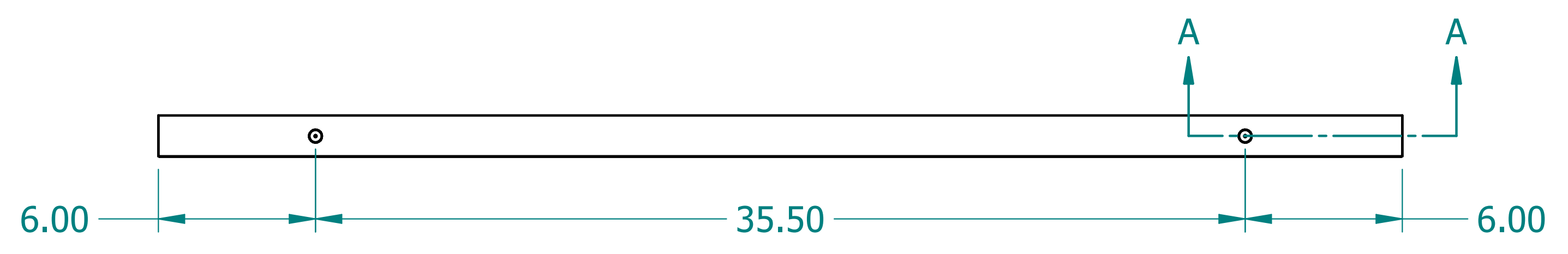
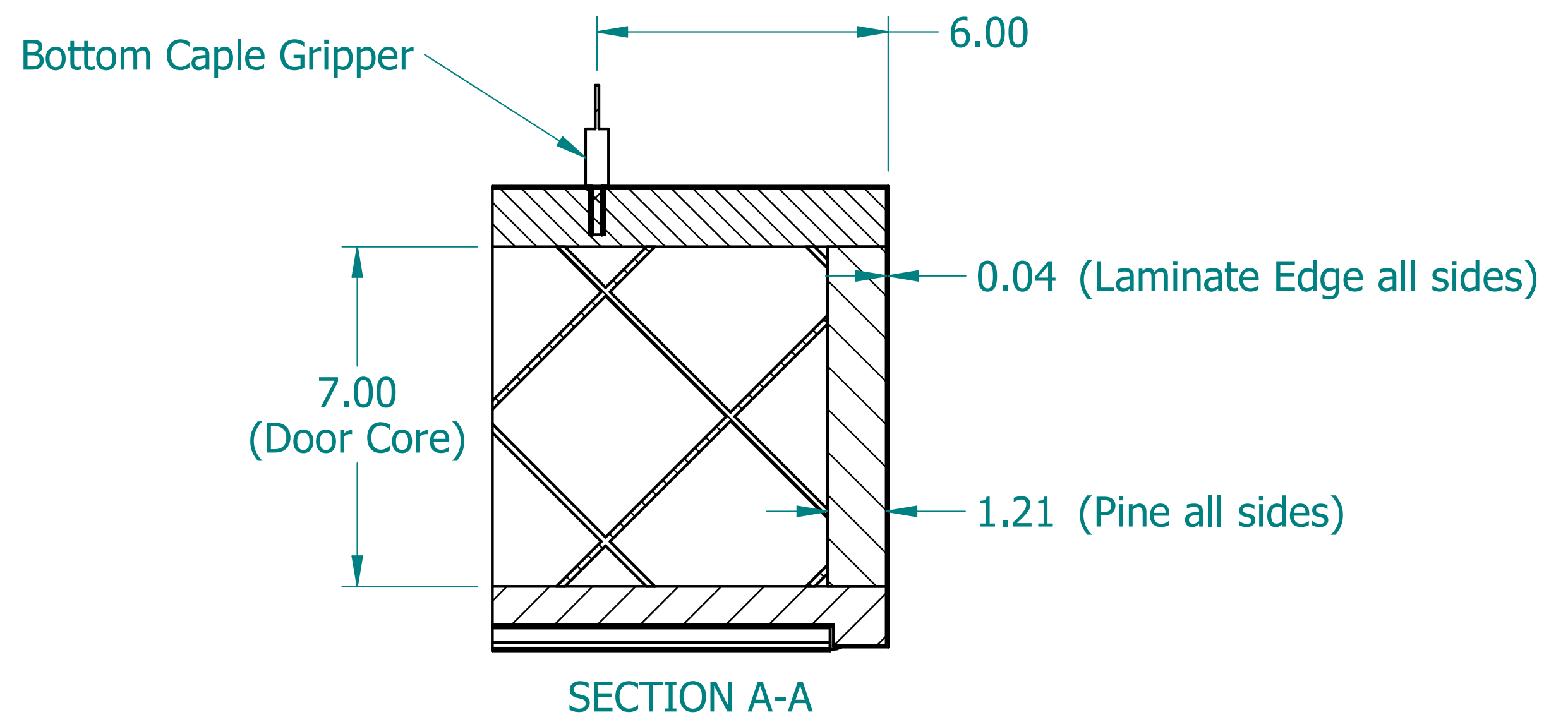
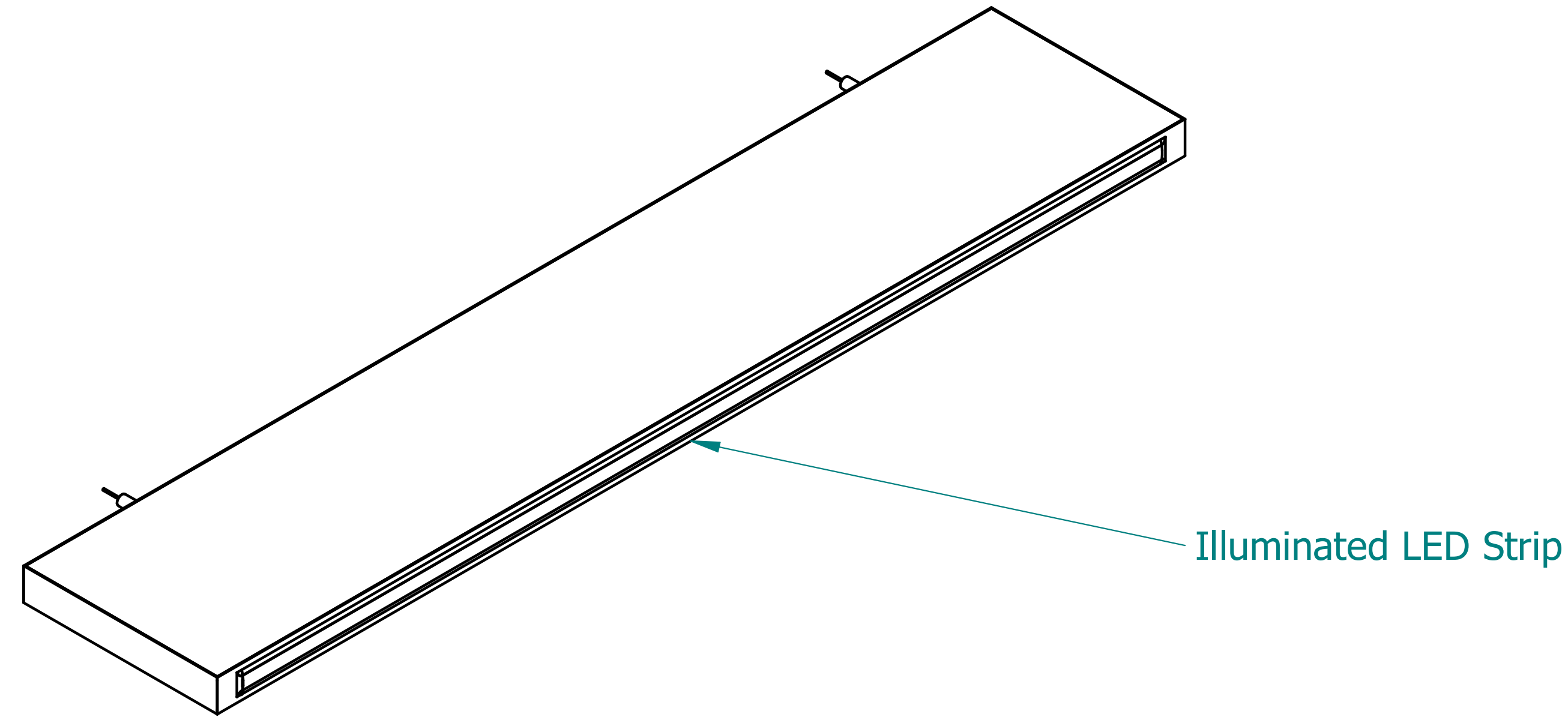


| REVISION HISTORY | | | |
|------------------|-------------|------|----------|
| REV. | DESCRIPTION | DATE | APPROVED |
| | | | |



| | NAME | DATE |
|----------|------|----------|
| DRAWN | CBS | 12/14/23 |
| ENG APPR | CBS | 12/14/23 |



UNLESS OTHERWISE SPECIFIED DIMENSIONS ARE IN 'INCHES'
 ANGLES $\pm 0.8^\circ$; 2 PL ± 0.040 ;
 3 PL ± 0.020

| | |
|-------------------------------------------------------|-------------|
| TITLE Illuminated Laminate Beam | |
| SUBTITLE 48"x10"x1.5" | |
| PART NO: IXBeam-027-XX | REV. 1.0 |
| SIZE: 34"x22" | SCALE: 0.25 |
| SHEET 1 OF 1 | |
| FILE NAME: Illuminated Laminated Beam (48.10.1.5).dft | |