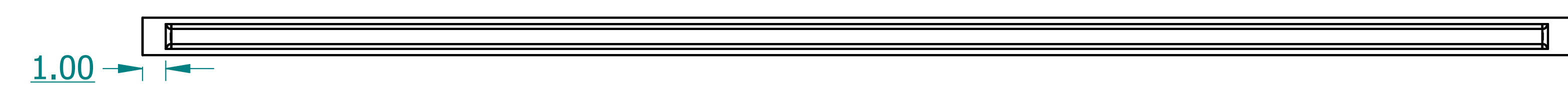
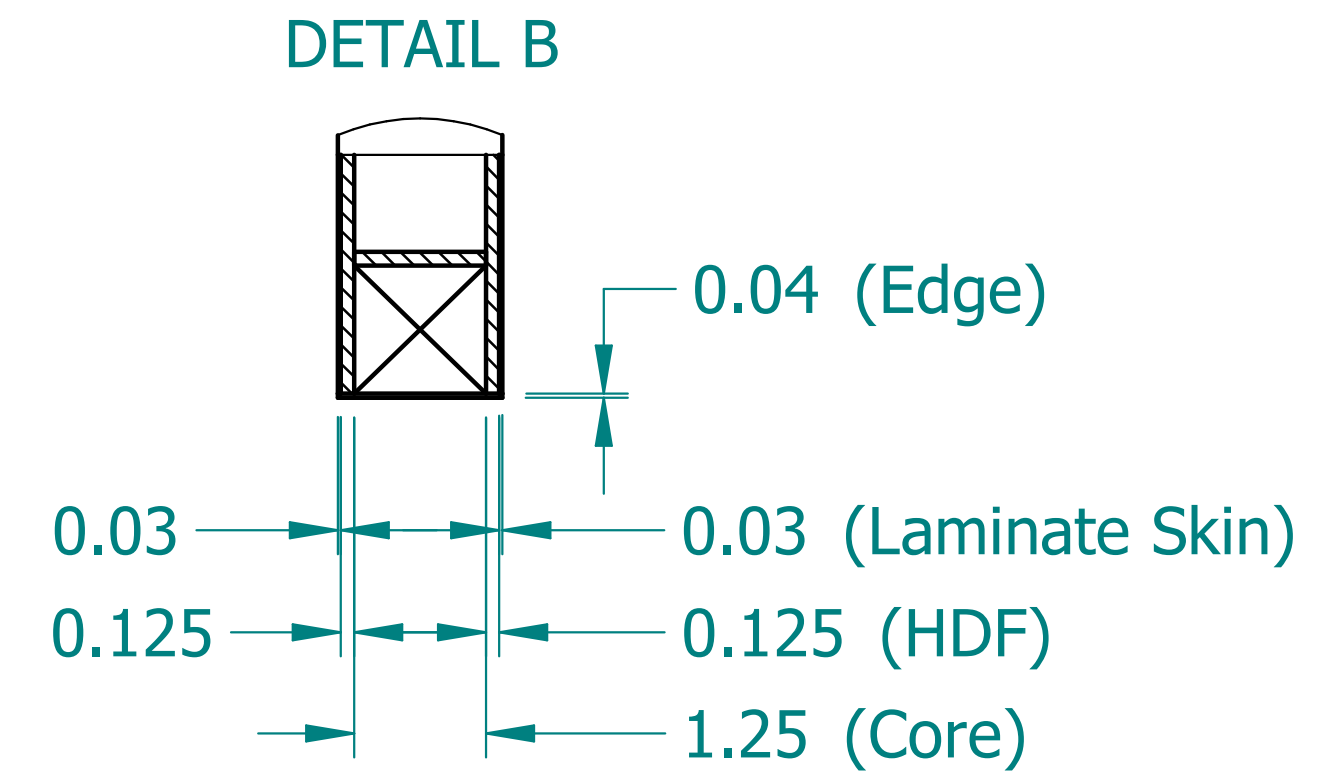
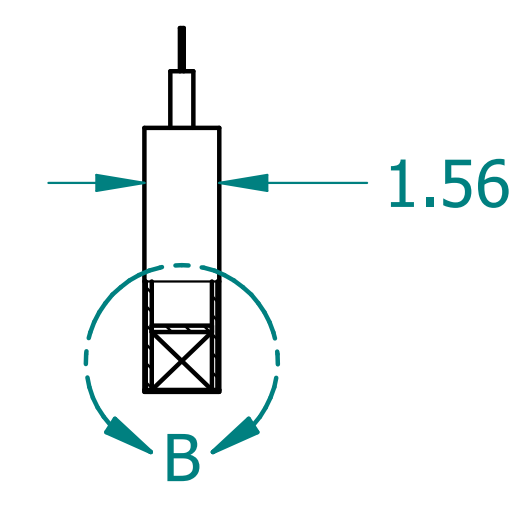
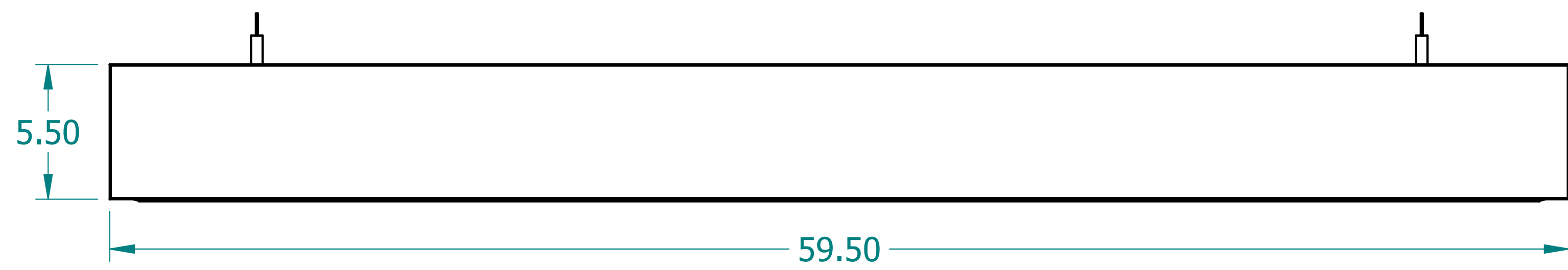
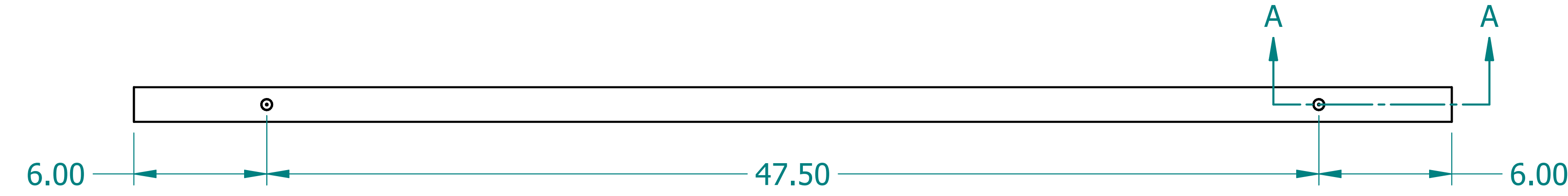
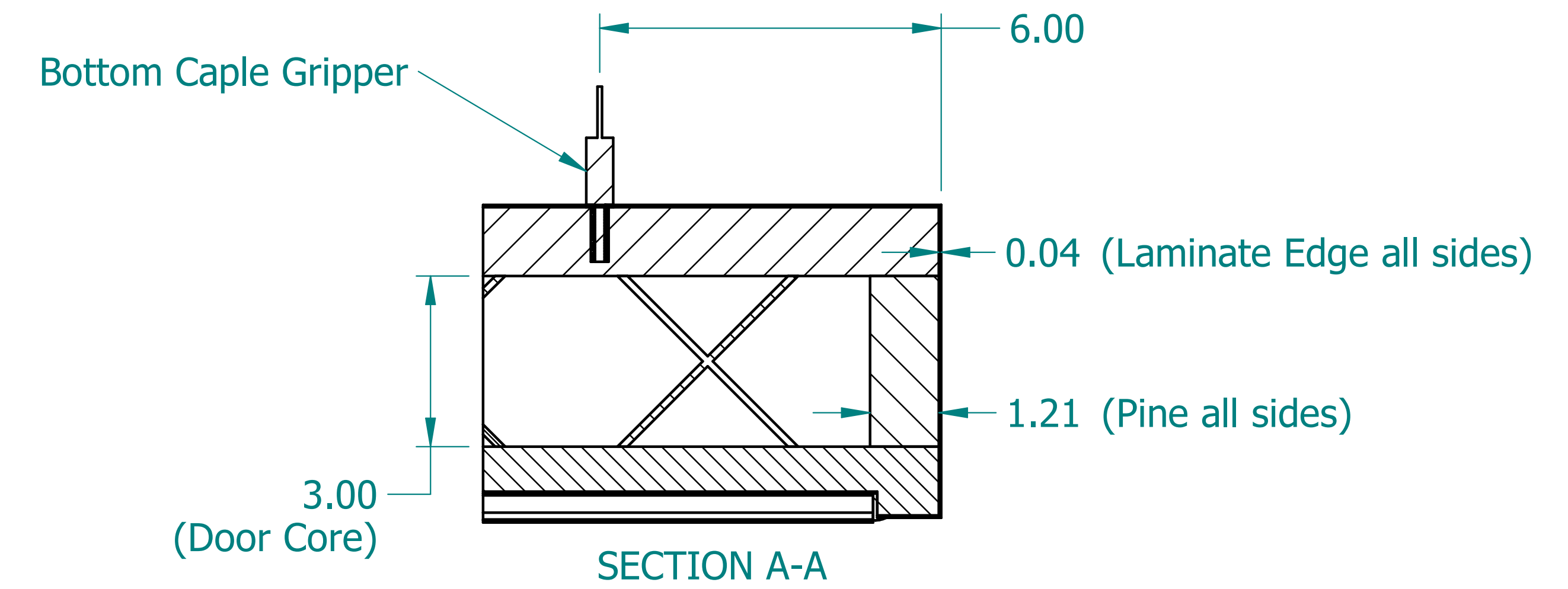
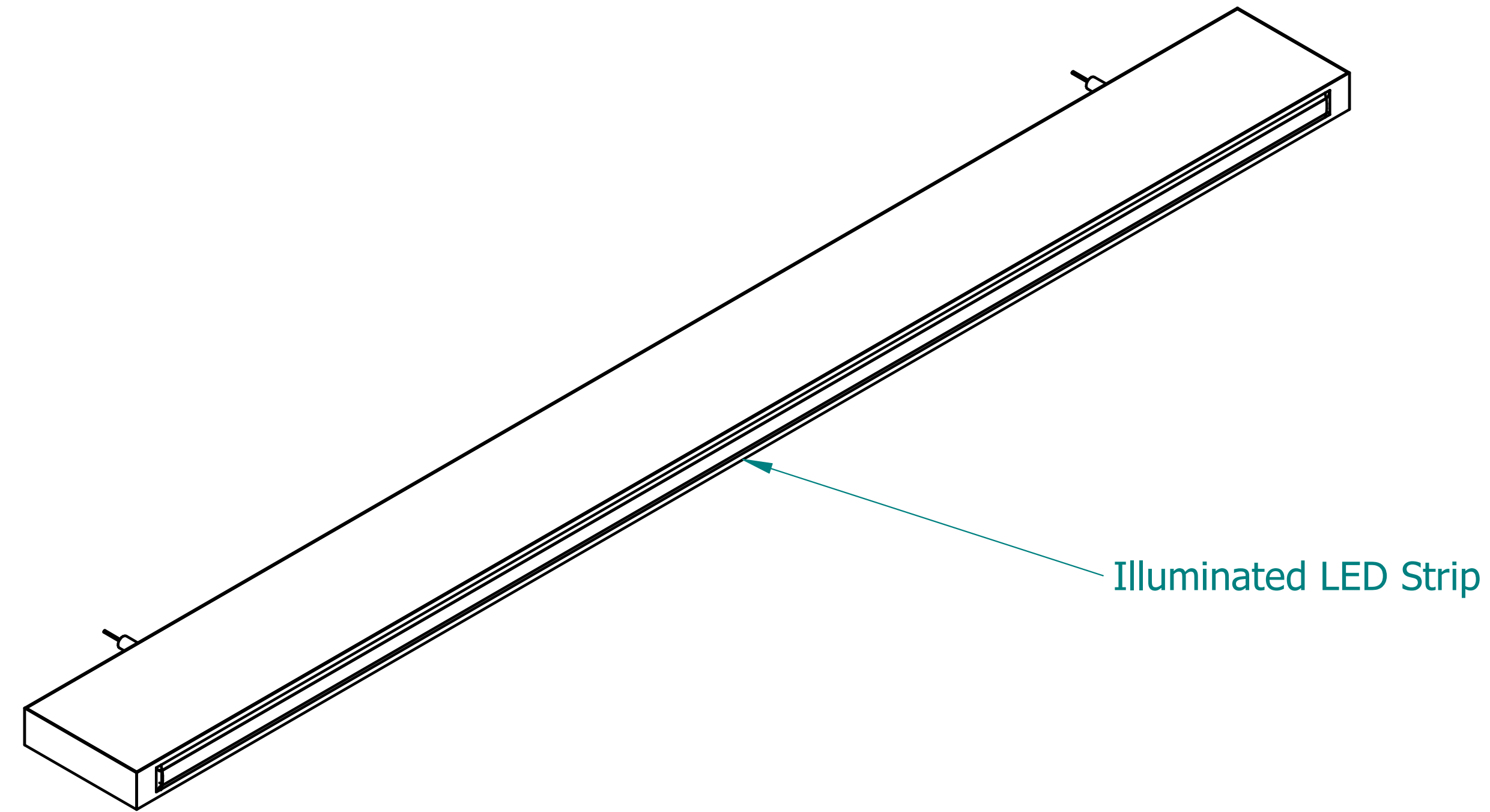


REVISION HISTORY			
REV.	DESCRIPTION	DATE	APPROVED



	NAME	DATE		
DRAWN	CBS	12/14/23		
ENG APPR	CBS	12/14/23		
<p>UNLESS OTHERWISE SPECIFIED DIMENSIONS ARE IN 'INCHES'</p> <p>ANGLES <math>\pm 0.8^\circ</math> ; 2 PL <math>\pm 0.040</math> ; 3 PL <math>\pm 0.020</math></p>			TITLE	
			Illuminated Laminate Beam	
			SUBTITLE	
			60"x6"x1.5"	
			PART NO:	IXBeam-037-XX
SIZE: 34"x22"	SCALE: 0.25	SHEET 1 OF 1		
FILE NAME: Illuminated Laminated Beam (60.6.1.5).dft				