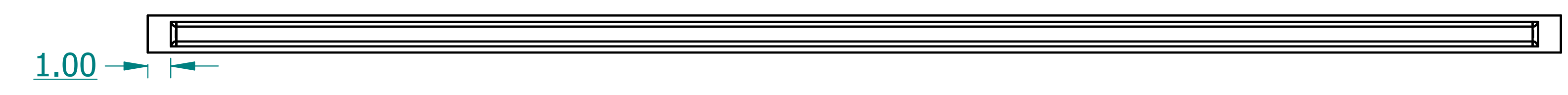
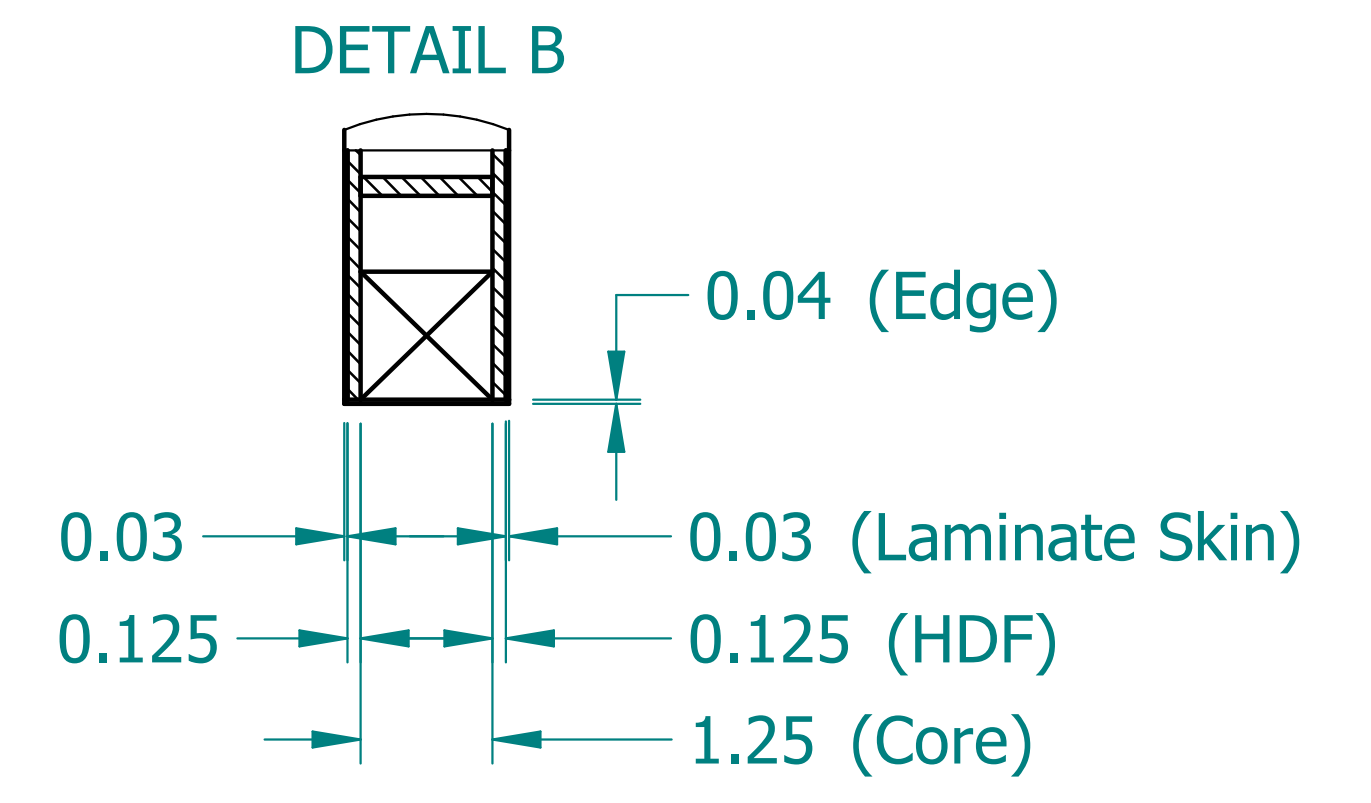
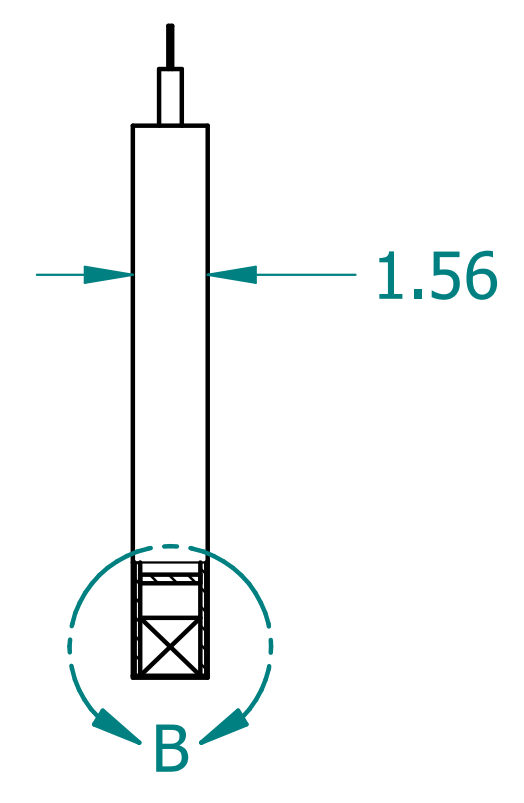
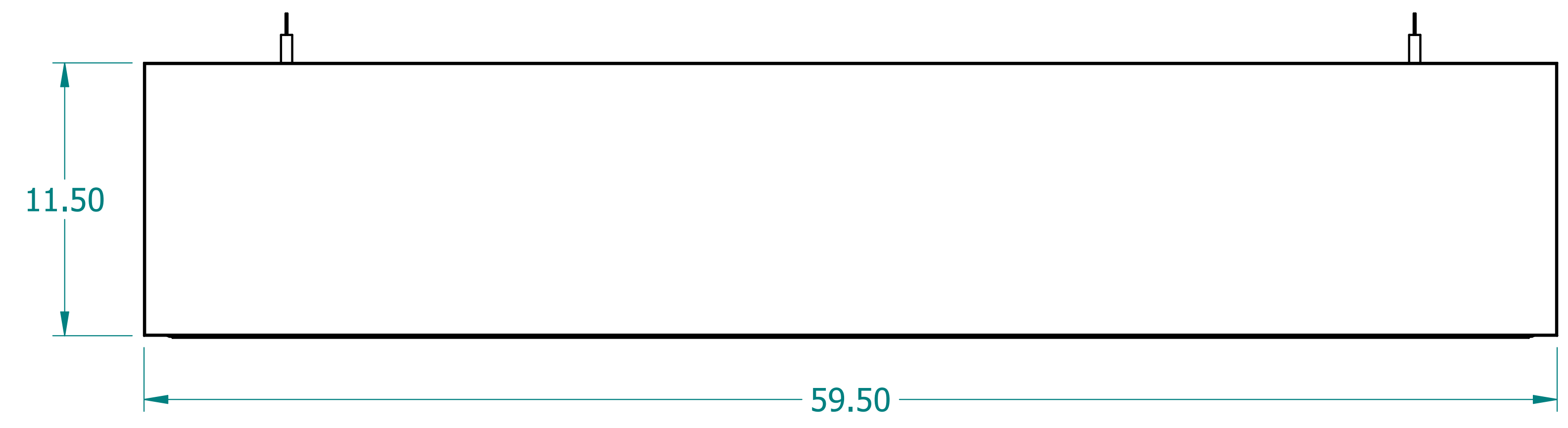
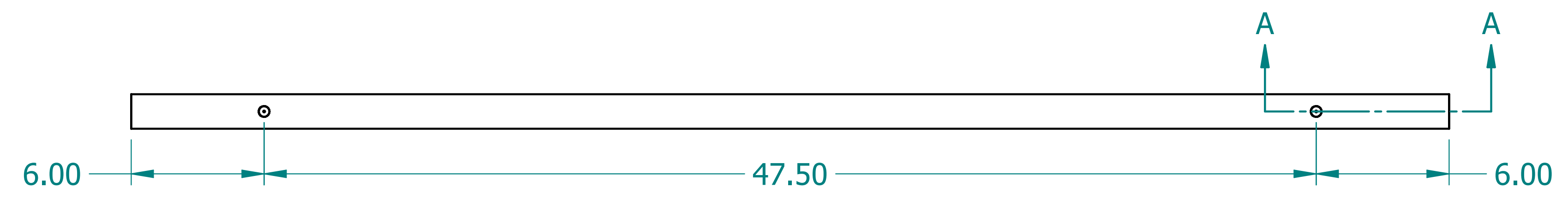
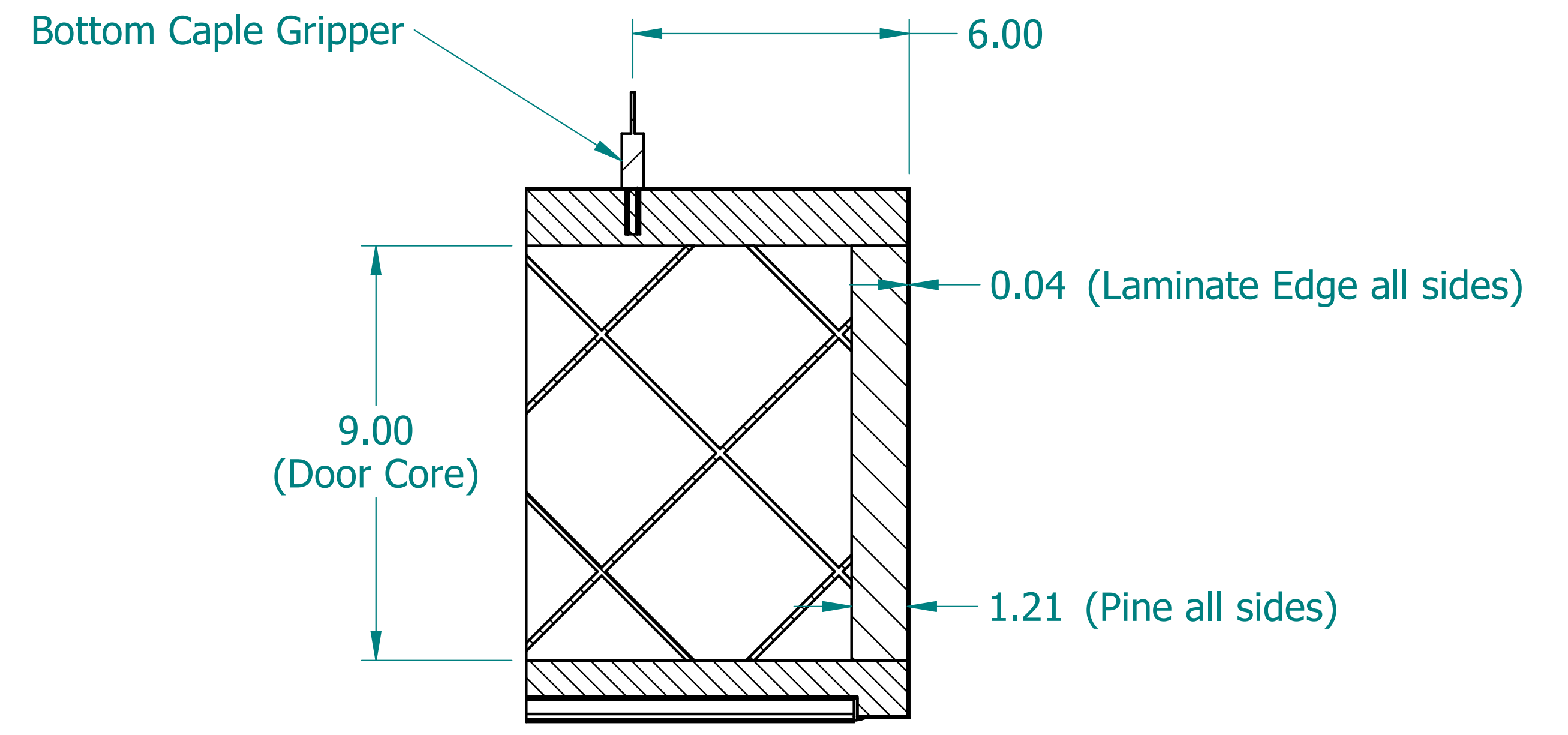
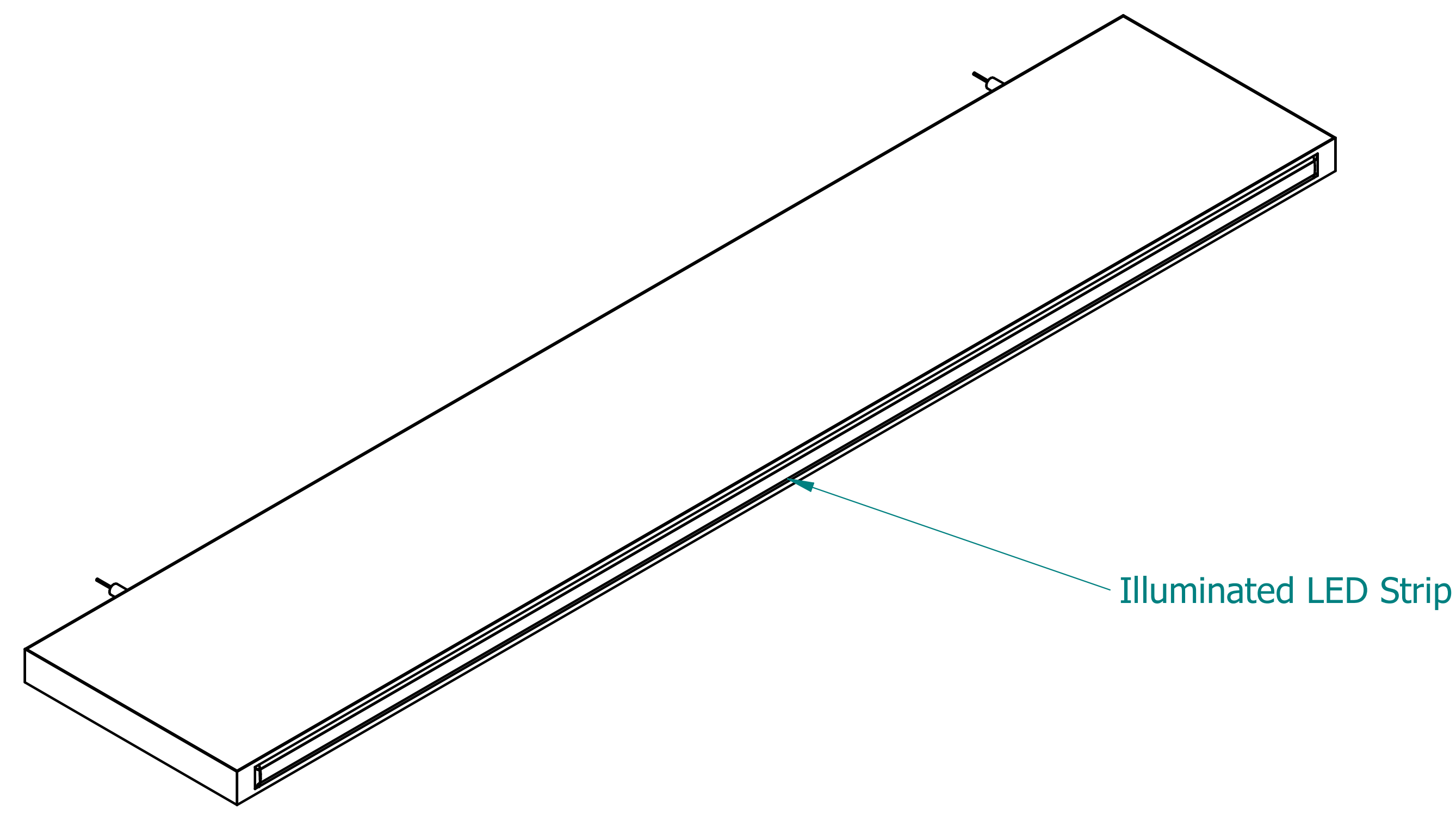


REVISION HISTORY			
REV.	DESCRIPTION	DATE	APPROVED



	NAME	DATE		
DRAWN	CBS	12/14/23		
ENG APPR	CBS	12/14/23		
			TITLE Illuminated Laminate Beam	
UNLESS OTHERWISE SPECIFIED DIMENSIONS ARE IN 'INCHES' ANGLES $\pm 0.8^\circ$; 2 PL ± 0.040 ; 3 PL ± 0.020			SUBTITLE 60"x12"x1.5"	
PART NO:		IXBeam-040-XX	REV.	1.0
SIZE: 34"x22"	SCALE: 0.25	SHEET 1 OF 1		
FILE NAME: Illuminated Laminated Beam (60.12.1.5).dft				