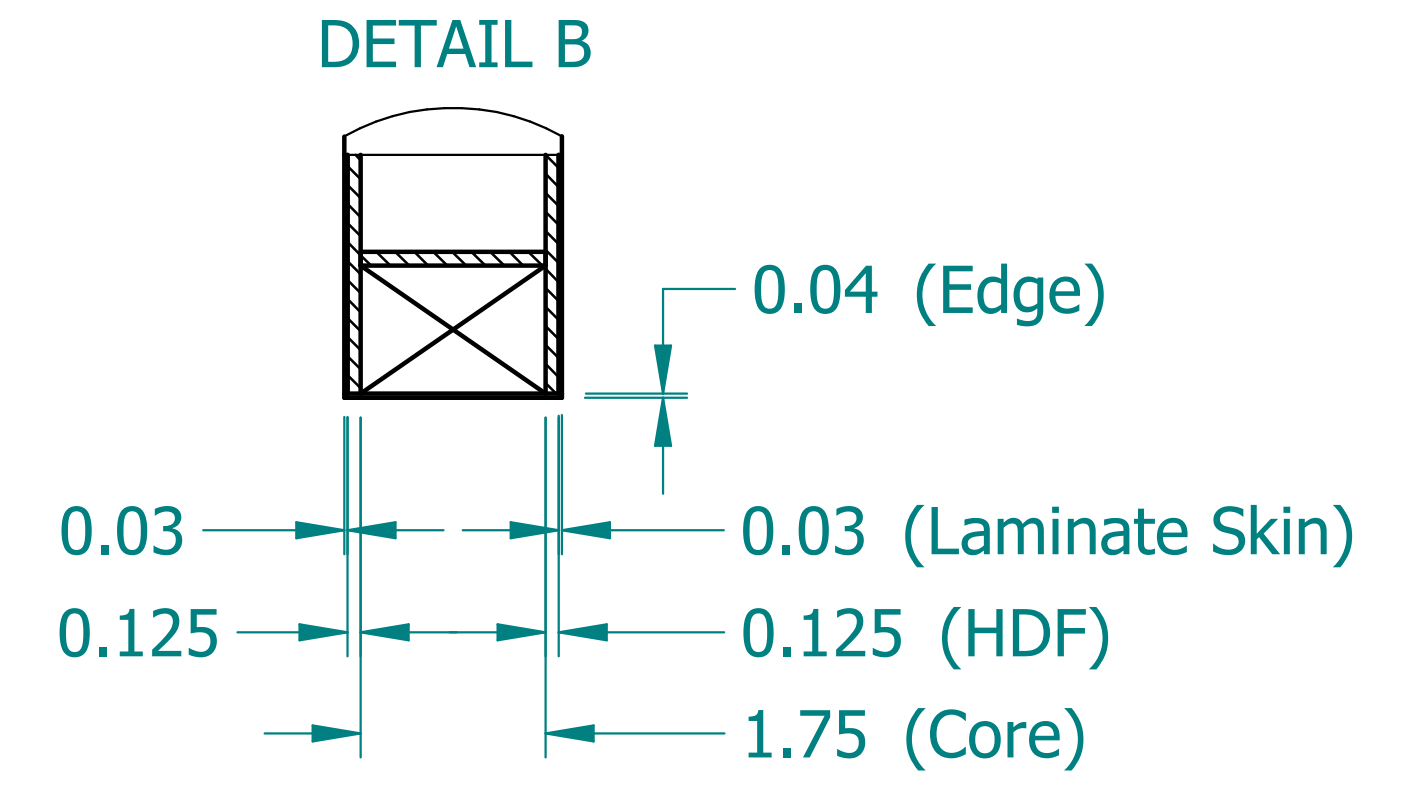
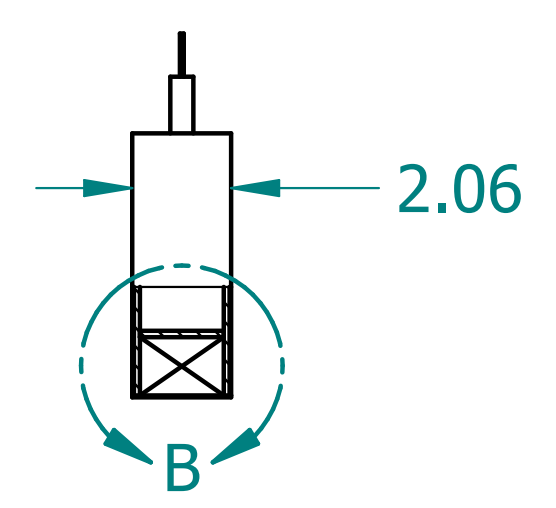
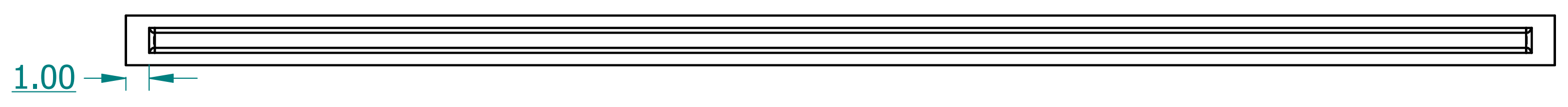
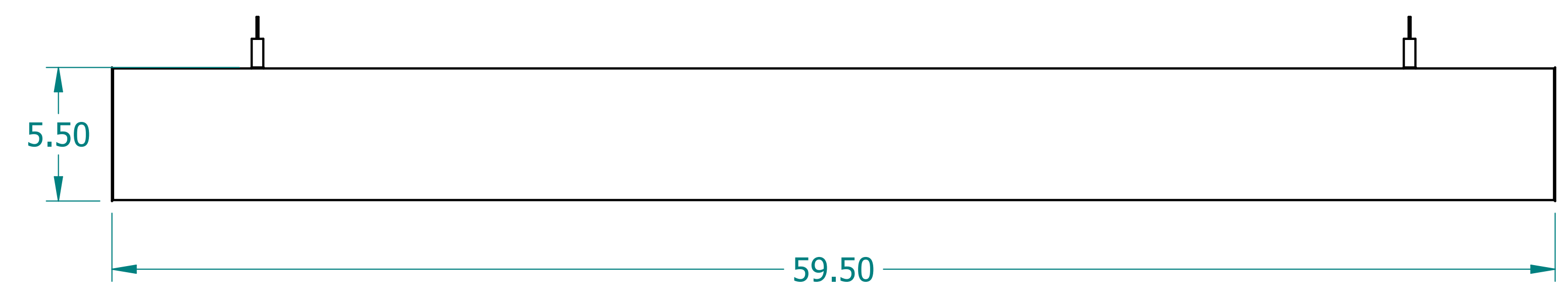
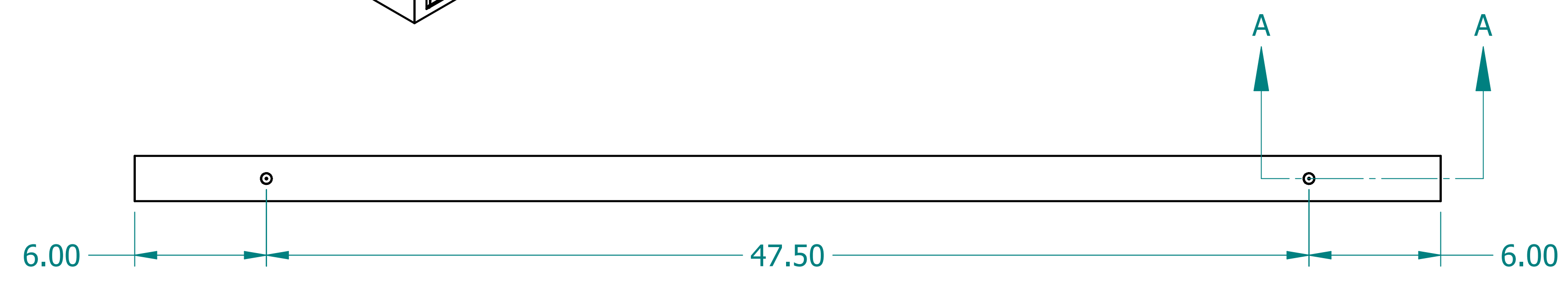
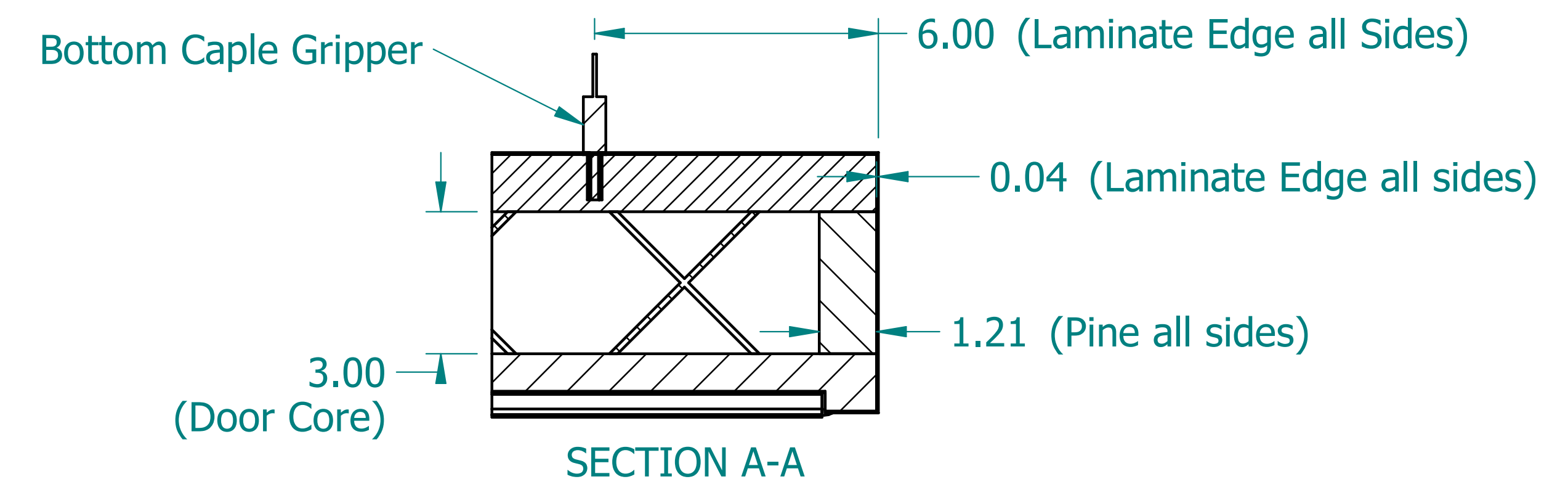
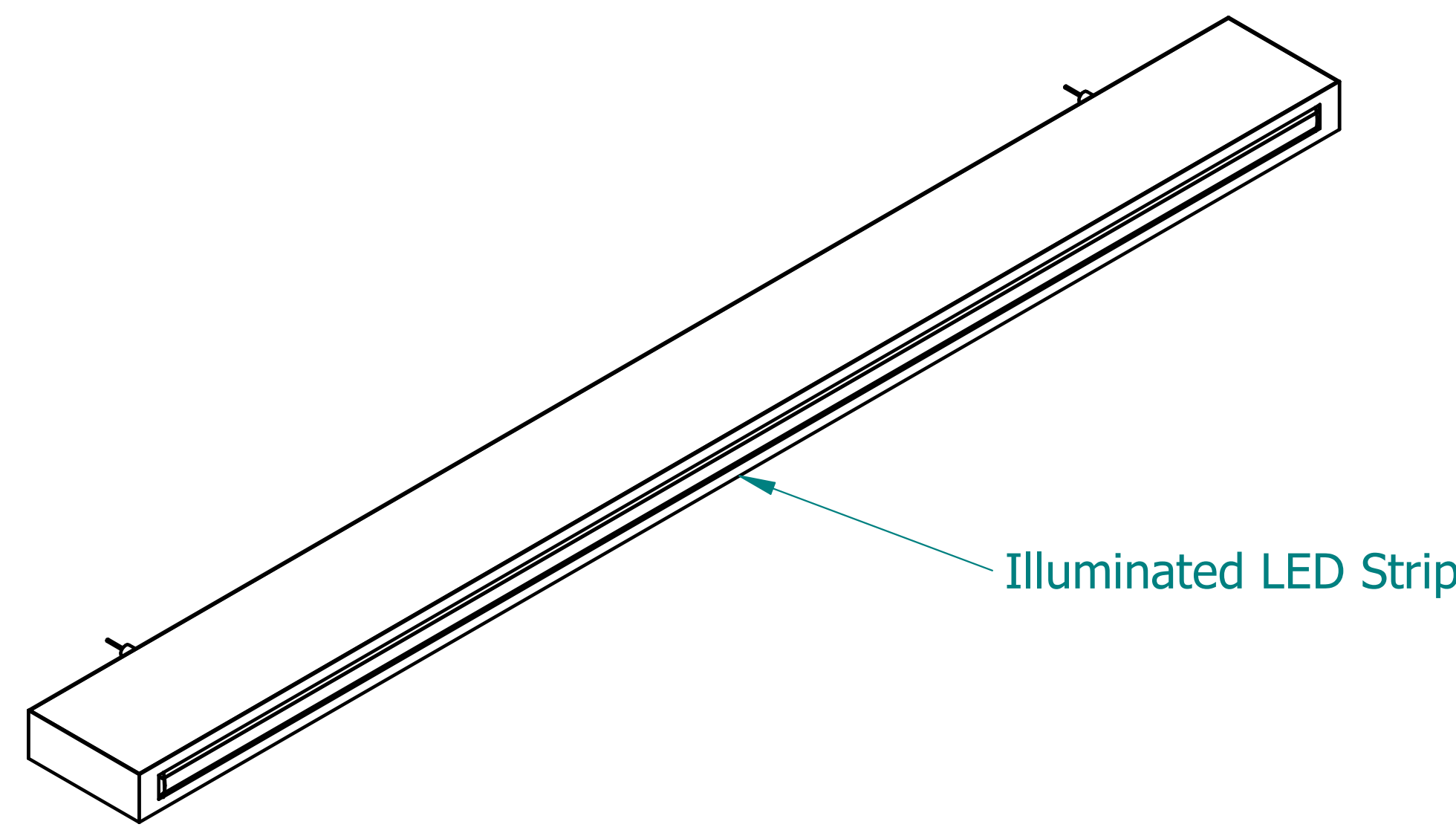


REVISION HISTORY			
REV.	DESCRIPTION	DATE	APPROVED



NAME	DATE	
DRAWN CBS	12/04/23	
ENG APPR CBS	12/04/23	
		<b>TITLE</b> Illuminated Laminate Beam
UNLESS OTHERWISE SPECIFIED DIMENSIONS ARE IN 'INCHES' ANGLES $\pm 0.8^\circ$ ; 2 PL $\pm 0.040$ ; 3 PL $\pm 0.020$		<b>SUBTITLE</b> 60"x6"x2"
PART NO: IXBeam-041-XX		REV. 1.0
SIZE: 34"x22"	SCALE: 0.25	SHEET 1 OF 1
FILE NAME: Illuminated Laminated Beam (60.6.2).dft		