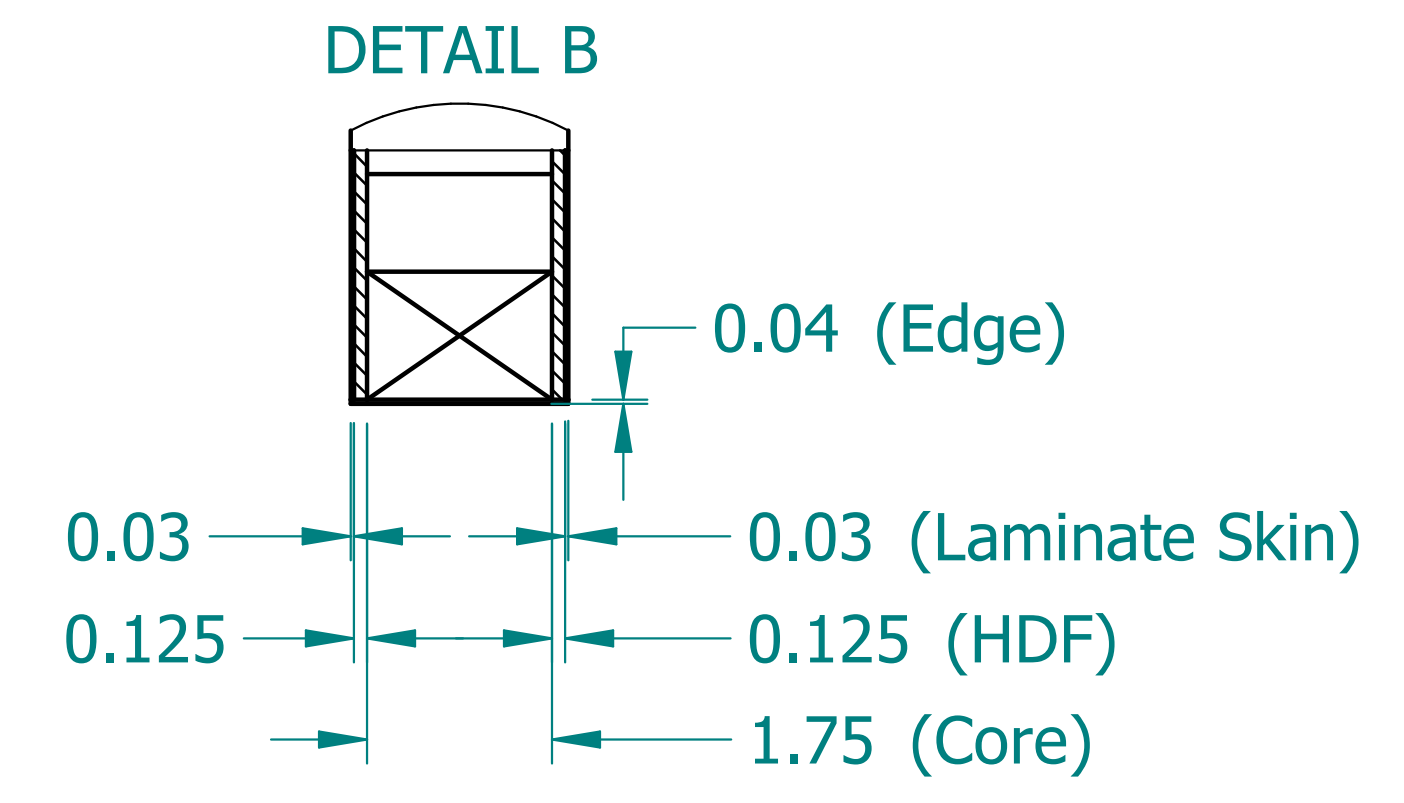
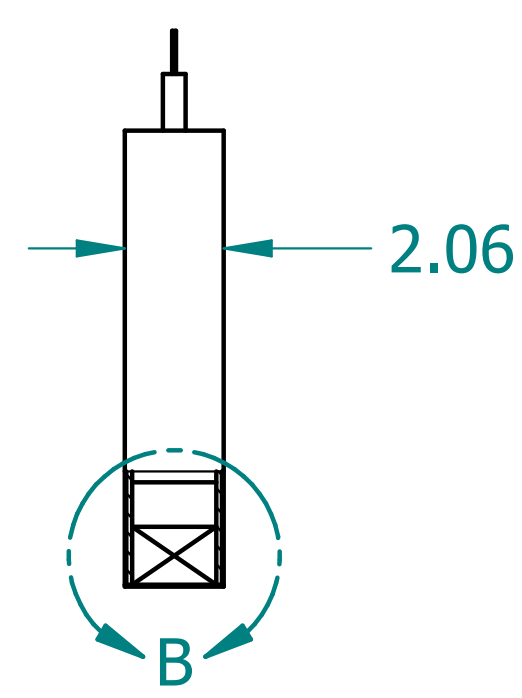
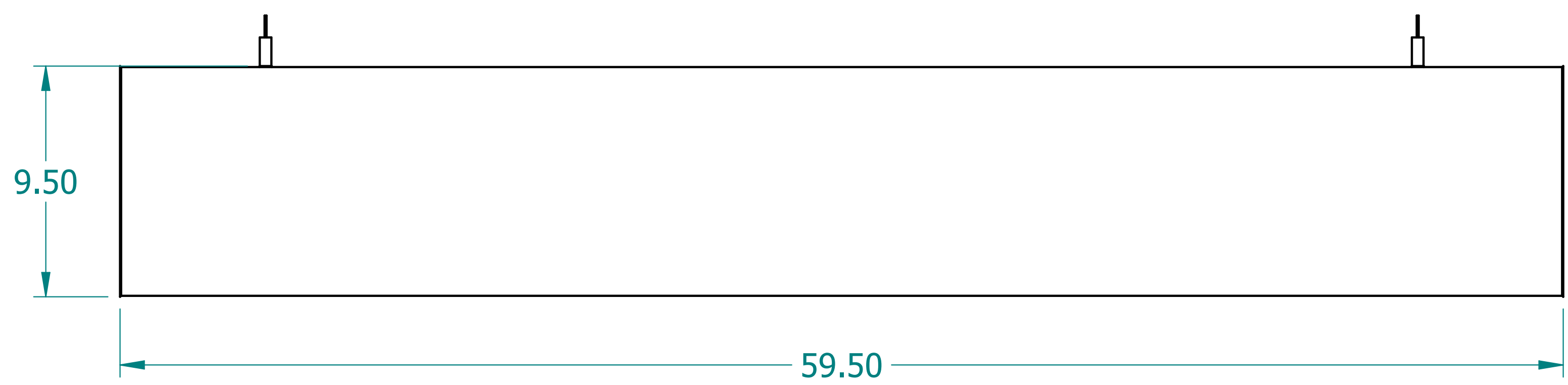
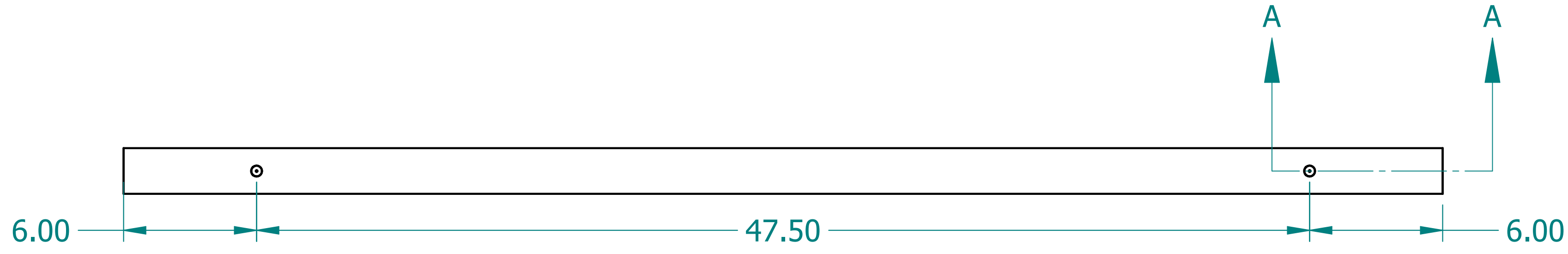
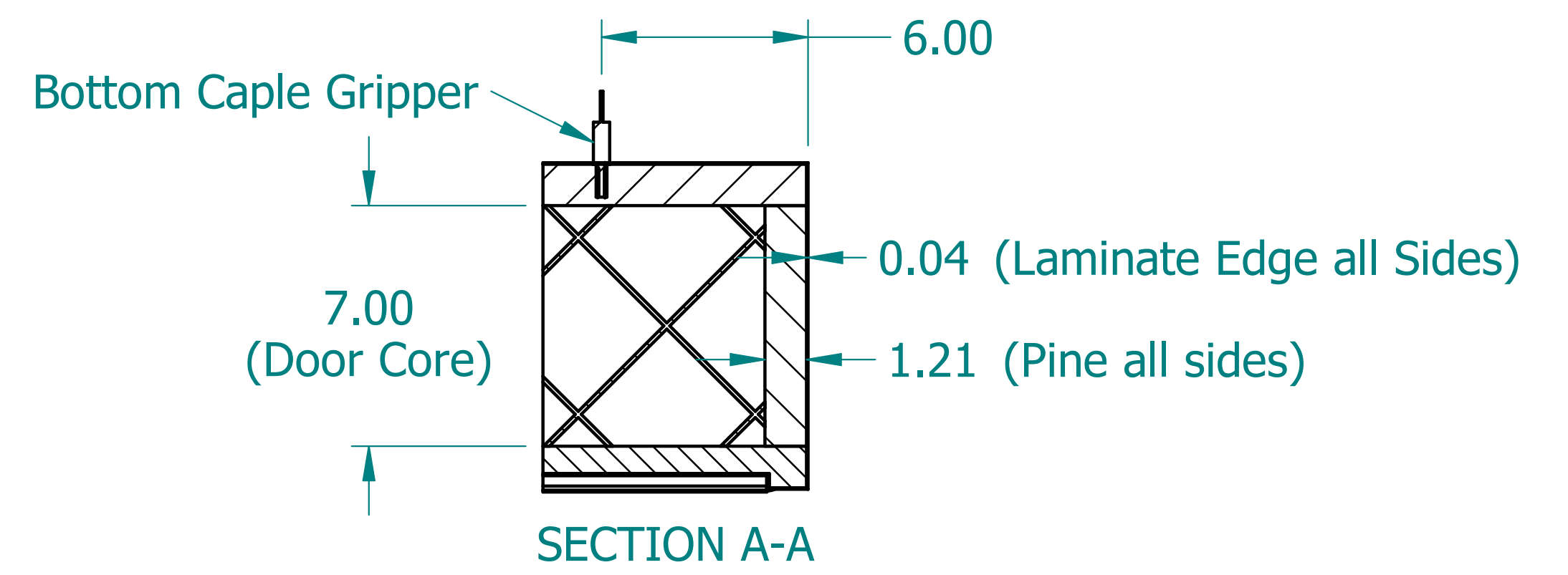
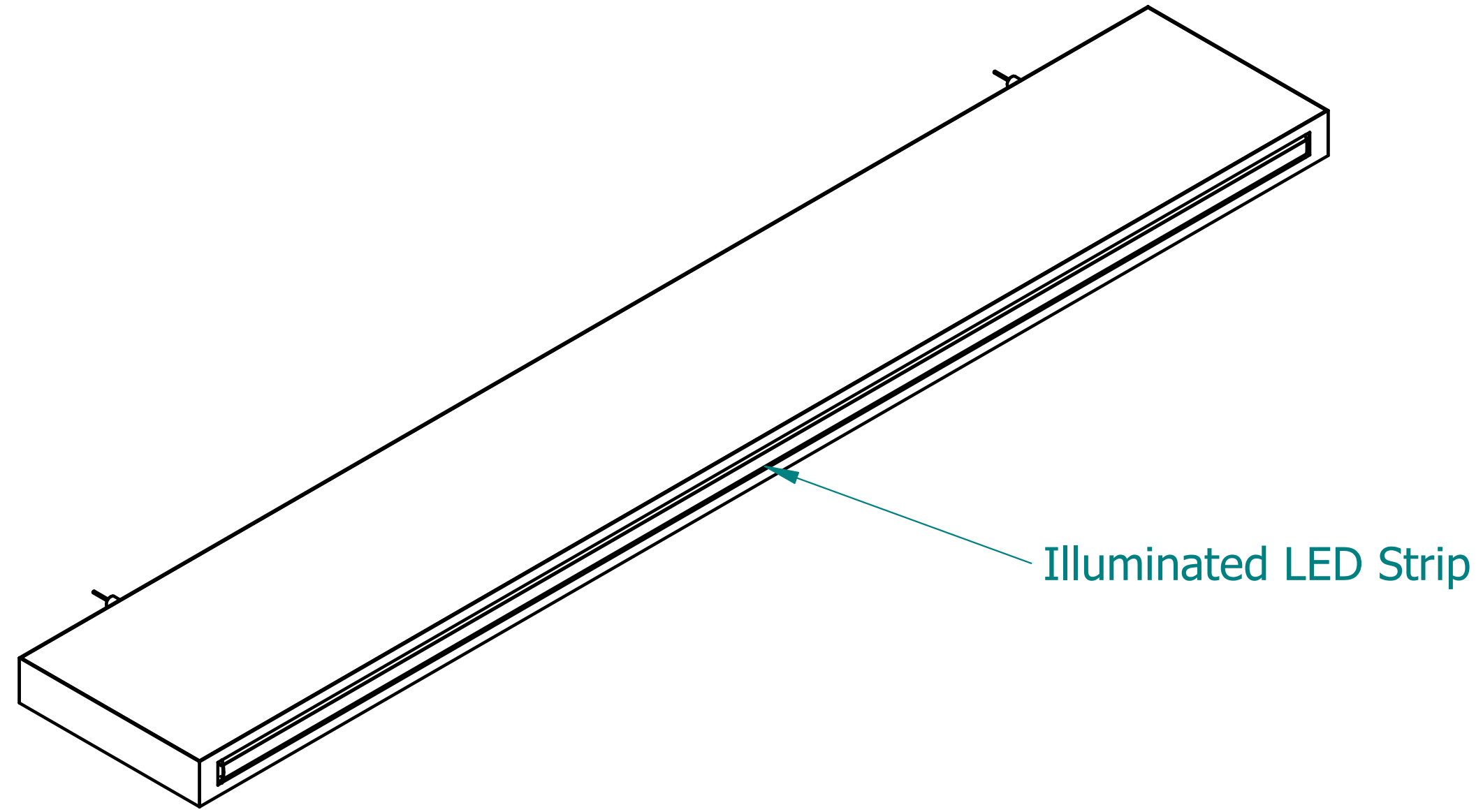


| REVISION HISTORY | | | |
|------------------|-------------|------|----------|
| REV. | DESCRIPTION | DATE | APPROVED |
| | | | |



| | NAME | DATE |
|----------|------|----------|
| DRAWN | CBS | 12/04/23 |
| ENG APPR | CBS | 12/04/23 |



UNLESS OTHERWISE SPECIFIED DIMENSIONS ARE IN 'INCHES'
 ANGLES $\pm 0.8^\circ$; 2 PL ± 0.040 ;
 3 PL ± 0.020

| | | |
|---|-------------|--------------|
| TITLE Illuminated Laminate Beam | | |
| SUBTITLE 60"x10"x2" | | |
| PART NO: IXBeam-043-XX | REV. 1.0 | |
| SIZE: 34"x22" | SCALE: 0.25 | SHEET 1 OF 1 |
| FILE NAME: Illuminated Laminated Beam (60.10.2).dft | | |