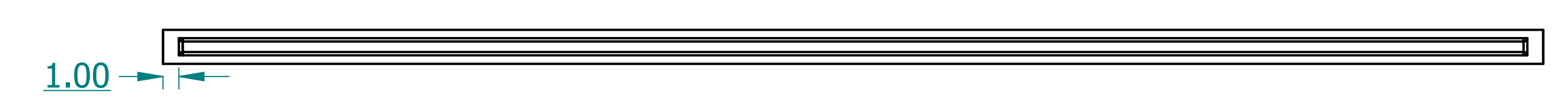
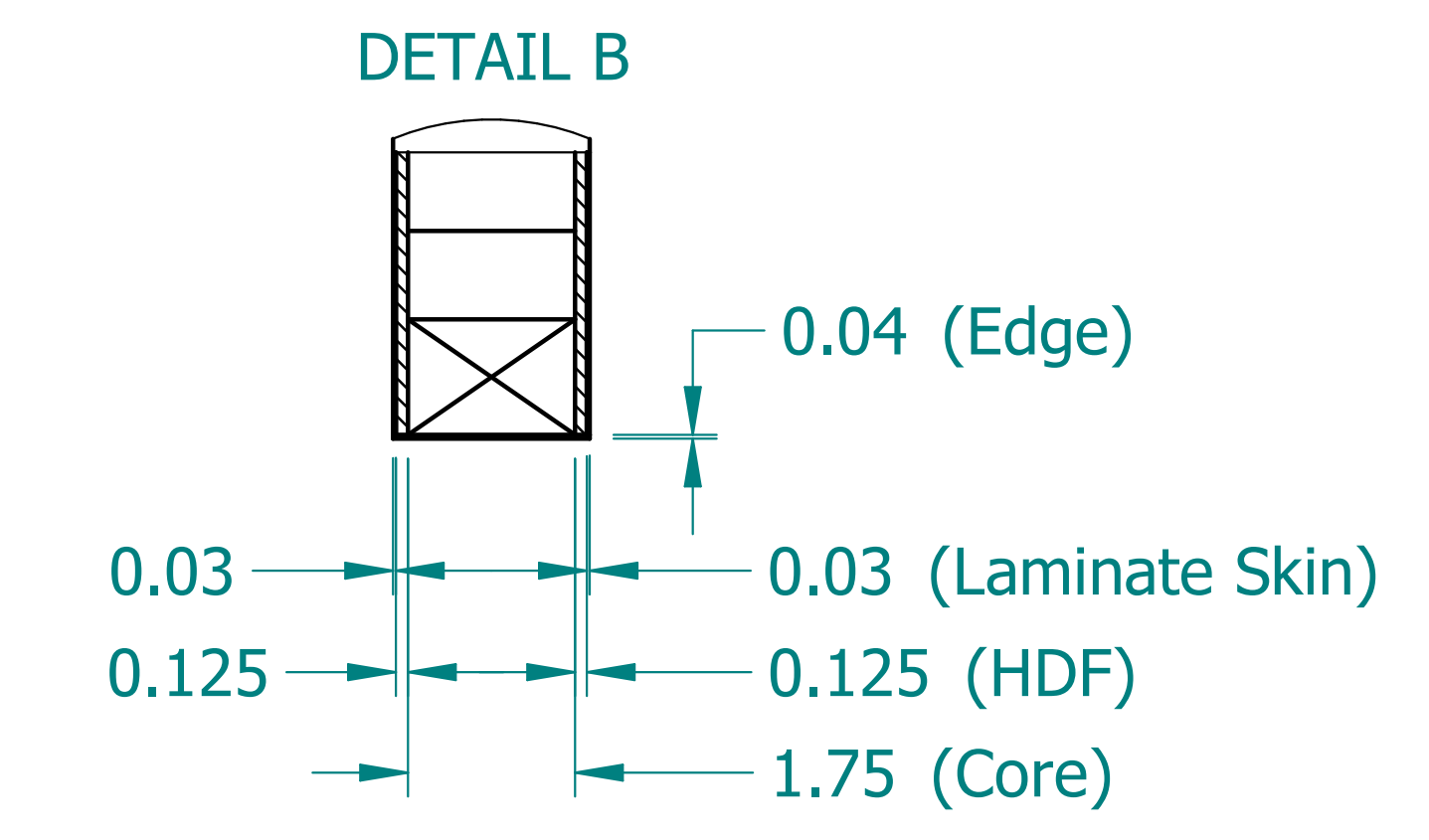
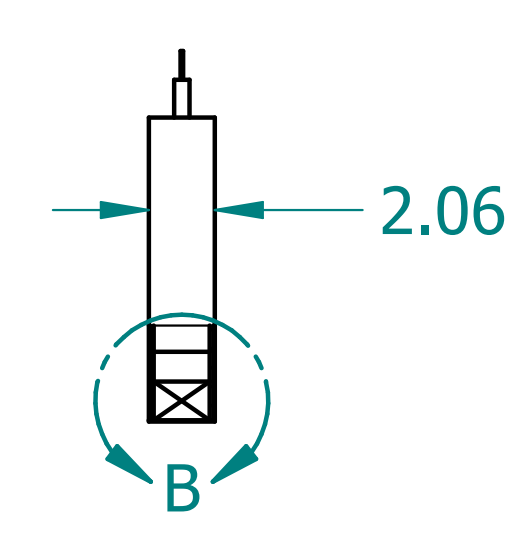
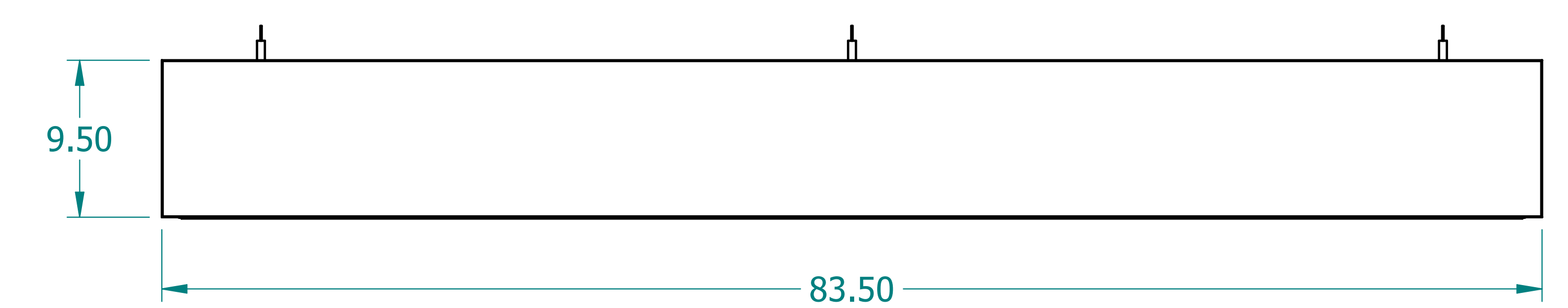
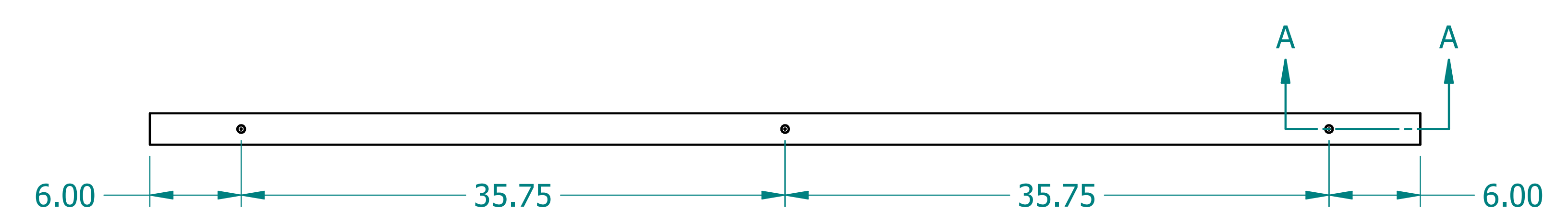
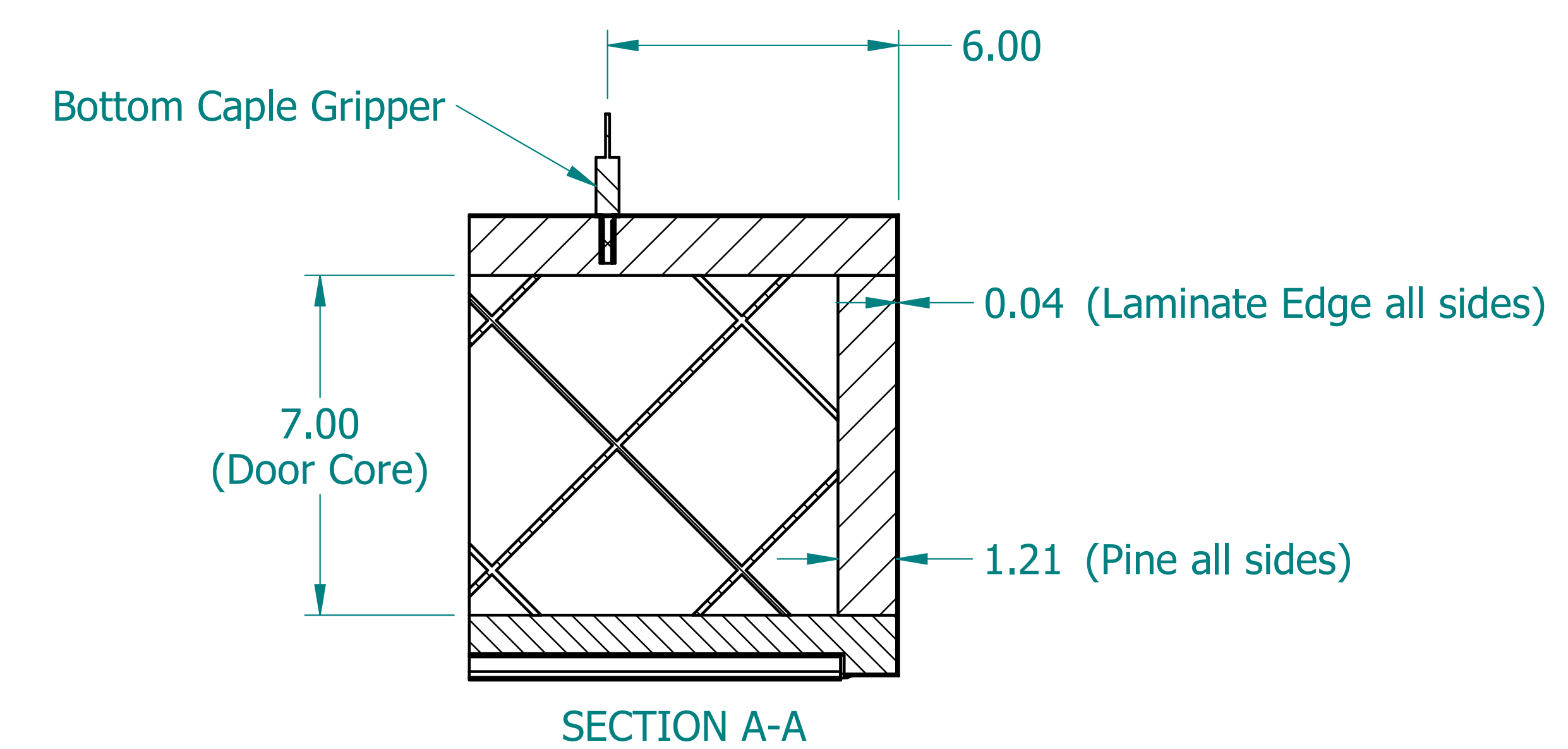
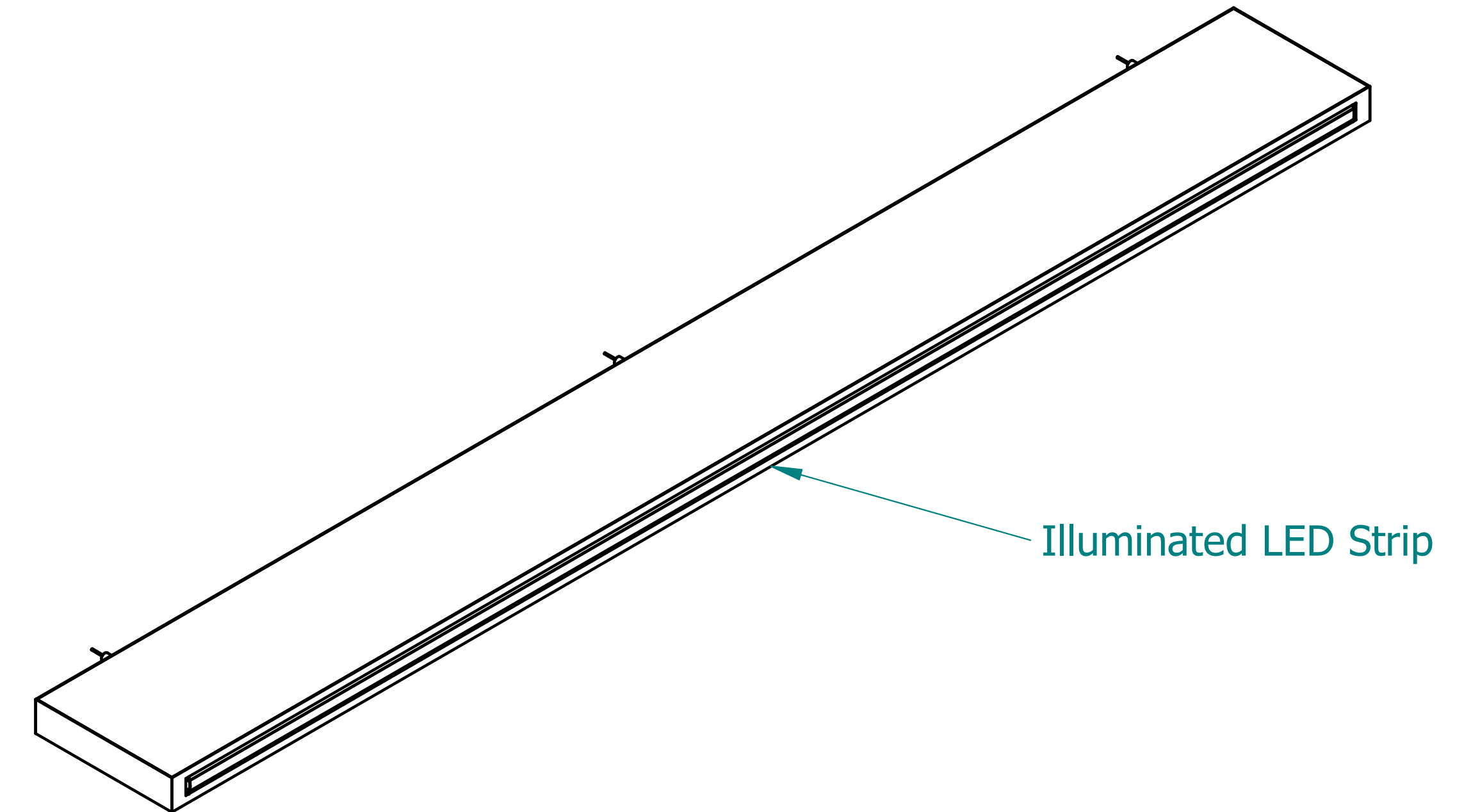


| REVISION HISTORY | | | |
|------------------|-------------|------|----------|
| REV. | DESCRIPTION | DATE | APPROVED |
| | | | |



| | | |
|---|----------|---|
| NAME | DATE | |
| DRAWN CBS | 12/07/23 | |
| ENG APPR CBS | 12/07/23 | |
| | | TITLE |
| UNLESS OTHERWISE SPECIFIED DIMENSIONS ARE IN 'INCHES' ANGLES $\pm 0.8^\circ$; 2 PL ± 0.040 ; 3 PL ± 0.020 | | Illuminated Laminate Beam |
| | | SUBTITLE |
| | | 84"x10"x2" |
| | | PART NO: IXBeam-067-XX |
| | | REV. 1.0 |
| | | SIZE: 34"x22" SCALE: 0.17 SHEET 1 OF 1 |
| | | FILE NAME: Illuminated Laminated Beam (84.10.2).dft |