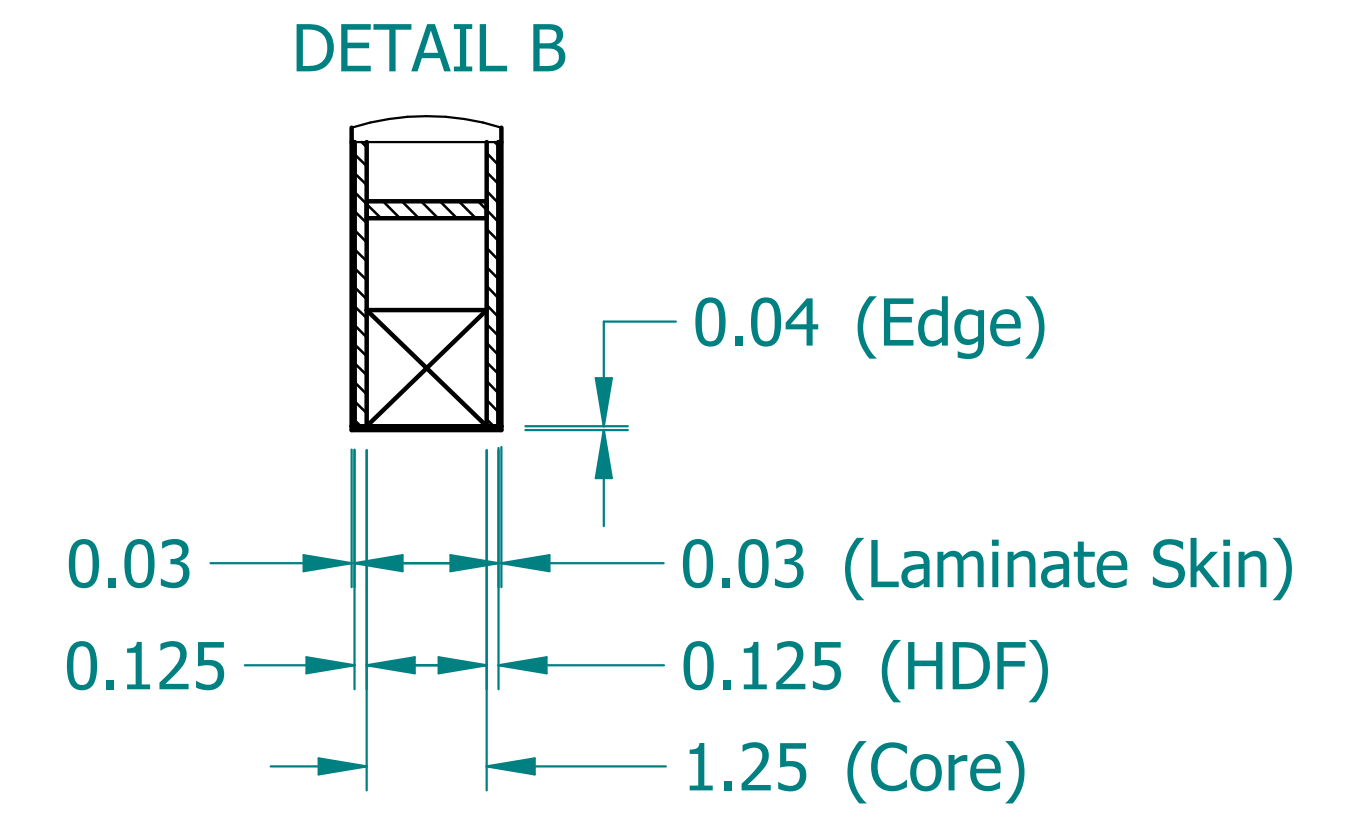
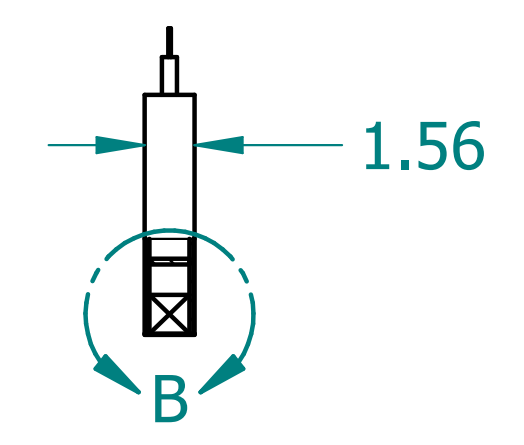
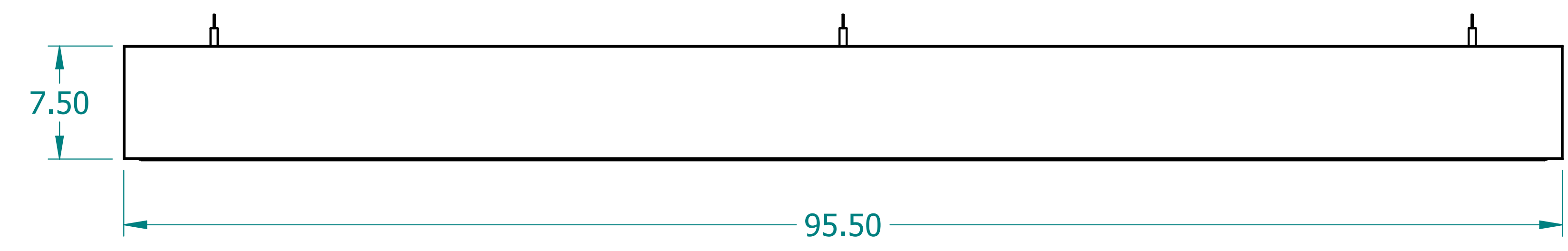
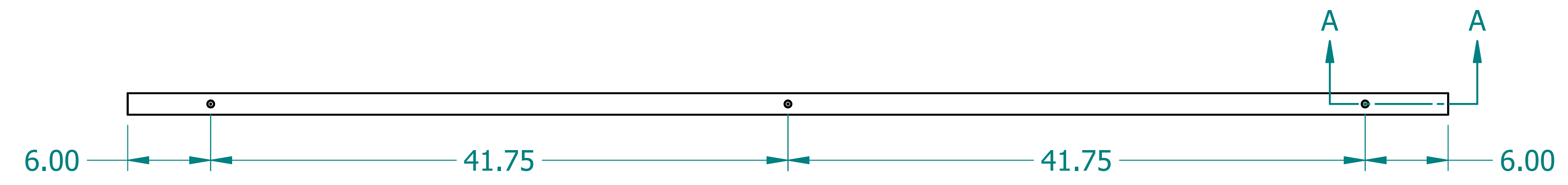
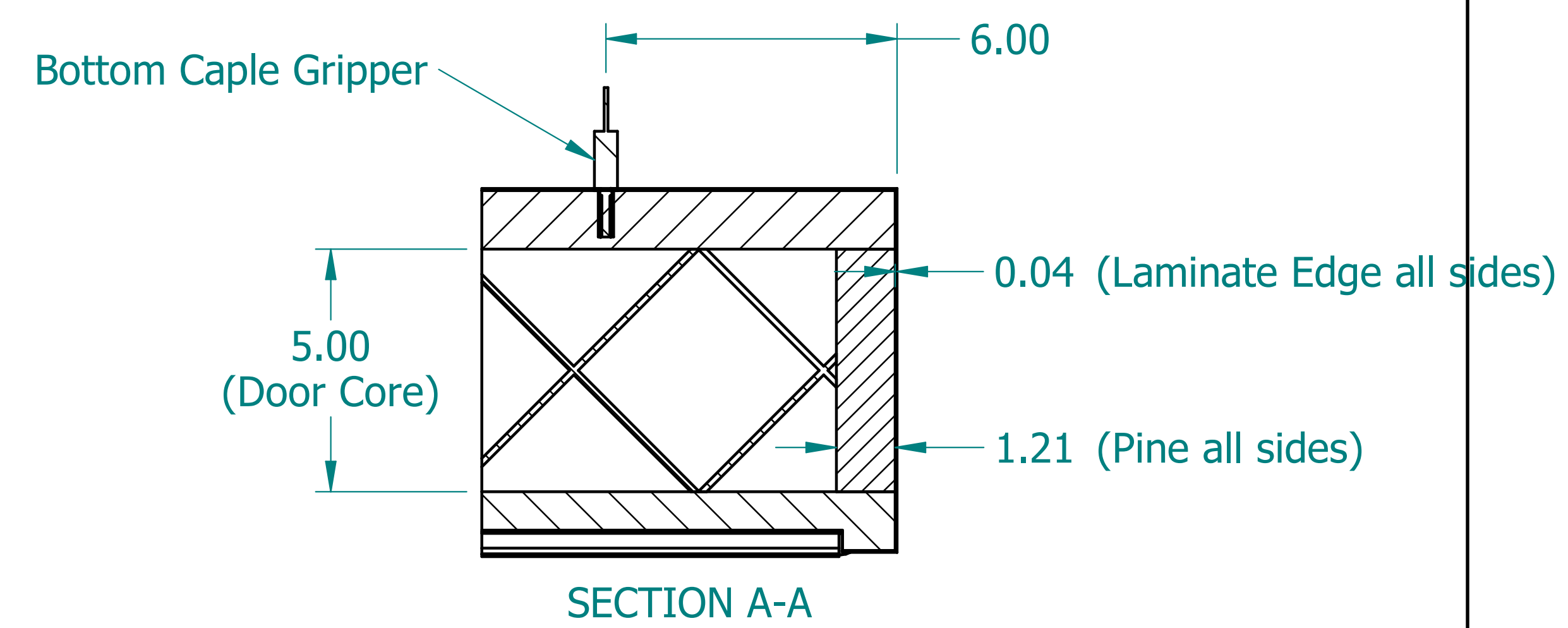
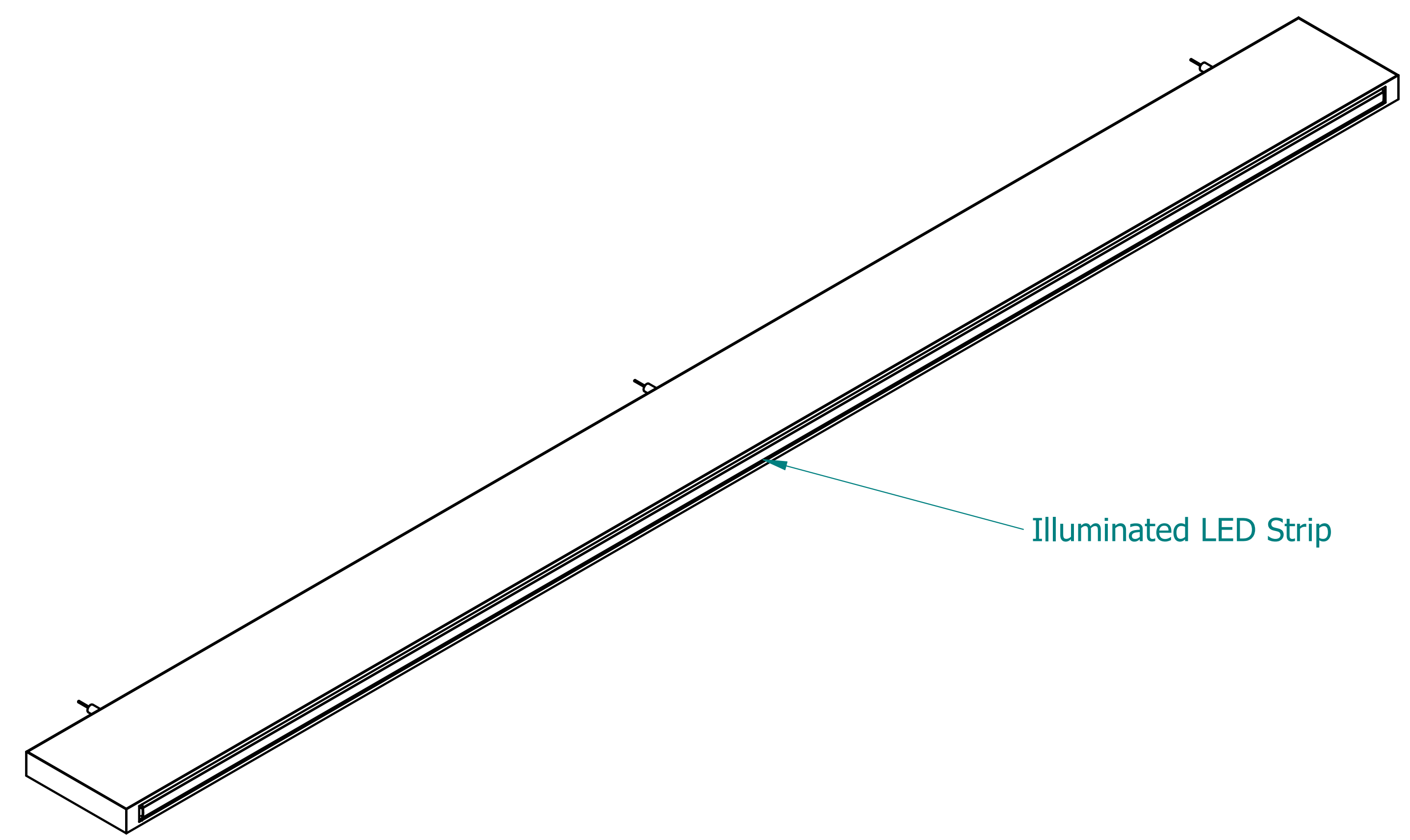


REVISION HISTORY			
REV.	DESCRIPTION	DATE	APPROVED



NAME	DATE	
DRAWN CBS	12/18/23	
ENG APPR CBS	12/18/23	
<p>UNLESS OTHERWISE SPECIFIED DIMENSIONS ARE IN 'INCHES'</p> <p>ANGLES ±0.8° ; 2 PL ±0.040 ; 3 PL ±0.020</p>		<p>TITLE</p> <p><b>Illuminated Laminate Beam</b></p> <p>SUBTITLE</p> <p>96"x8"x1.5"</p> <p>PART NO: IXBeam-074-XX</p> <p>REV. 1.0</p> <p>SIZE: 34"x22" SCALE: 0.17 SHEET 1 OF 1</p> <p>FILE NAME: Illuminated Laminated Beam (96.8.1.5).dft</p>