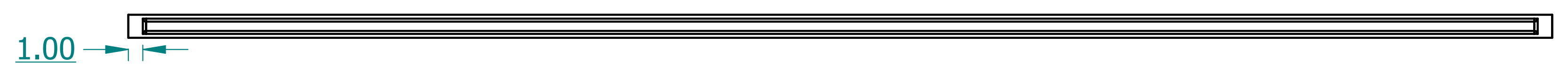
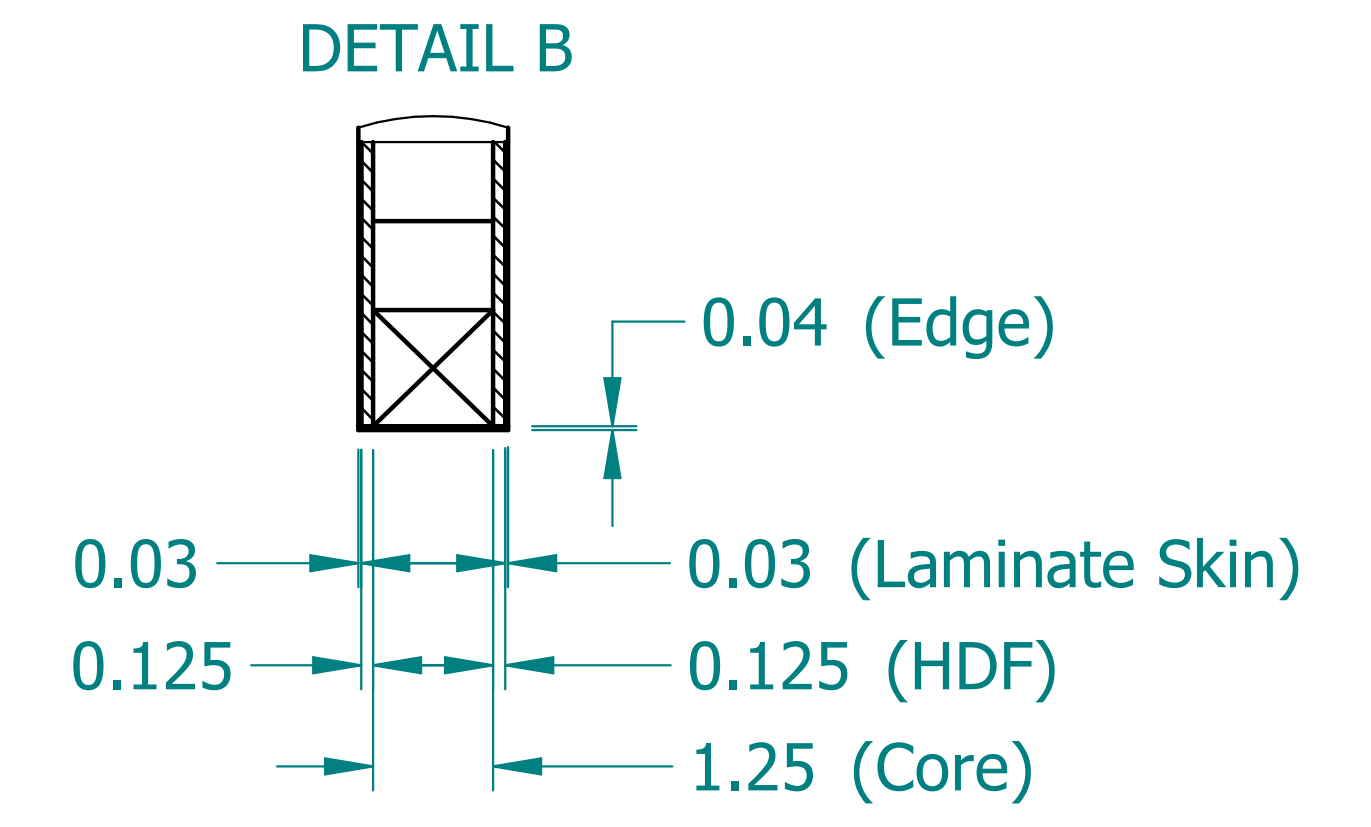
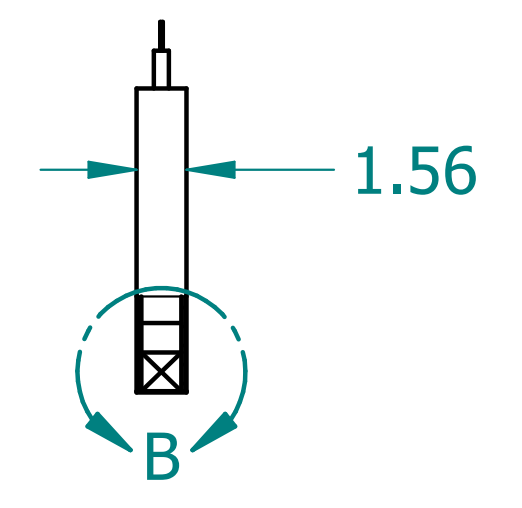
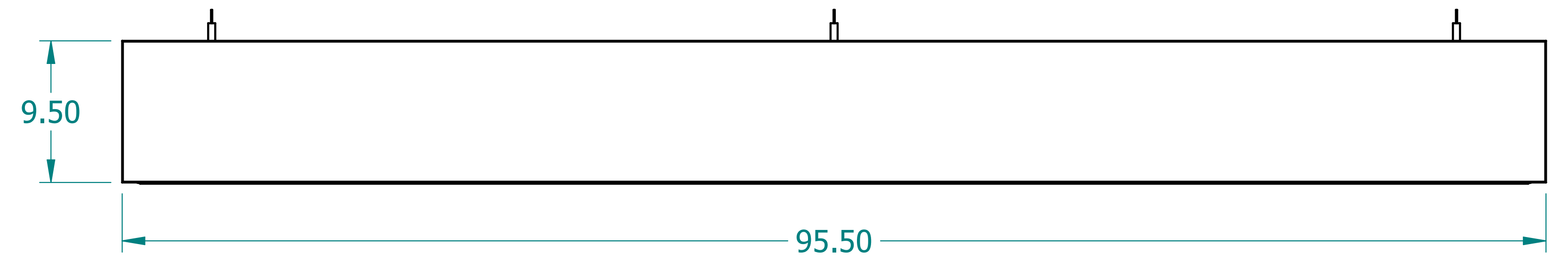
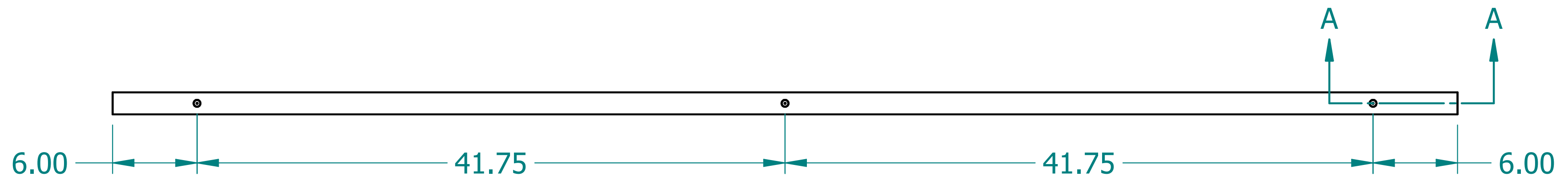
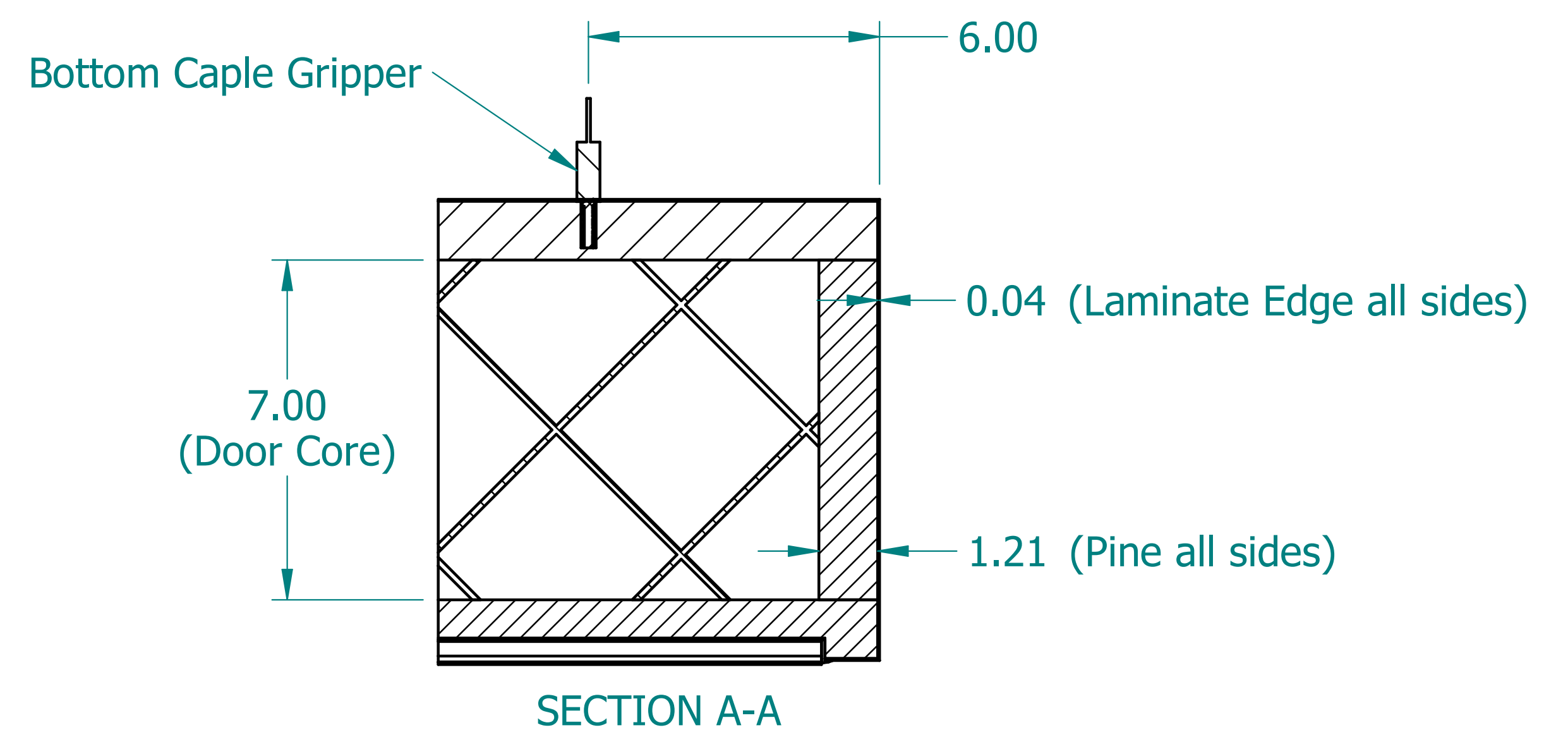
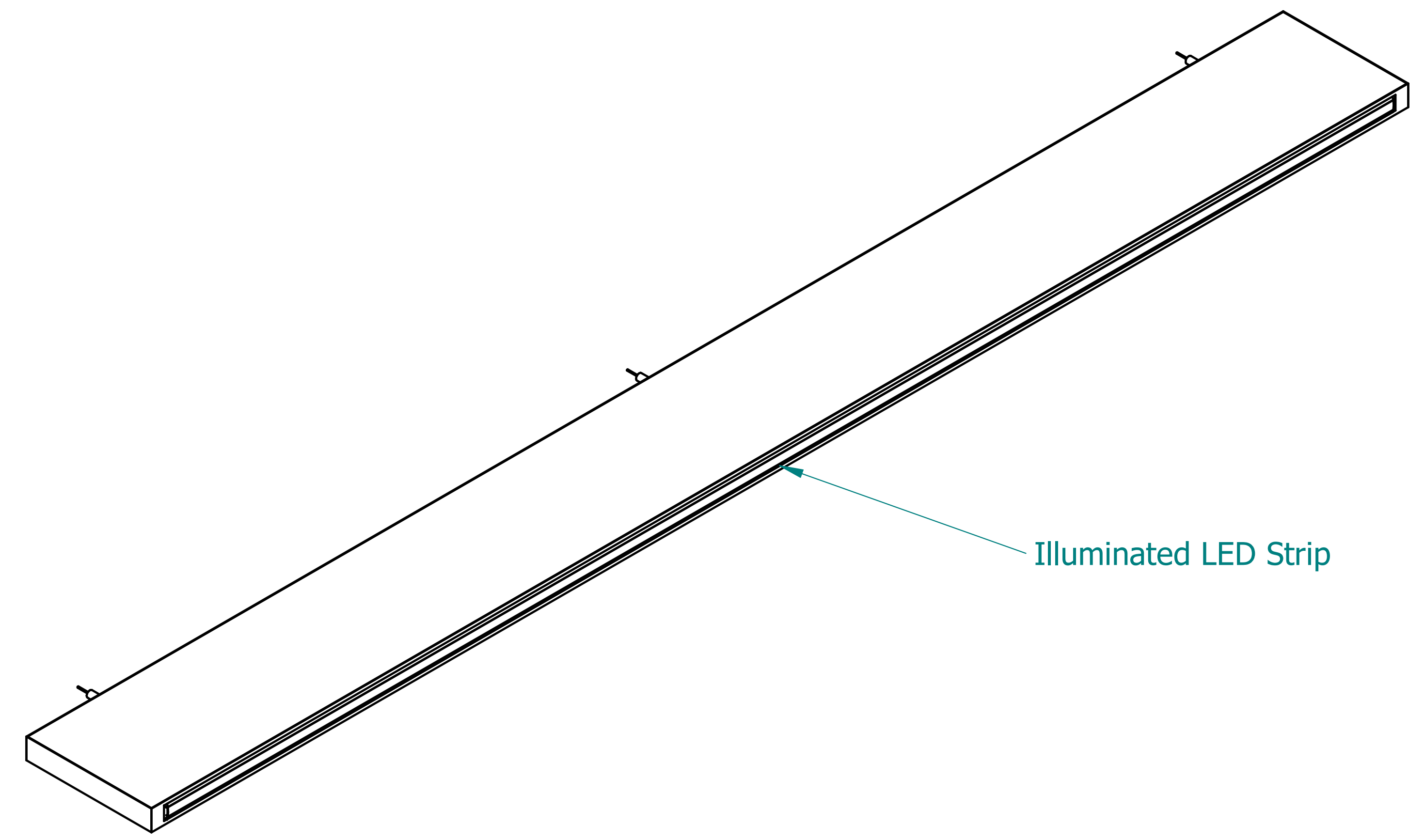


REVISION HISTORY			
REV.	DESCRIPTION	DATE	APPROVED



	NAME	DATE
DRAWN	CBS	12/18/23
ENG APPR	CBS	12/18/23



UNLESS OTHERWISE SPECIFIED DIMENSIONS ARE IN 'INCHES'  
 ANGLES  $\pm 0.8^\circ$ ; 2 PL  $\pm 0.040$ ; 3 PL  $\pm 0.020$

TITLE <b>Illuminated Laminate Beam</b>		
SUBTITLE 96"x10"x1.5"		
PART NO: IXBeam-075-XX	REV. 1.0	
SIZE: 34"x22"	SCALE: 0.17	SHEET 1 OF 1
FILE NAME: Illuminated Laminated Beam (96.10.1.5).dft		