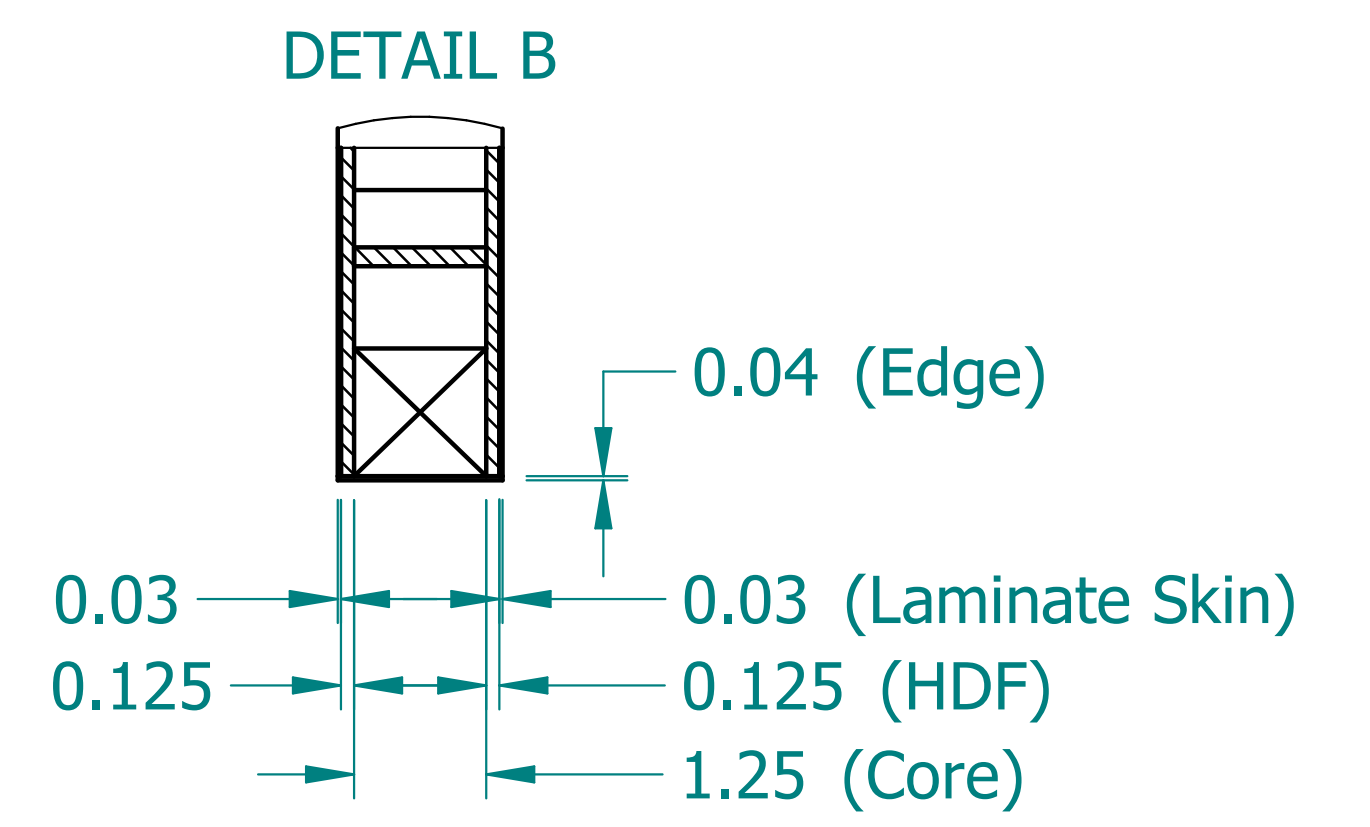
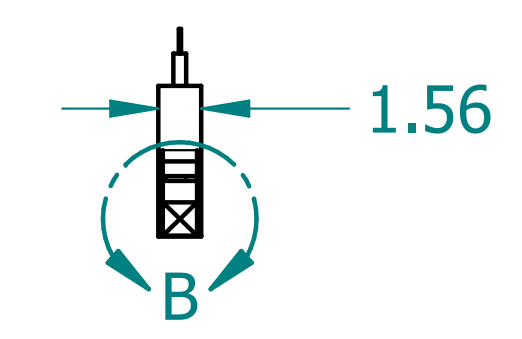
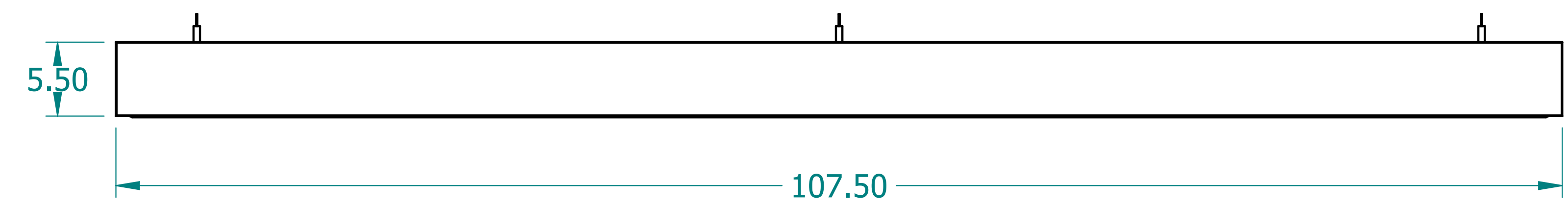
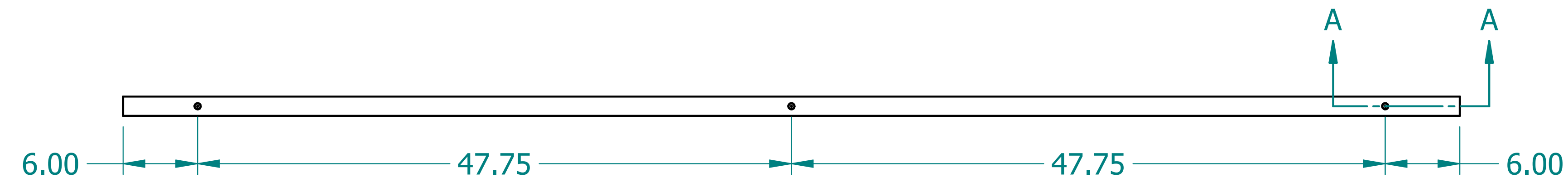
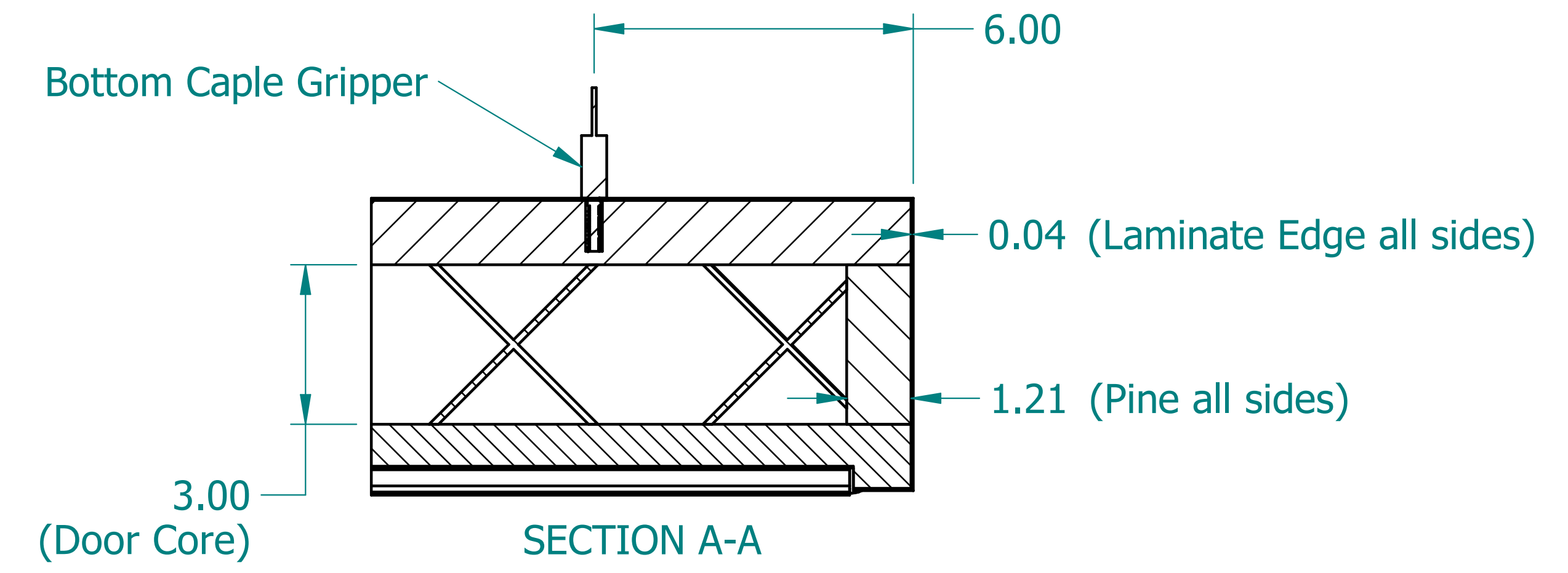
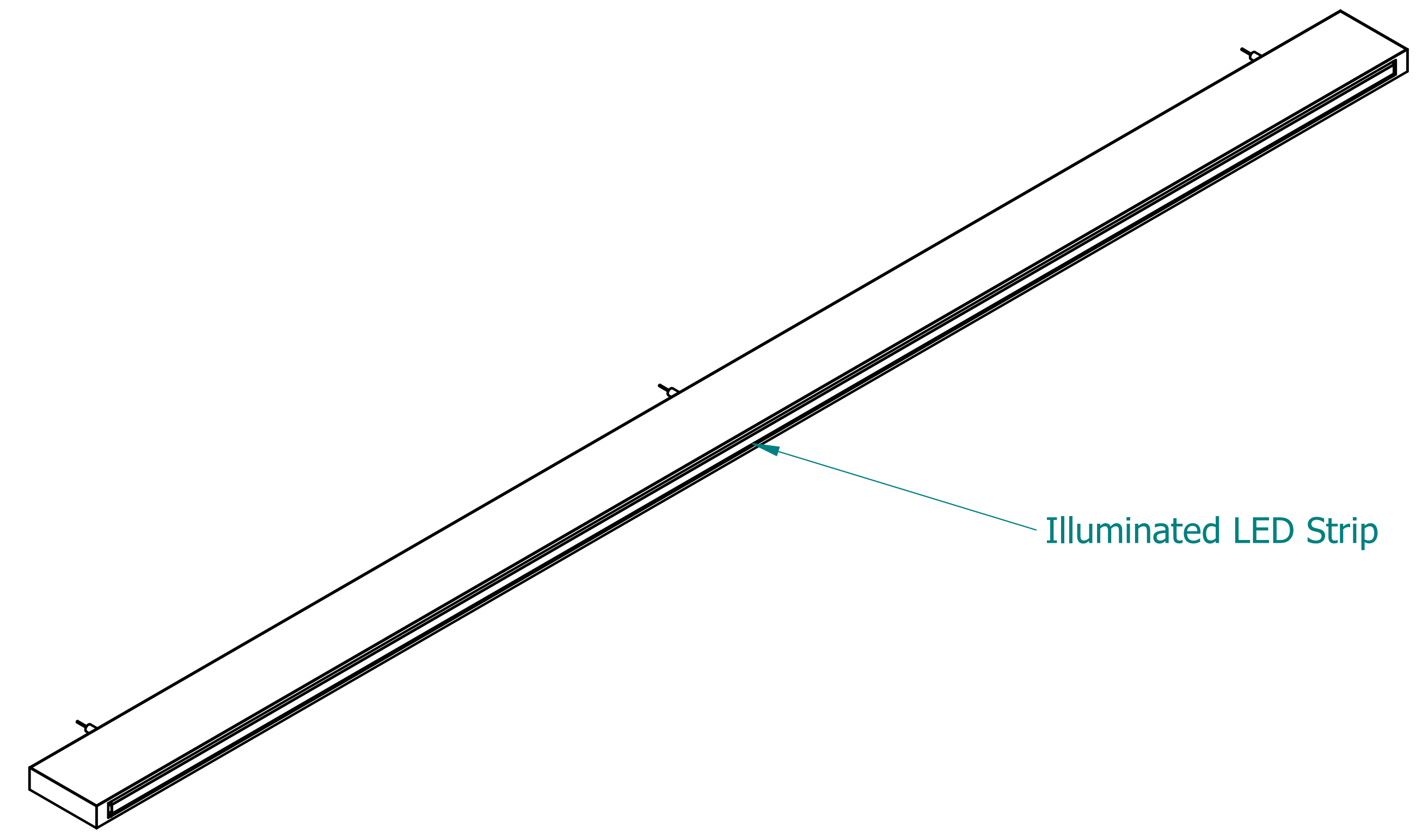


REVISION HISTORY			
REV.	DESCRIPTION	DATE	APPROVED



NAME	DATE	
DRAWN CBS	12/19/23	
ENG APPR CBS	12/19/23	
		TITLE
UNLESS OTHERWISE SPECIFIED DIMENSIONS ARE IN 'INCHES' ANGLES ±0.8° ; 2 PL ±0.040 ; 3 PL ±0.020		Illuminated Laminate Beam
		SUBTITLE
		108"x6"x1.5"
		PART NO:
		IXBeam-085-XX
		REV.
		1.0
		SIZE: 34"x22"
		SCALE: 0.14
		SHEET 1 OF 1
		FILE NAME: Illuminated Laminated Beam (108.6.1.5).dft