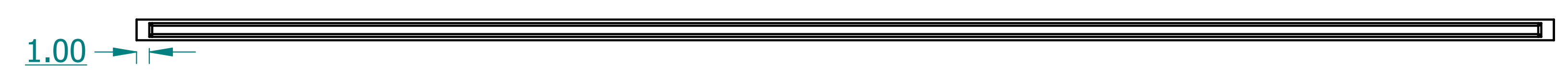
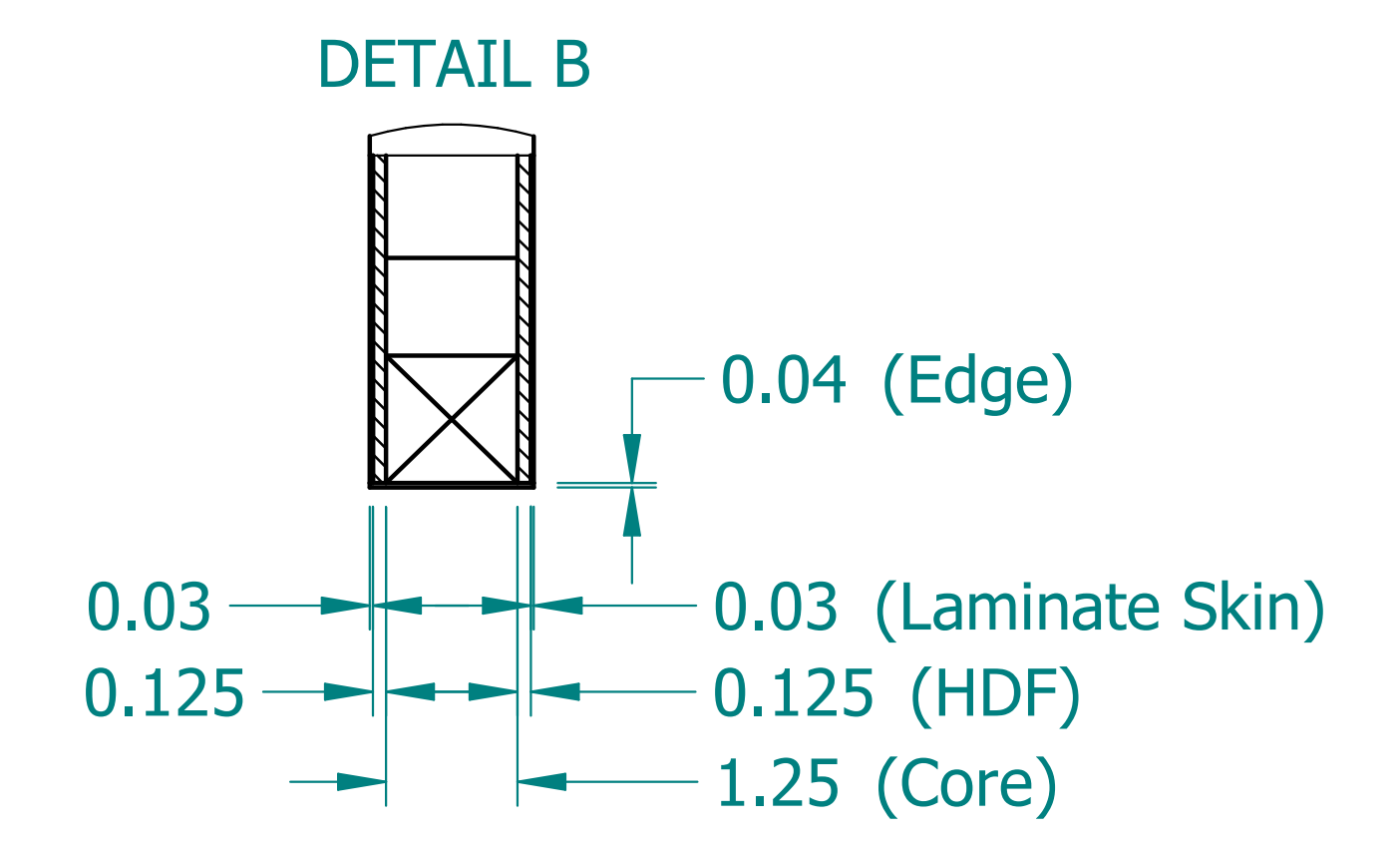
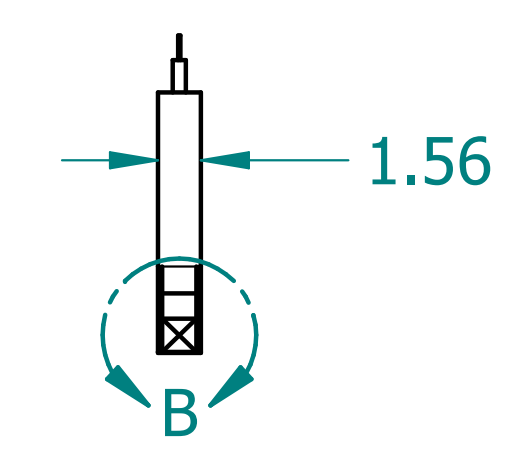
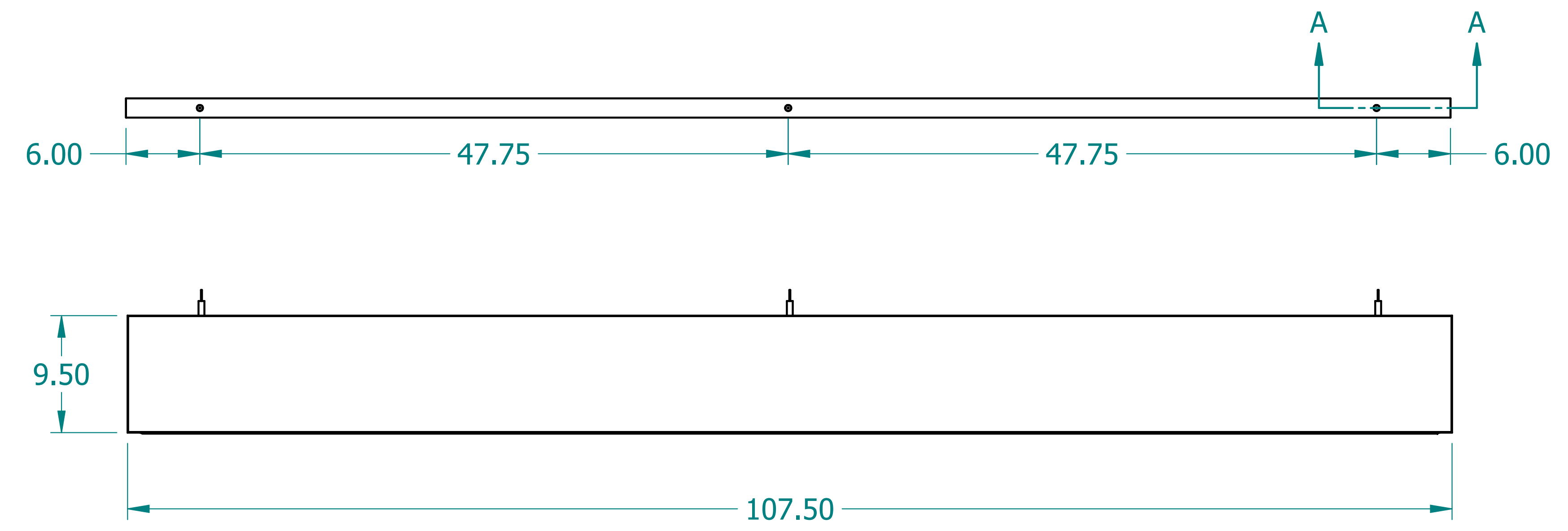
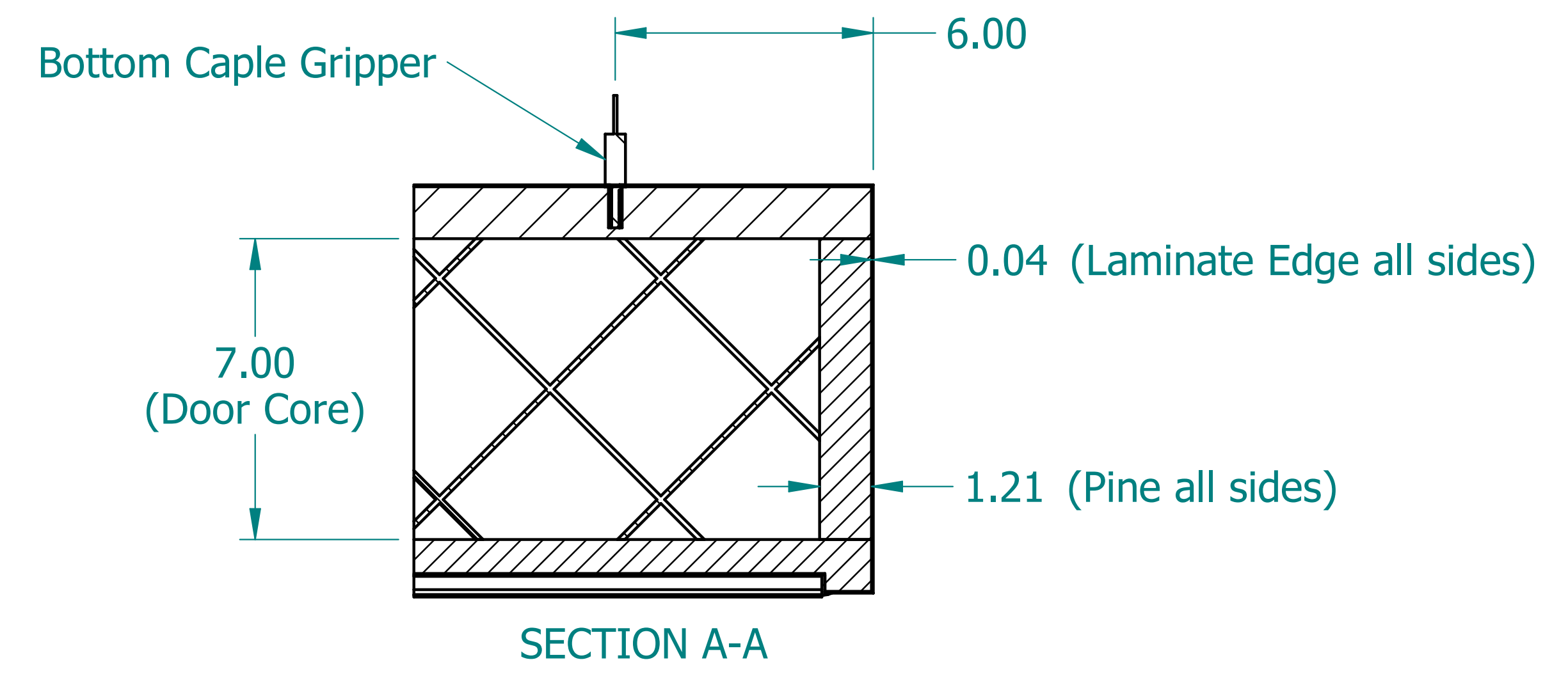
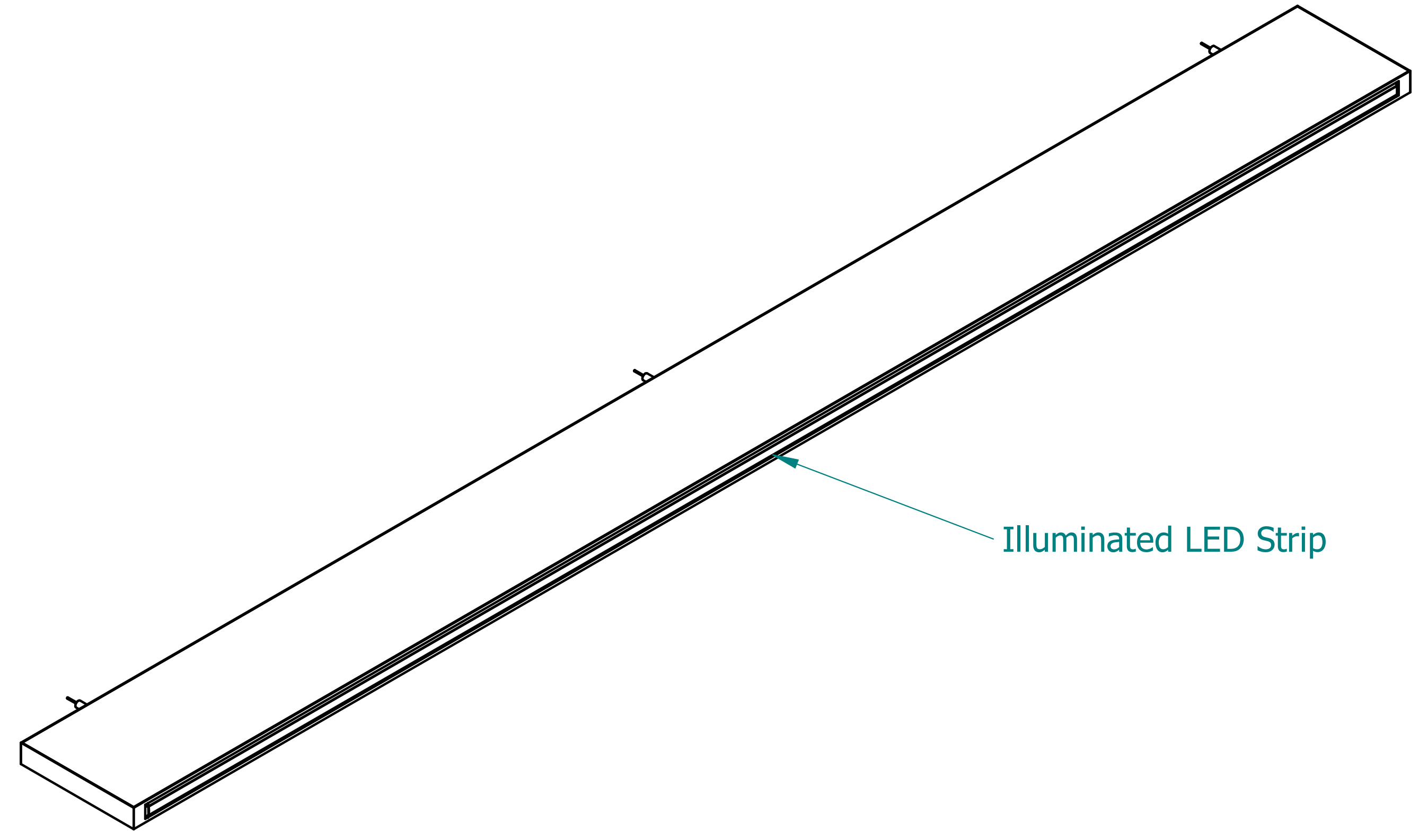


REVISION HISTORY			
REV.	DESCRIPTION	DATE	APPROVED



NAME	DATE	
DRAWN CBS	12/19/23	
ENG APPR CBS	12/19/23	
		TITLE Illuminated Laminate Beam
UNLESS OTHERWISE SPECIFIED DIMENSIONS ARE IN 'INCHES' ANGLES $\pm 0.8^\circ$; 2 PL ± 0.040 ; 3 PL ± 0.020		SUBTITLE 108"x10"x1.5"
PART NO: Beam-087-XX		REV. 1.0
SIZE: 34"x22"		SCALE: 0.14
SHEET 1 OF 1		FILE NAME: Illuminated Laminated Beam (108.10.1.5).dft