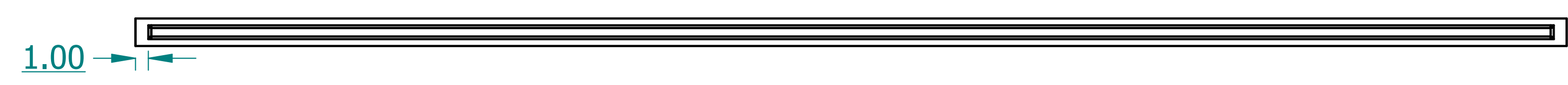
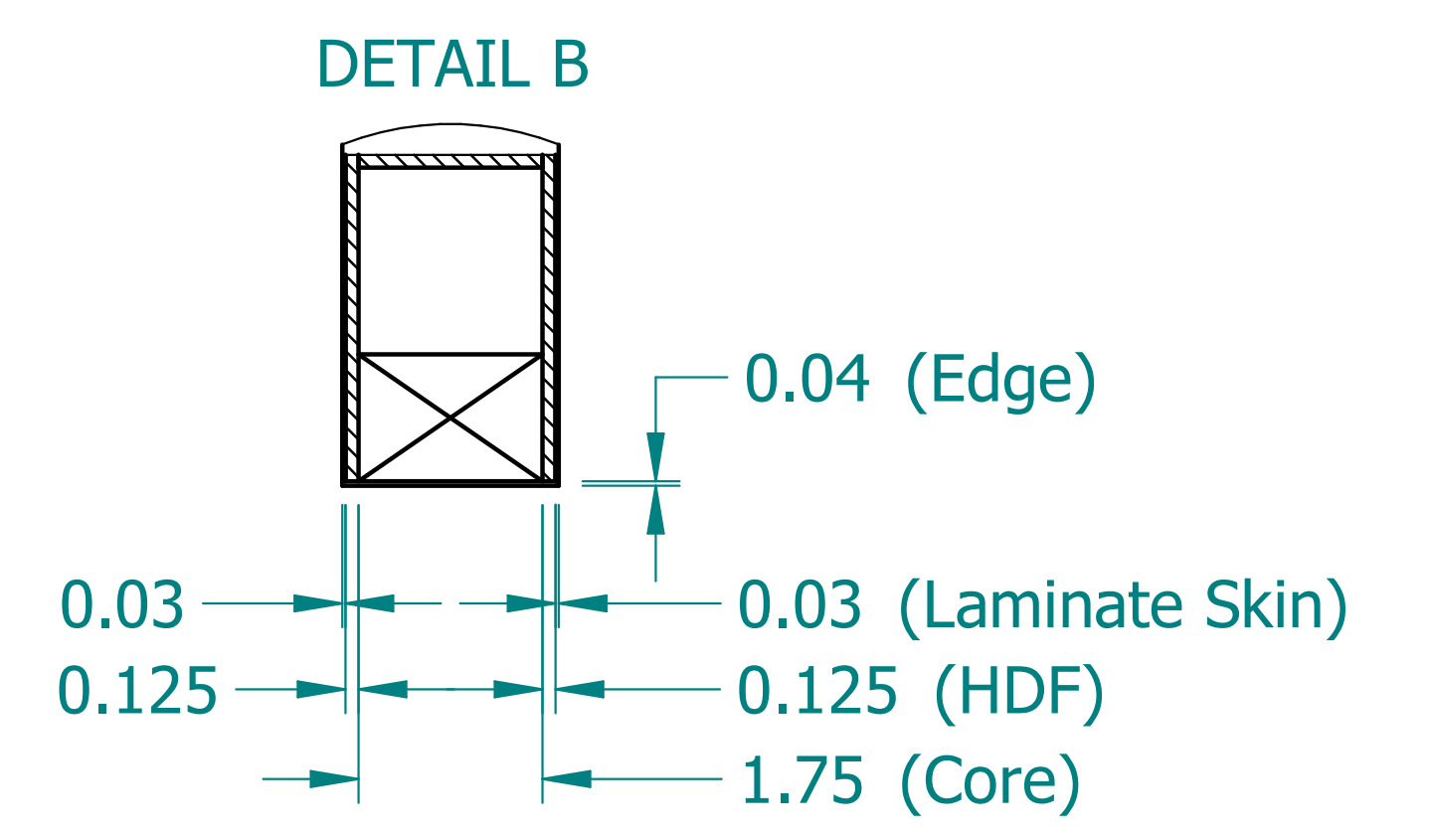
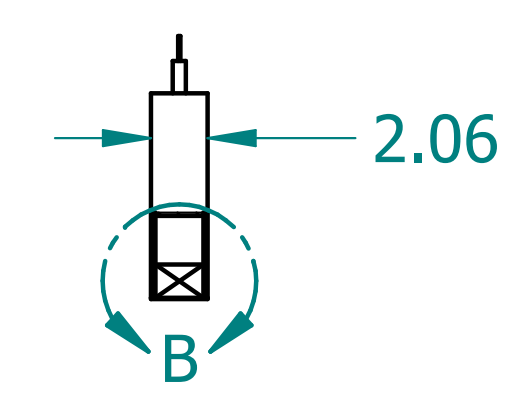
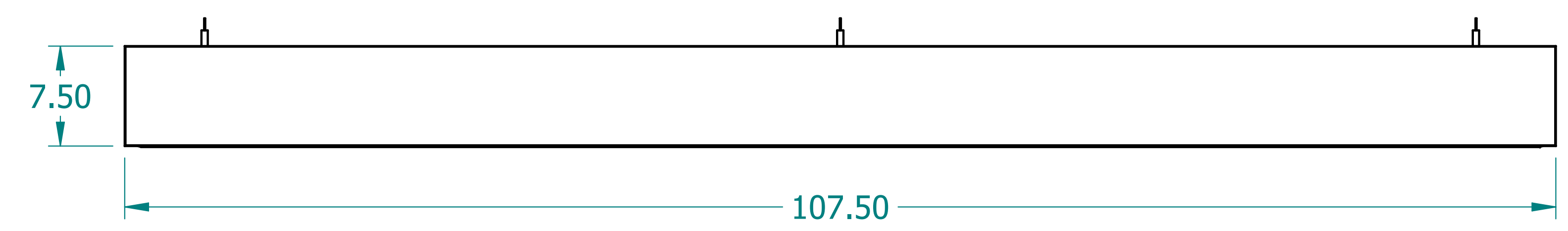
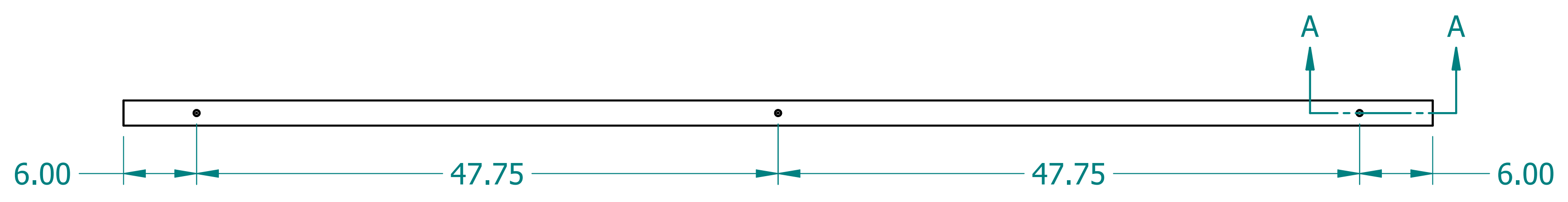
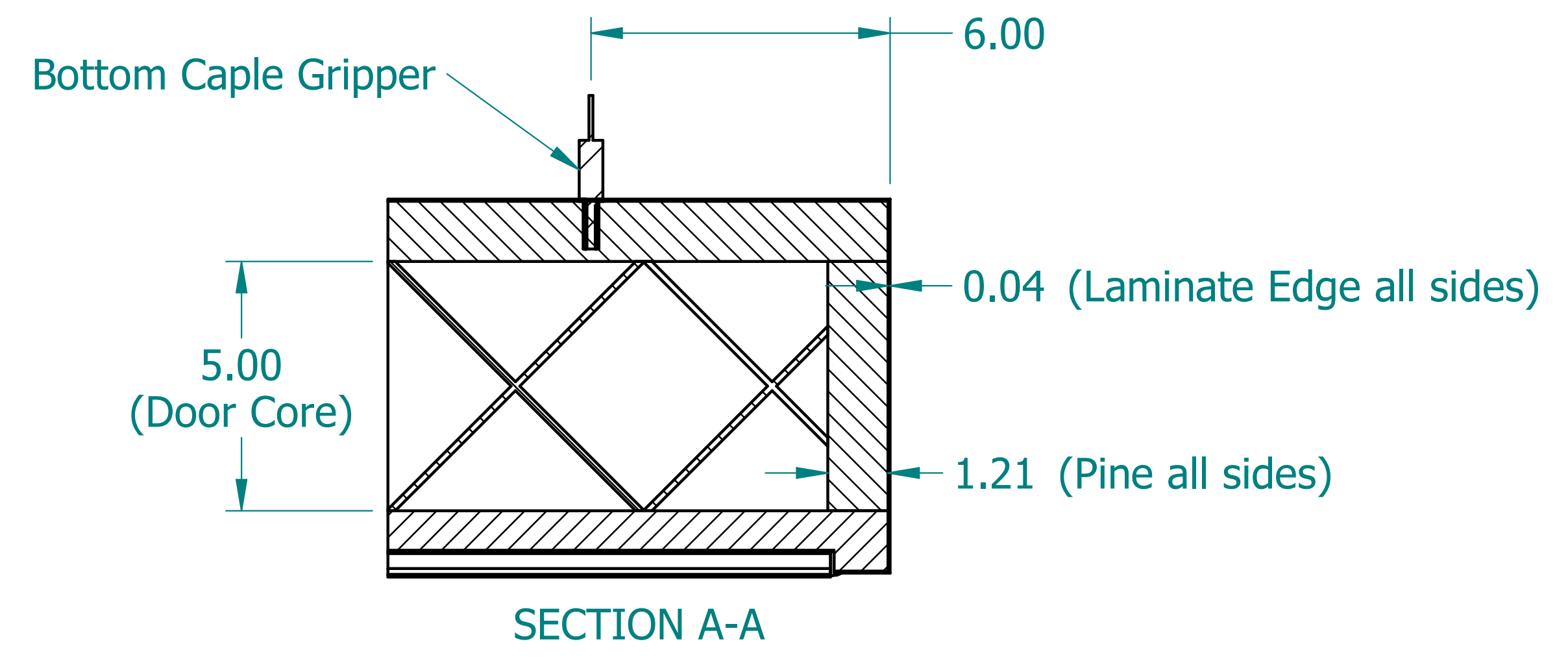
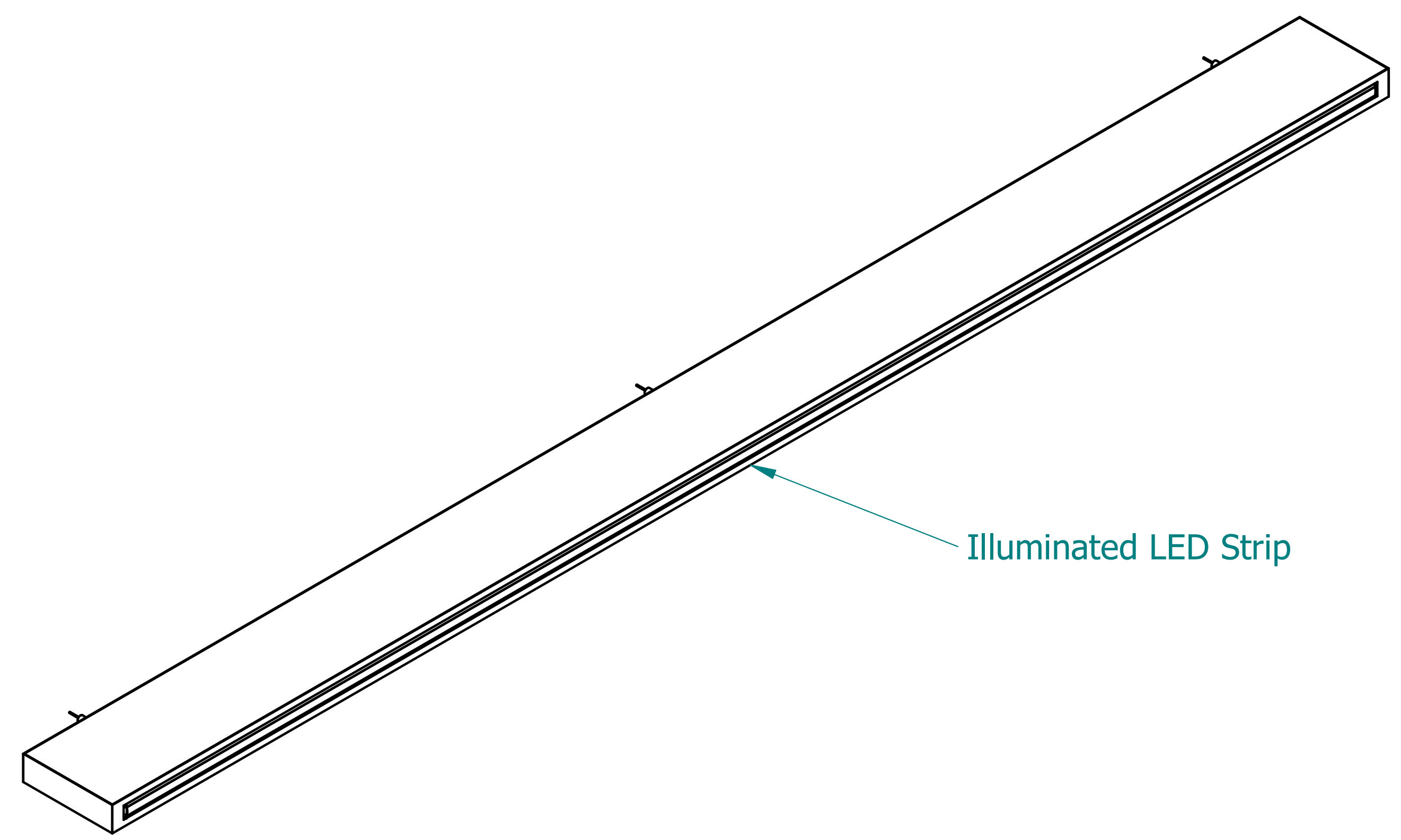


REVISION HISTORY			
REV.	DESCRIPTION	DATE	APPROVED



NAME	DATE	ALTISPACE	
DRAWN CBS	12/11/23		
ENG APPR CBS	12/11/23		
		TITLE Illuminated Laminate Beam	
UNLESS OTHERWISE SPECIFIED DIMENSIONS ARE IN 'INCHES' ANGLES $\pm 0.8^\circ$; 2 PL ± 0.040 ; 3 PL ± 0.020		SUBTITLE 108"x8"x2"	
		PART NO: IXBeam-090-XX	REV. 1.0
		SIZE: 34"x22"	SCALE: 0.14 SHEET 1 OF 1
FILE NAME: Illuminated Laminated Beam (108.8.2).dft			