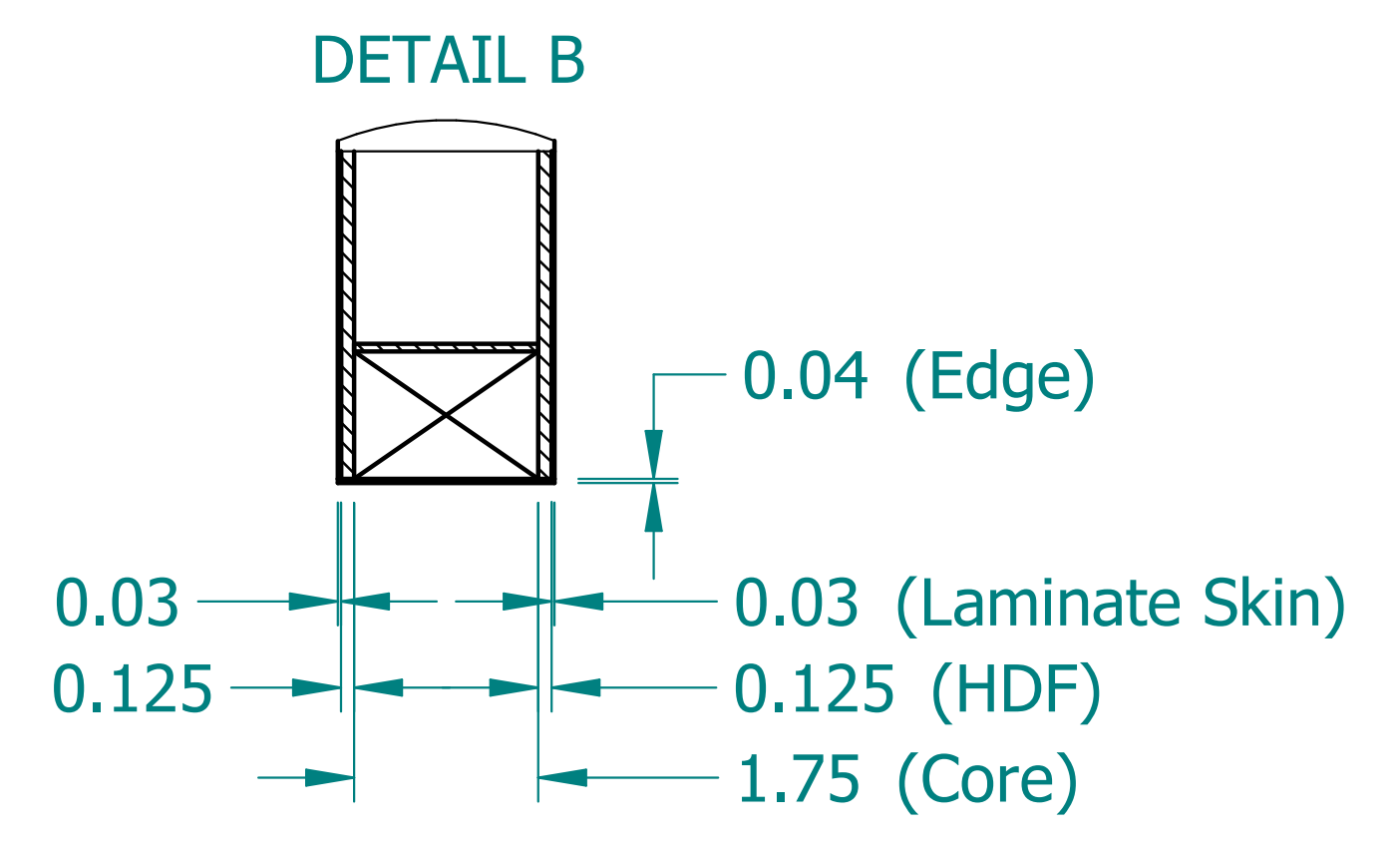
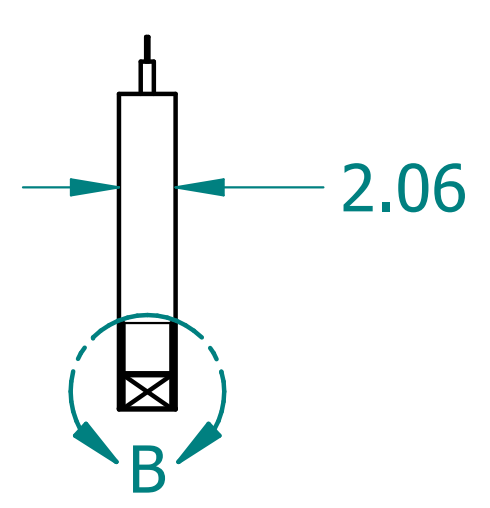
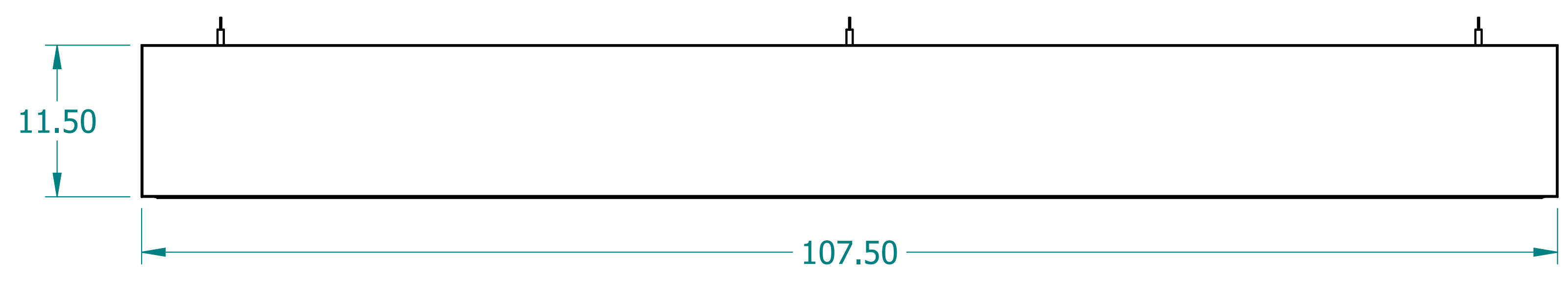
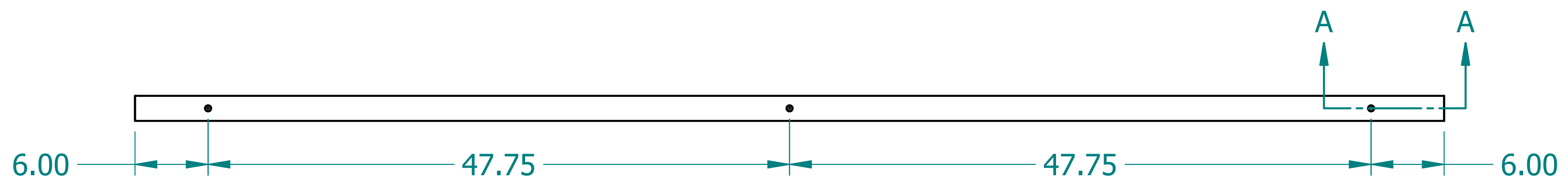
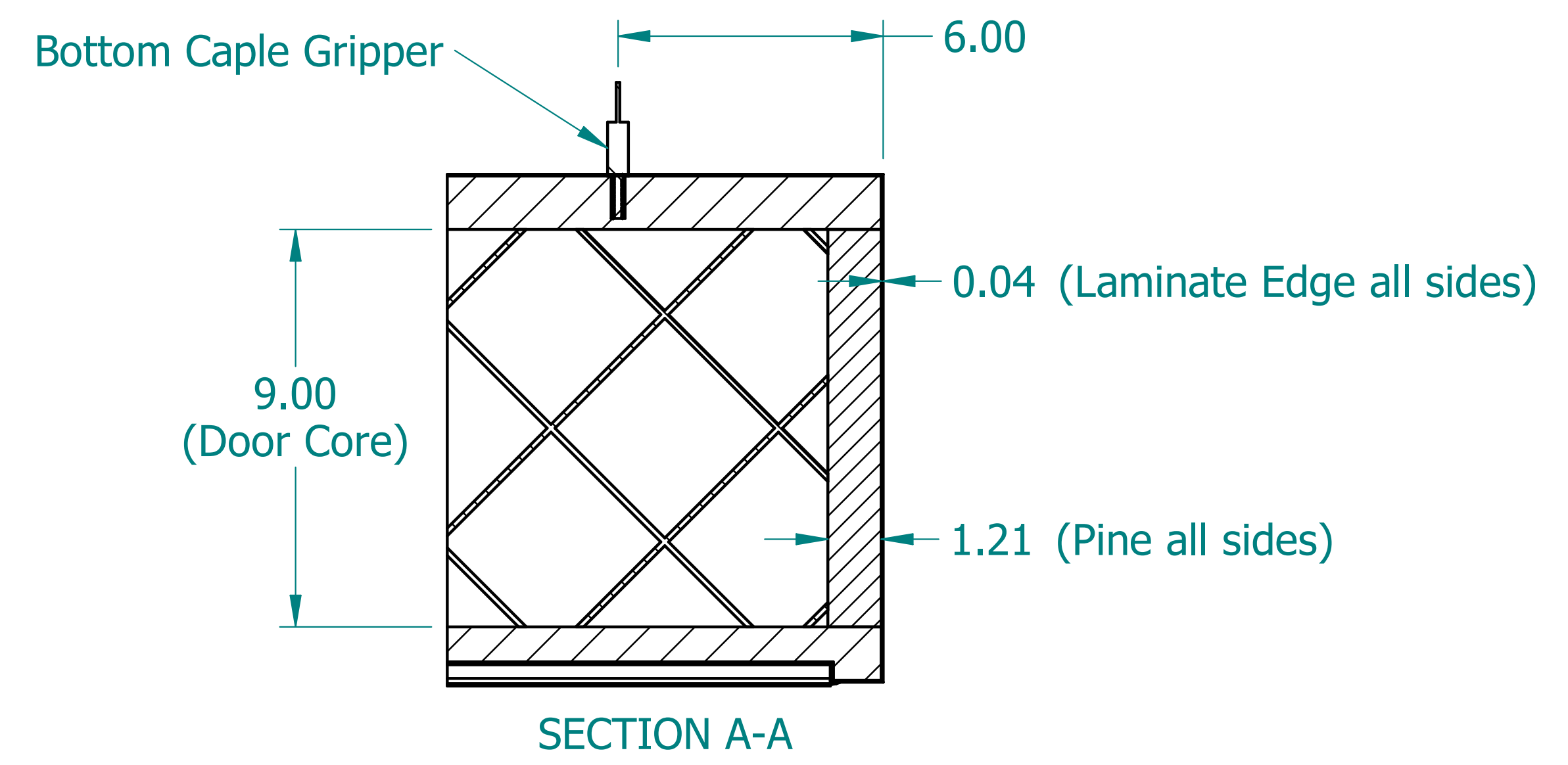
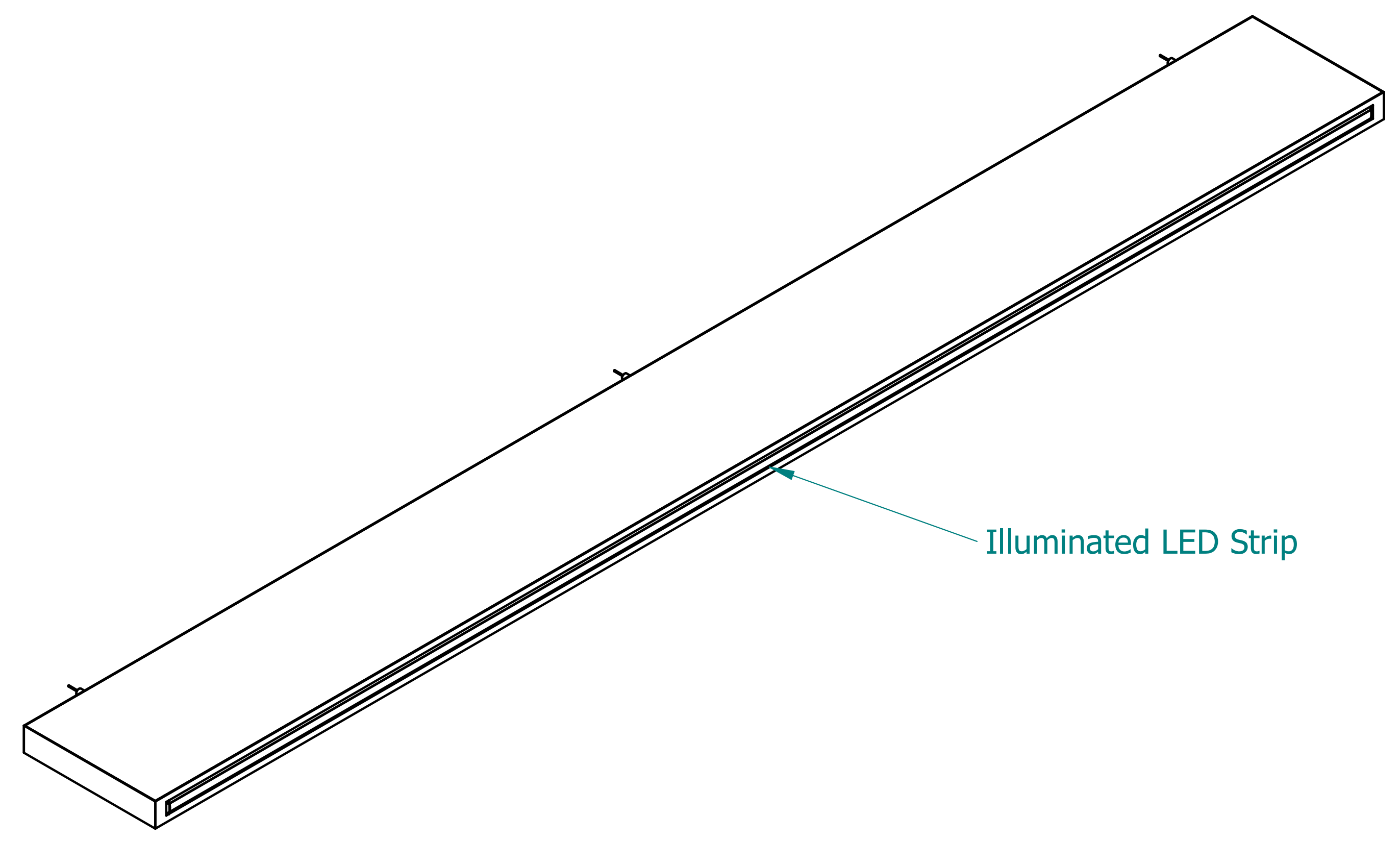


| REVISION HISTORY |             |      |          |
|------------------|-------------|------|----------|
| REV.             | DESCRIPTION | DATE | APPROVED |
|                  |             |      |          |



|   |          |  |
|---|----------|--|
| NAME  | DATE     |  |
| DRAWN CBS   | 12/11/23 |  |
| ENG APPR CBS  | 12/11/23 |  |
|   |          | TITLE  |
| UNLESS OTHERWISE SPECIFIED DIMENSIONS ARE IN 'INCHES'<br>ANGLES $\pm 0.8^\circ$ ; 2 PL $\pm 0.040$ ; 3 PL $\pm 0.020$ |          | <b>Illuminated Laminate Beam</b>                     |
|   |          | SUBTITLE   |
|   |          | 108"x12"x2"  |
|   |          | PART NO: IXBeam-092-XX                               |
|   |          | REV. 1.0   |
|   |          | SIZE: 34"x22" SCALE: 0.14 SHEET 1 OF 1               |
|   |          | FILE NAME: Illuminated Laminated Beam (108.12.2).dft |